



Key Feature

- IP video intercom kit for villa or house, only one call button
- DS-KD8003-IME1(B)/Surface x1
- DS-KH6320-WTE1 x1
- 4 port standard PoE switch x1
- 16GB TF card x1

Specification

Door station	
Operation system	Embedded Linux operation system
Flash	32 MB
RAM	256 MB
Door station	
Camera	2MP HD camera
Night vision	Low illumination IR supplement mode:3 m
Backlight compensation	Support
Digital noise reduction	Support
WDR	Support
Field of view	Horizontal: 146° , Vertical: 82°
Video Compression Standard	H.264
Motion detection	Support
Door station	
Audio input	Built-in omnidirectional microphone

Audio output	Built-in loudspeaker
Audio quality	Noise suppression and echo cancellation
Audio compression standard	G.711 U, G.711 A
Audio compression Rate	64 Kbps
Audio intercom	Two-way audio communication
Door station	
Network protocol	TCP/IP, RSTP
Wired network	10/100 Mbps Ethernet
Door station	
RS-485	1 (1 for Hikvision's sub module communication)
Network interface	1 RJ45
Alarm input	4 (2 exit buttons and 2 door contacts by default)
Debugging port	1
Lock control	2 (2 relay, max to 30 V, 2 A)
TAMPER switch	1
Power interface	12 VDC power output (max to 12 V, 150 mA)
Door station	
Power consumption	≤ 5 W
Working temperature	-40° C to 60° C (-40° F to 140° F)

Working humidity	10% to 95%
Dimension	Device: 98 mm × 100 mm × 42 mm (3.86" × 3.94" × 1.65") Cover: 117 × 107 × 4 mm (4.61" × 4.21" × 0.16") Installation Frame: 117 × 107 × 32.7mm (4.61" × 4.21" × 1.29")
Installation	Surface mounting
Protection level	IP65
Indicator	0
Power supply	IEEE802.3af, standard PoE 12 VDC

Indoor station	
Power consumption	≤ 6 W
Working temperature	-10 ° C to 55 ° C (14 ° F to 131 ° F)
Working humidity	10% to 90%
Dimension (L x W x H)	200 mm × 140 mm × 23.6 mm (7.9" × 5.5" × 0.9")

Available Model

DS-KIS602(B)

Indoor station	
Operation system	Embedded Linux operation system
Memory	128 MB
Flash	32 MB

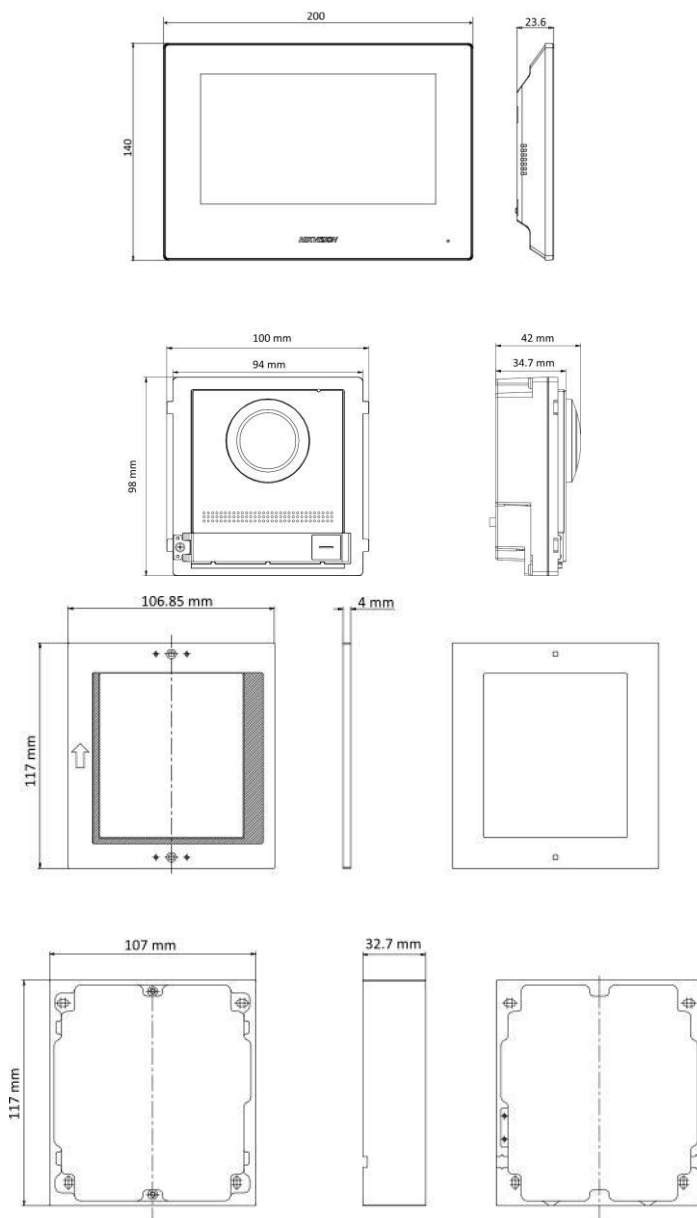
Indoor station	
Display screen	7-inch colorful TFT screen
Display resolution	1024 × 600
Operation method	Capacitive touch screen

Indoor station	
Audio input	Built-in omnidirectional microphone
Audio output	Built-in loudspeaker
Audio quality	Noise suppression and echo cancellation
Audio compression standard	G.711 U, G.711 A
Audio compression Rate	64 Kbps

Indoor station	
Wired network	10/100 Mbps self-adaptive
Wireless network	Wi-Fi 802.11 b/g/n
Protocol	TCP/IP, SIP, RTSP
RS-485	1 RJ-45 10/100 Mbps self-adaptive

Indoor station	
RS-485	1
Alarm input	8-ch alarm inputs
Relay output	2
TF card	Max to 32 G, SD 2.0 or lower version

Dimension



Headquarters

No.555 Qianmo Road, Binjiang District,
Hangzhou 310051, China
T +86-571-8807-5998
www.hikvision.com



Follow us on social media to get the latest product and solution information.

