

## DS-D5022FN-C 22-inch Monitor



- LED backlit technology with full HD 1920 × 1080.
- Wide viewing angle: Horizontal 178°, Vertical 178°.
- Multiple interfaces: HDMI, VGA.
- Image processing: 3D comb filter, 3D de-interlace, 3D noise reduction.



## ▪ Specification

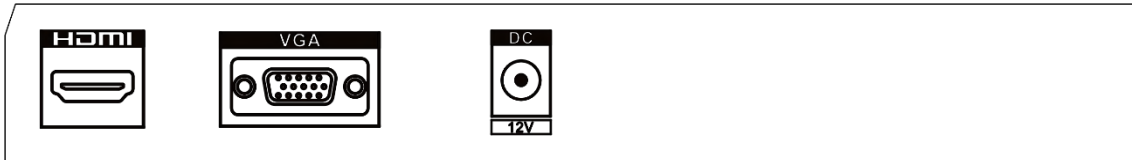
|                            | Model                          | DS-D5022FN-C  |
|----------------------------|--------------------------------|---|
| <b>Display</b>             | Screen Size                    | 21.5"   |
|                            | Active Display Area            | 478.656 (H) mm × 260.28 (V) mm  |
|                            | Resolution                     | 1920 × 1080   |
|                            | Backlight                      | E-LED   |
|                            | Pixel Pitch                    | 0.0831 (H) mm × 0.241 (V) mm  |
|                            | Brightness                     | 250 cd/m <sup>2</sup>   |
|                            | Viewing Angle                  | 178°/178°   |
|                            | Color Depth                    | 8 bit   |
|                            | Contrast Ratio                 | 3000:1  |
|                            | Response Time                  | 6.5 ms (typ)  |
|                            | Refresh Rate                   | 60 Hz   |
|                            | Haze                           | 25 %  |
|                            | Reliability                    | 7 × 16 H  |
|                            | Color Gamut                    | 72%   |
| <b>Interface</b>           | Video & Audio Input            | HDMI × 1, VGA × 1   |
| <b>Power</b>               | Power Supply                   | 12 VDC  |
|                            | Power Consumption              | ≤ 22 W  |
|                            | Standby Consumption            | ≤ 0.5 W   |
| <b>Working Environment</b> | Working Temperature            | 0 °C to 40 °C (32 °F to 104 °F)   |
|                            | Working Humidity               | 20% to 90% RH (Non-Condensing)  |
|                            | Storage Temperature            | -20 °C to 60 °C (-4 °F to 140 °F)   |
|                            | Storage Humidity               | 20% to 80% RH (Non-Condensing)  |
| <b>General</b>             | Casing Material                | Plastic   |
|                            | VESA                           | 75 mm × 75 mm, 4-M6 × 6 screw holes   |
|                            | Bezel Width                    | 19.06 mm (top/left/right), 30.87 mm (bottom)  |
|                            | Product Dimensions (W × H × D) | With base: 492.356 (W) mm × 390.11 (H) mm × 199.79 (D) mm (19.38" × 15.36" × 7.87")<br>Without base: 492.356 (W) mm × 289.680 (H) mm × 43.88 (D) mm (19.38" × 11.40" × 1.73")                     |
|                            | Package Dimensions (W × H × D) | 644 (W) mm × 108 (H) mm × 403 (D) mm (25.35" × 4.25" × 15.87")  |
|                            | Net Weight                     | 2.5 ± 0.5 kg (5.5 ± 1.1 lb.)  |
|                            | Gross Weight                   | 3.8 ± 0.5 kg (8.4 ± 1.1 lb.)  |
|                            | Packing List                   | Power adapter × 1, RoHS certificate × 1, base bracket × 1, user manual × 1, quick start guide × 1, HDMI cable × 1   |
|                            | Remarks                        | *The base is included by default.<br>*The product appearance and parameters in this specification may vary from your actual device. Please consult our local sales staff for further information. |

▪ **Available Model**

DS-D5022FN-C

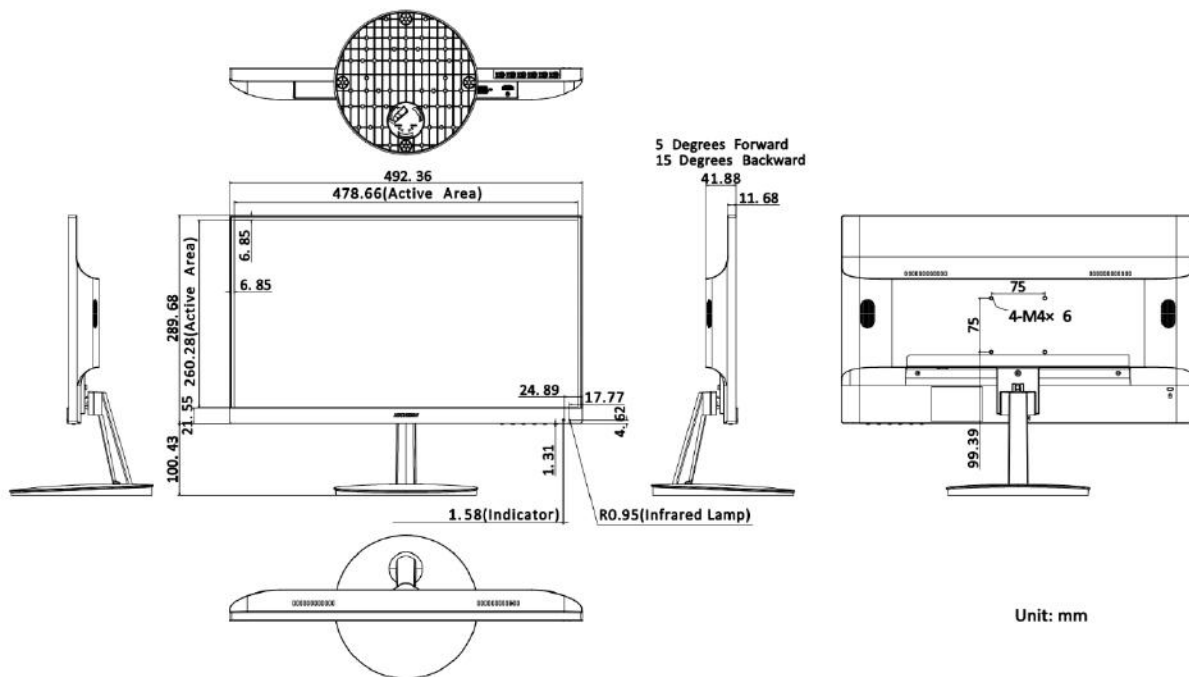
▪ **Physical Interface**

▪



| Interface | Description               |
|-----------|---------------------------|
| HDMI      | HDMI digital signal input |
| VGA       | VGA analog signal input   |
| DC 12V    | 12 VDC power supply       |

## Dimension



Distributed by



## HIKVISION®

### Headquarters

No.555 Qianmo Road, Binjiang District,  
Hangzhou 310051, China  
T +86-571-8807-5998  
overseasbusiness@hikvision.com

**Hikvision USA**  
T +1-909-895-0400  
sales.usa@hikvision.com

**Hikvision Australia**  
T +61-2-8599-4233  
salesau@hikvision.com

**Hikvision India**  
T +91-22-28469900  
sales@pramahikvision.com

**Hikvision Canada**  
T +1-866-200-6690  
sales.canada@hikvision.com

**Hikvision Thailand**  
T +662-275-9949  
sales.thailand@hikvision.com

**Hikvision Europe**  
T +31-23-5542770  
sales.eu@hikvision.com

**Hikvision Italy**  
T +39-0438-6902  
info.it@hikvision.com

**Hikvision Brazil**  
T +55 11 3318-0050  
Latam.support@hikvision.com

**Hikvision Turkey**  
T +90 (216)521 7070- 7074  
sales.tr@hikvision.com

**Hikvision Malaysia**  
T +601-7652-2413  
sales.my@hikvision.com

**Hikvision UK & Ireland**  
T +01628-902140  
sales.uk@hikvision.com

**Hikvision South Africa**  
Tel: +27 (10) 0351172  
sale.africa@hikvision.com

**Hikvision France**  
T +33(0)1-85-330-450  
info.fr@hikvision.com

**Hikvision Kazakhstan**  
T +7-727-9730667  
nikia.panfilov@hikvision.ru

**Hikvision Vietnam**  
T +84-974270888  
sales.vt@hikvision.com

**Hikvision UAE**  
T +971-4-4432090  
salesme@hikvision.com

**Hikvision Singapore**  
T +65-6684-4718  
sg@hikvision.com

**Hikvision Spain**  
T +34-91-737-16-55  
info.es@hikvision.com

**Hikvision Tashkent**  
T +99-87-1238-9438  
uzb@hikvision.ru

**Hikvision Hong Kong**  
T +852-2151-1761  
info.hk@hikvision.com

**Hikvision Russia**  
T +7-495-669-67-99  
sateru@hikvision.com

**Hikvision Korea**  
T +82-(0)31-731-8817  
sales.korea@hikvision.com

**Hikvision Poland**  
T +48-22-460-01-50  
info.pl@hikvision.com

**Hikvision Indonesia**  
T +62-21-2933759  
Sales.Indonesia@hikvision.com

**Hikvision Colombia**  
sales.colombia@hikvision.com