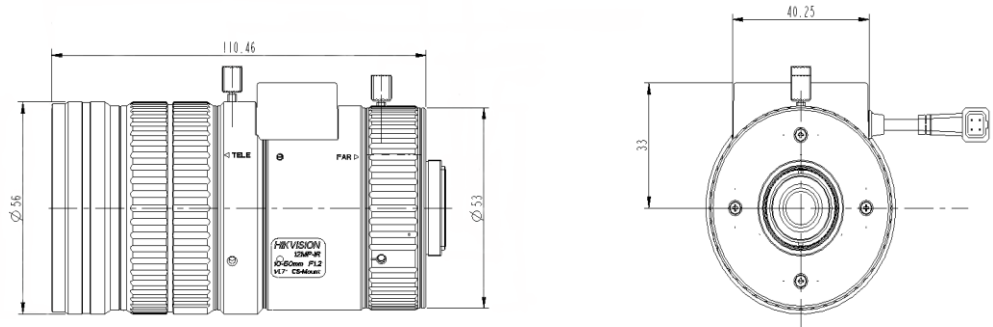




CCTV LENS SPEC

Model NO.		HV1050D-12MPIR		Specification	Vari-focal DC Auto Iris Constant Aperture 12MP IR
Focal length		10-50mm		Mount	CS-Mount
F number		F1.2-C		Flange Back Length	12.5mm
Max. Image format		Φ9.2mm (1/1.7")		M. O. D	0.3m
Control	Iris	DC Auto Iris		Dimension	Φ56*110.46mm
	Focus	Manual		Weight	470.1g
	Zoom	Manual		Operating Temperature	-20~60°C
Field of View	D	1/1.7"	50.4° ~11.8°	1/2"	44.8° ~10.5°
	H		39.8° ~9.4°		38.6° ~9.2°
	V		29.4° ~7.1°		21.3° ~5.2°

Dimension



Lens Picture

