

HD PRO SERIES

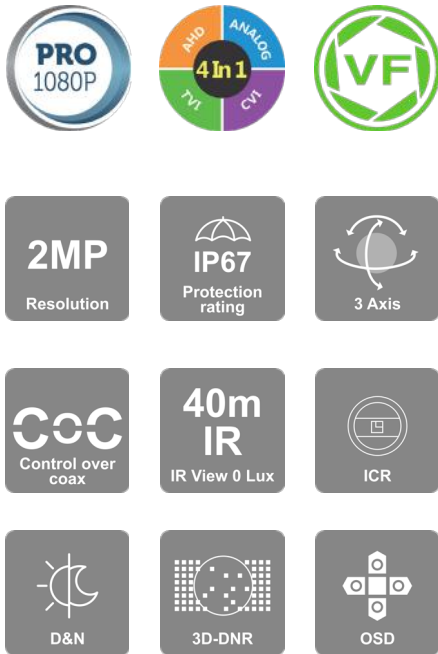
Series dedicated to the installer who's looking for a high-level camera making the difference in terms of image quality.



DI-320A-VF

40M IR 1080P PRO HD ANALOG VARI-FOCAL LENS DOME/TURRET CAMERA

Equipped with a 2.8-12mm varifocal lens, this 2MP dome/turret camera is designed for medium distance surveillance (up to 40m) for both indoor and outdoor scenarios. Featuring 4in1 technology selectable by a protected DIPswitch the camera is ideal for Plug & Play over existing analog infrastructure.



MAIN FEATURES

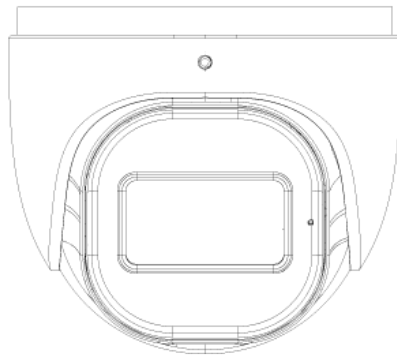
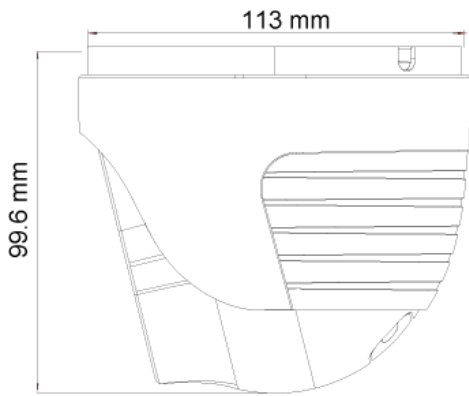
- 2MP
- Pro Series
- 1920x1080 Resolution
- 2.8-12mm Varifocal (88°-33°)
- 3D-DNR
- 4 in 1 (DIP Switch AHD/TVI/CVI/CVBS + PAL/NTSC)
- IP67
- COC support



SPECIFICATIONS

Image Sensor	1/2.9" 2MP Sensor
Image Format	16:9
Effective Pixels	1936x1096
Scanning System	Progressive
Resolution	2MP: 1920x1080 AHD/TVI/CVI 1MP: 1280x720 AHD/TVI/CVI CVBS: 700TVL
FPS	25/30FPS
Min. Illumination	Color: 0.005lux @F1.2, AGC ON B/W: 0lux with IR"
D&N	True Day&Night-ICR
IR LED	3 LED Array (40m)
OSD Menu	Available via CoC Only
CoC Support	Yes
Day & Night Mode	Ext/Auto/Day/Night
Backlight Compensation	No
S/N Ratio	≥52dB (AGC OFF)
White Balance	Auto / Manual
Noise Reduction	3D-DNR
Video Output	2MP / 1MP (Selected by OSD Menu) AHD/TVI/CVI/CVBS + PAL/NTSC (Selected by DIP Switch)
Privacy Mask	No
D-Effect	No
WDR	No
Lens (Field Of View)	2.8-12mm Mega-Pixel Vari-Focal (88°-33°)
Power	DC12V/620mA
Operation Temperature	-30°C ~ 50°C, 10% ~ 90% humidity
Protection Rate	IP67
Dimensions	Φ113*99.6mm
Net Weight	695g
Junction Box	PR-JB14IP66 - PR-JB14IP64 - PR-WB-A

DIMENSIONS



DIP Switch for Output Selection

ACCESSORIES



PR-JB14IP66
Large Water-proof Junction Box



PR-JB14IP64
Large Junction Box



PR-WB-A
Designed Wall Bracket