

IP SMART-SIGHT SERIES

Provision-ISR SMART-SIGHT Series includes high performances AI CAMERAS, designed for specific purposes and applications. All the devices' components (from the sensor, to the optics, through the CPU and even the lighting) were especially selected to deliver the most accurate AI result for the required application.



BX-321FR

2MP FACE DETECTION/RECOGNITION BOX CAMERA

This 2MP Face detection/recognition box camera has been designed for special requirements such as attendance control, tracking by face, vip greetings and more. Thanks to its advanced algorithm and strong processor, the BX-321FR makes an ideal solution for scenarios where facial recognition is required.



SMART FACE
FACE RECOGNITION CAMERAS



MAIN FEATURES

- 2MP
- 1920x1080 Resolution
- 3D-DNR
- Face Recognition
- Face Detection
- 2-Way Audio
- 2 Alarm in + 2 Alarm Out

ANALYTICS

- General Analytics: Camera Tampering
- AI Analytics: Face Detection, Face Recognition***



SPECIFICATIONS

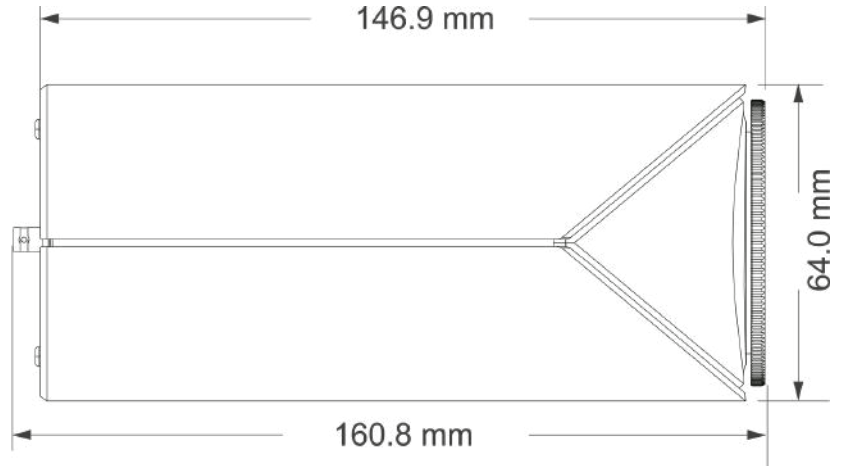
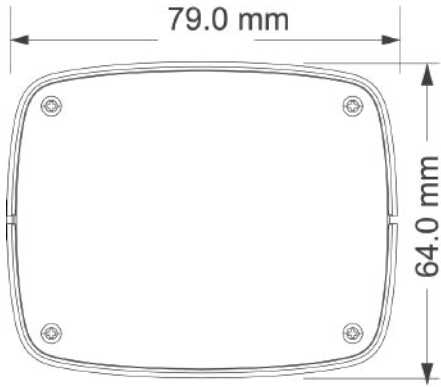
Image Sensor	1/2.8" CMOS (16:9)
Effective Pixels	1920x1080
Electronic Shutter	1/3s ~ 1/10000s
Frame Rate	1-25/30FPS In Normal Mode. 1-50/60FPS in HFR Mode
Day & Night	ICR
Min. Illumination	Day: 0.0026lux / Night: 0.001lux(@F1.4, AGC On)
Audio compression	G.711A/G.711U
Communication	2-Way Audio
Image Settings	AWB, AGC Adjustable, Exposure Mode (Auto), Sharpness, Saturation, Brightness & Contrast Adjustable
Image Enhancement	True WDR (120dB), BLC, HLC, ROI
Noise Reduction	3D-DNR
Image Orientation	Mirror/Flip
Privacy Zone	Yes
Motion Detection	Yes
Analytics	General Analytics: Camera Tampering AI: Face Detection, Face Recognition***
Face database	Up to 10000 faces***Add face via WEB or VMS***
Triggers	Snapshot / Email / FTP for allow/black lists***
Recognition per second	Up to 10 face detections and 3 face recognitions per second***
Recognition distance	Recommended distance: Depends on lens
Video Compression	H.265 / H.264 / MJPEG**
Resolution	1080P (1920x1080), 720P (1280x720), D1, CIF ,480x240
Multi-Stream	1920x1080(1~30fps) / 1280x720(1~30fps) / D1(1~30fps) / CIF(1~30fps) / 480x240(1~30fps) / QCIF(1~30fps)
Bit rate	64Kbps ~ 12Mbps@H.265 / 128Kbps ~ 12Mbps@H.264
Encode Mode	VBR/CBR
Image Quality	Five levels under VBR; Free adjustment under CBR

Sub-Streams Only, *Future development

SPECIFICATIONS

IR Distance	N/A
Lens (Field of View)	N/A
Iris	N/A
Lens Mount	CS MOUNT
Protection Rate	None
Bracket	No
Dimensions	79×153×64mm
Weight (gross)	640g
Network	RJ45 (+PoE)
Power	DC Socket
Analog Video Output	CVBS (BNCx1)
Audio Connectivity	1Ch Input, 1Ch Output, 1Ch Built in mic
SD Card	Support Event recording over TF (128GB Max)
Hard Reset Button	Yes
Alarm	2Ch Input, 2Ch Output
Remote Monitoring	IE Browsing, CMS Software, Provision Cam2 Mobile App
User Access	Supports simultaneous monitoring for up to 4 users with multi-stream real time transmission
Network Protocol	TCP/IP, UDP, DHCP, NTP, RTSP, PPPoE, DDNS, SMTP, FTP, SNMP
ONVIF	Yes
Ethernet	100Mbps
PoE	Yes
Power Supply	DC12V~320mA / AC24V~160mA / PoE~6W
Work Environment	-10C°~50C°, 10%~90% Humidity
Junction Box	no

DIMENSIONS



IMAGES

