

PSC series power supply

Switch mode power supply 12VDC, IP67



CODE: **PSC12010**
 TYPE: **PSC 12V/1A/55MM switch mode power supply**

EN*

Features of the power supply unit:

- power output 1A/12VDC
- universal AC input voltage range 90÷264V
- high efficiency 78%
- standby power <0,3W
- efficiency level: V
- IP 67 case
- protections:
 - SCP short-circuit protection
 - overvoltage protection (AC input)
 - overload (OLP)



DESCRIPTION

The PSU is intended for 230V AC mains supply to CCTV cameras that require stabilised voltage of **12 V DC**. The PSU can be assembled in installation boxes, surface or flush-mounted, or fitted with 3mm screws. The unit is protected against a short circuit and an overload and a surge.

SPECIFICATIONS

Supply voltage	90 ÷ 264 V AC 50÷60Hz
Current consumption	0,13A@230VAC max.
Supply power	12W max.
Efficiency	78%
Output voltage	12V DC
Output current	1 A
Output current $t_{AMB}=30^{\circ}\text{C}$	1 A - refer to graph.1
Output current $t_{AMB}=40^{\circ}\text{C}$	0,7 A - refer to graph.1
Ripple voltage	100mV p-p max.
Short-circuit protection SCP	electronic, automatic recovery
Overload protection OLP	105-150% of power supply, automatic recovery
IP protection class	IP67
Operation conditions	temperature $0^{\circ}\text{C}\div 40^{\circ}\text{C}$ relative humidity 20%...90%
Dimensions (LxWxH)	50 x 48 x 25 [mm]
Net/gross weight	0,09kg / 0,125kg
Protection class PN-EN 60950-1:2007	II (second)
Length of DC cable	0,5m + plug DC5,5/2,1 female
Length of AC cable	0,3 m
Storage temperature	-20°C...+60°C

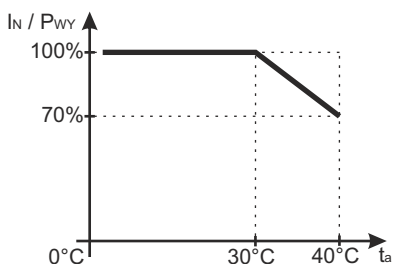


Chart 1.
Relation between output current and ambient temperature.

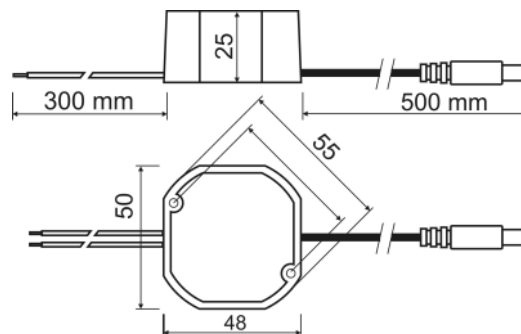
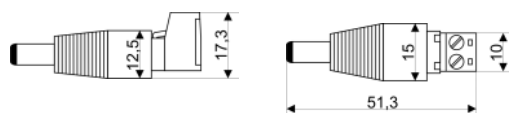


Fig.1.
Mechanical view and dimensions of the PSU.

ACCESSORIES

ACCESSORIES :
 [1] adapter CABLE - PLUG DC 5,5/2,1 - code ML109



Available accessories for the power supplies are: fuse blocks and cable adapters. For details – visit www.pulsar.pl