

P&T MOTORS, BRACKETS

WCWA CORNER MOUNT ADAPTOR

Made of steel

Load rating: 30kg (66lb)



WCWA

WCWGC CORNER MOUNT ADAPTOR

Made of steel

Load rating: 50kg (110lb)



WCWGC

PTAC WALL MOUNT BRACKET

Made of aluminium

Load rating: 35kg (77lb)

Length: 360mm (14.2in)



PTAC

PTCC1 POLE MOUNT ADAPTOR

Made of aluminium

For pole diameters: from 80mm (3.1in) up to 150mm (5.9in)

Load rating: 50kg (110lb)



PTCC1

WFWBTA PARAPET BRACKET

Made of aluminium

Load rating: 50kg (110lb)

Length: 185mm (7.3in)



WFWBTA

WSFPA POLE MOUNT ADAPTOR

Made of aluminium

Load rating: 30kg (66lb)

For pole diameters: 65÷110mm (2.6÷4.3in)



WSFPA

WCPA REINFORCING SUPPORT PLATE FOR POOR CONSISTENCY WALLS

Made of aluminium

Available with a supporting box with internal cable channel

Load rating: 50kg (110lb)



WCPA

TECHNICAL DATA

WCWA CORNER MOUNT ADAPTOR

Made of steel

Load rating: 30kg (66lb)

PART NUMBER

WCWA Corner mount adaptor

PACKAGE

Model Number	Weight	Dimensions (WxHxL)	Master carton
WCWA	1.1kg (2.2lb)	14.5x15x27cm (6x6x11in)	15

WCWGC CORNER MOUNT ADAPTOR

Made of steel

Load rating: 50kg (110lb)

Unit weight: 2.2kg (4.8lb)

PART NUMBER

WCWGC Corner mount adaptor

PACKAGE

Model Number	Weight	Dimensions (WxHxL)	Master carton
WCWGC	2.6kg (5.7lb)	24x32x24.5cm (9.4x12.6x9.6in)	8

PTAC WALL MOUNT BRACKET

Made of aluminium

Load rating: 35kg (77lb)

Unit weight: 0.7kg (1,5lb)

PART NUMBER

PTAC Wall bracket for PTH300 series

PACKAGE

Model Number	Weight	Dimensions (WxHxL)	Master carton
PTAC	0.9kg (2lb)	13.5x13.5x45cm (5x5x18in)	10

PTCC1 POLE MOUNT ADAPTOR

Made of aluminium

For pole diameters: 80÷150mm (3÷5.9in)

Load rating: 50kg (110lb)

Unit weight: 2.6kg (5.7lb)

PART NUMBER

PTCC1 Pole mount adaptor

PACKAGE

Model Number	Weight	Dimensions (WxHxL)	Master carton
PTCC1	2.8kg (6.2lb)	14x25.5x20cm (5.5x10x7.9in)	8

WFWBTA PARAPET BRACKET

Made of aluminium

Load rating: 50kg (110lb)

Height: 185mm (7.3in)

Unit weight: 0.8kg (1.7lb)

PART NUMBER

WFWBTA Column bracket for PTH P&T series

PACKAGE

Model Number	Weight	Dimensions (WxHxL)	Master carton
WFWBTA	1kg (2.2lb)	14.3x15x27cm (5.5x6x11in)	15

WSFPA POLE MOUNT ADAPTOR

Made of aluminium

Allows the internal cable management

Load rating: 30kg (66lb)

For pole diameters: 65÷110mm (2.6÷4.3in)

Unit weight: 0.9kg (2lb)

PART NUMBER

WSFPA Pole mount adaptor

PACKAGE

Model Number	Weight	Dimensions (WxHxL)	Master carton
WSFPA	1kg (2.2lb)	10x16x23cm (4x6x9in)	15

WCPA REINFORCING SUPPORT PLATE FOR POOR CONSISTENCY WALLS

Made of aluminium

Available with a supporting box with internal cable channel (WBOV3A2)

Load rating: 50kg (110lb)

Unit weight: 0.6kg (1.3lb)

PART NUMBER

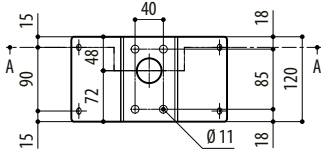
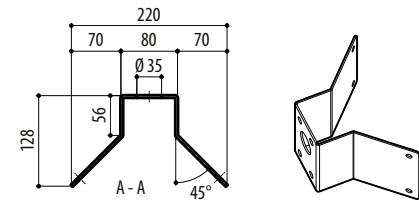
WCPA Reinforcing support plate for poor consistency walls

PACKAGE

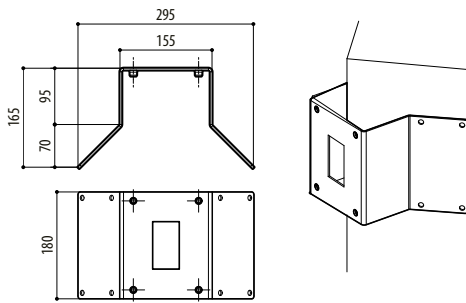
Model Number	Weight	Dimensions (WxHxL)	Master carton
WCPA	0.7kg (1,5lb)	10x16x23cm (4x6x9in)	30

TECHNICAL DRAWINGS

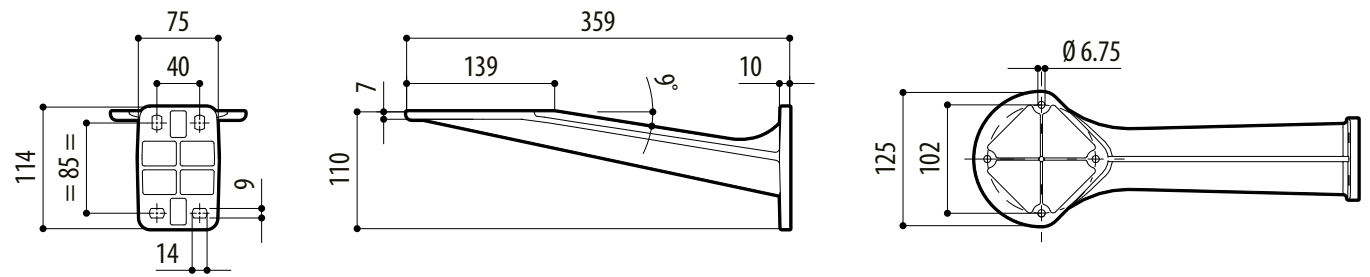
The dimensions of the drawings are in millimetres.



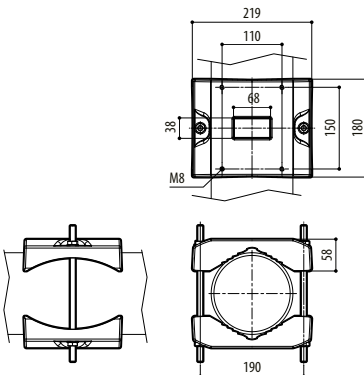
WCWA



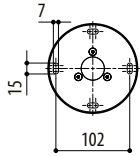
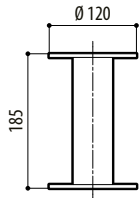
WCWGC



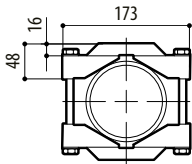
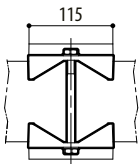
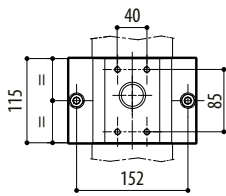
PTAC



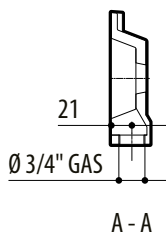
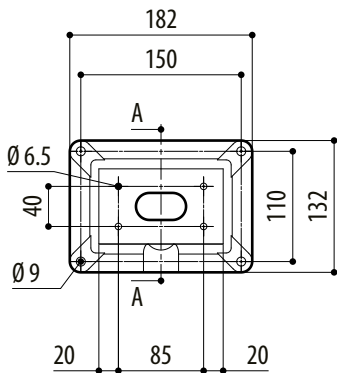
PTCC1



WFWBTA



WSFPA



WCPA