

QNO-6012R/6022R/6032R

2MP Network IR Bullet Camera

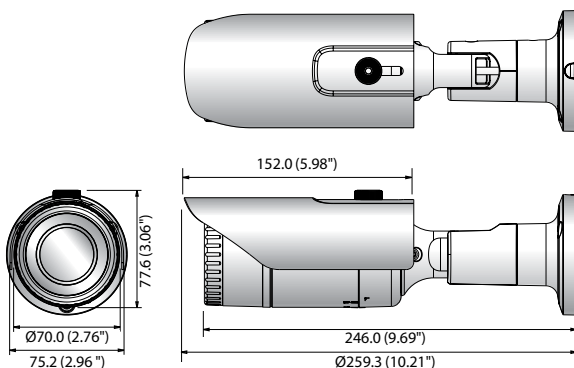


Key Features

- Max. 2megapixel (1920 x 1080) resolution
- 0.1Lux (Color), 0Lux (B/W, IR LED on)
- 2.8mm/4mm/6mm fixed lens
- Max. 30fps@2M all resolutions (H.265/H.264)
- H.265, H.264, MJPEG codec supported, Multiple streaming
- Motion detection, Tampering, Defocus detection
- Hallway view (90°/270°), LDC support
- Micro SD/SDHC/SDXC memory slot (Max. 128GB)
- IR viewable length 20m/25m/30m
- IP66, IK10, PoE, 12VDC

Dimensions

Unit : mm (inch)



Accessories (Optional)



SBO-100B1



SBP-302PM

| | QNO-6012R | QNO-6022R | QNO-6032R |
|---------------------------|--|---|---|
| VIDEO | | | |
| Imaging Device | 1/2.8" 2MP CMOS | 1/2.8" 2MP CMOS | 1/2.8" 2MP CMOS |
| Effective Pixels | 1920(H) x 1080(V) | 1920(H) x 1080(V) | 1920(H) x 1080(V) |
| Min. Illumination | Color : 0.1Lux (F2.0, 1/30sec) BW : 0Lux (IR LED on) | Color : 0.1Lux (F1.6, 1/30sec) BW : 0Lux (IR LED on) | Color : 0.1Lux (F2.0, 1/30sec) BW : 0Lux (IR LED on) |
| Video Out | CVBS : 1.0 Vp-p / 75Ω composite, 720 x 480(N), 720 x 576(P) for installation | | |
| LENS | | | |
| Focal Length (Zoom Ratio) | 2.8mm fixed focal | 4mm fixed focal | 6mm fixed focal |
| Max. Aperture Ratio | F2.0 | F1.6 | F2.0 |
| Angular Field of View | H : 113.74 V : 61.5° D : 134.45° | H : 87.6 V : 46.4° D : 104.5° | H : 52.8 V : 30.3° D : 60.4° |
| Focus Control | Fixed | Fixed | Fixed |
| OPERATIONAL | | | |
| IR Viewable Length | 20m (65.62ft) | 25m (82.02ft) | 30m (98.42ft) |
| Camera Title | Displayed up to 85 characters | | |
| Day & Night | Auto (ICR) | | |
| Backlight Compensation | BLC, WDR, SDR | | |
| Wide Dynamic Range | 120dB | | |
| Digital Noise Reduction | SSNR | | |
| Motion Detection | 4ea, polygonal zones | | |
| Privacy Masking | 6ea, rectangular zones | | |
| Gain Control | Support | | |
| White Balance | ATW / AWC / Manual / Indoor / Outdoor | | |
| LDC | Support | | |
| Electronic Shutter Speed | Minimum / Maximum / Anti flicker (1/5~1/12,000sec) | | |
| Video Rotation | Flip, Mirror, Hallway view (90°/270°) | | |
| Analytics | Defocus detection, Directional detection, Motion detection, Enter/Exit, Tampering, Virtual line | | |
| Alarm I/O | Input 1ea / Output 1ea | | |
| Alarm Triggers | Analytics, Network disconnect, Alarm input | | |
| Alarm events | File upload via FTP and e-mail Notification via e-mail SD/SDHC/SDXC or NAS recording at event triggers Alarm output | | |
| Audio In | Selectable (mic in/line in) Supply voltage : 2.5VDC (4mA), Input impedance : 2K Ohm | | |
| NETWORK | | | |
| Ethernet | RJ-45 (10/100BASE-T) | | |
| Video Compression | H.265/H.264 : Main/High, MJPEG | | |
| Resolution | 1920 x 1080, 1280 x 960, 1280 x 720, 800 x 600, 800 x 448, 720 x 576, 720 x 480, 640 x 480, 640 x 360 | | |
| Max. Framerate | H.265/H.264 : Max. 30fps/25fps (60Hz/50Hz) MJPEG : Max. 15fps/12fps (60Hz/50Hz) | | |
| Smart Codec | WiseStream II | | |
| Video Quality Adjustment | H.264/H.265 : Target bitrate level control MJPEG : Quality Level control | | |
| Bitrate Control | H.264/H.265 : CBR or VBR MJPEG : VBR | | |
| Streaming | Unicast (6 users) / Multicast Multiple streaming (Up to 3 profiles) | | |
| Audio Compression | G.711 u-law /G.726 Selectable G.726 (ADPCM) 8KHz, G.711 8KHz G.726 : 16Kbps, 24Kbps, 32Kbps, 40Kbps | | |

| | QNO-6012R | QNO-6022R | QNO-6032R |
|--|--|-----------|-----------|
| Protocol | IPv4, IPv6, TCP/IP, UDP/IP, RTP(UDP), RTP(TCP), RTCP, RTSP, NTP, HTTP, HTTPS, SSL/TLS, DHCP, FTP, SMTP, ICMP, IGMP, SNMPv1/v2c/v3(MIB-2), ARP, DNS, DDNS, QoS, UPnP, Bonjour, LLDP | | |
| Security | HTTPS (SSL) login authentication, Digest login authentication, IP address filtering, User access log, 802.1X authentication (EAP-TLS, EAP-LEAP) | | |
| Edge Storage | Micro SD/SDHC/SDXC 1slot 128GB | | |
| Application Programming Interface | ONVIF Profile S/G/T SUNAPI (HTTP API) Wisenet open platform | | |
| Webpage Language | English, Korean, Chinese, French, Italian, Spanish, German, Japanese, Russian, Swedish, Portuguese, Czech, Polish, Turkish, Dutch, Hungarian, Greek | | |
| Web Viewer | Supported OS : Windows 7, 8.1, 10, Mac OS X 10.12, 10.13, 10.14 Recommended Browser : Google Chrome Supported Browser : MS Explorer11, MS Edge, Mozilla Firefox (Windows 64bit only), Apple Safari (Mac OS X only) | | |
| Memory | 512MB RAM, 256MB Flash | | |
| ENVIRONMENTAL | | | |
| Operating Temperature / Humidity | -30°C ~ +55°C (-22°F ~ +131°F) / Less than 90% RH * Start up should be done at above -20°C | | |
| Storage Temperature / Humidity | -30°C ~ +60°C (-22°F ~ +140°F) / Less than 90% RH | | |
| Certification | IP66, IK10 | | |
| ELECTRICAL | | | |
| Input Voltage | PoE (IEEE802.3af, Class3), 12VDC | | |
| Power Consumption | PoE : Max 7W, typical 5.2W 12VDC : Max 6.1W, typical 4.5W | | |
| MECHANICAL | | | |
| Color / Material | Dark grey / Aluminum | | |
| Product dimensions / weight | Ø70.0 x 246.0mm (Ø2.76 x 9.69"), 700g (1.543 lb) | | |

* The latest product information / specification can be found at hanwha-security.com

* Design and specifications are subject to change without notice.

* Wisenet is the proprietary brand of **Hanwha Techwin**.