



Network

BOX

XNB-6003

2MP AI Box Camera

FC | UL | CE | ENEC

Key Features

- 2MP resolution
- Color: 0.007 Lux (F1.2, 1/30sec, 30IRE), BW: 0.0007 Lux (F1.2, 1/30sec, 30IRE)
- Maximum 120 fps (H.265/H.264)
- Day & Night (ICR), extremeWDR (150dB)
- WiseNR II (Based on AI engine), WiseStreamIII (Based on AI engine)
- Analytics events based on AI engine (NPU) : Object detection (Person/Face/Vehicle - car, truck, bus, bicycle, motorcycle/License plate),
IVA (Virtual line/Area, Enter/Exit, Loitering, Direction, Intrusion)
- Analytics events : Defocus detection, Motion detection, Tampering, Fog detection
Audio detection, Sound classification, Shock detection, Appear/Disappear

XNB-6003

2MP AI Box Camera



Specifications

Video

Imaging Device	1/2.8" progressive CMOS
Resolution	1920x1080, 1280x1024, 1280x960, 1280x720, 1024x768, 800x600, 800x448, 720x576, 720x480, 640x480, 640x360, 320x240
Max. Framerate	H.265/H.264: Max. 120fps/100fps(60Hz/50Hz)(WDR off) Max. 60fps/50fps(60Hz/50Hz)(WDR on) MJPEG: Max. 30fps/25fps(60Hz/50Hz)
Min. Illumination	Color: 0.007Lux(F1.2, 1/30sec, 30IRE) B/W : 0.0007Lux(F1.2, 1/30sec, 30IRE), 30/25fps Color: 0.014Lux(F1.2, 1/60sec, 30IRE) B/W : 0.0014Lux(F1.2, 1/60sec, 30IRE), 60/50fps Color: 0.028Lux(F1.2, 1/120sec, 30IRE) B/W : 0.0028Lux(F1.2, 1/120sec, 30IRE), 120/100fps
Video Out	CVBS: 1.0 Vp-p / 75Ω composite, 720x480(N), 720x576(P) for installation USB: Micro USB Type B, 1280x720 for installation

Lens

Focus Control	Simple focus
Lens Type	DC auto iris, P-iris, Manual, I-CS
Mount Type	C mount, CS mount

Operational

Camera Title	Displayed up to 85 characters
Day & Night	Auto(ICR)
Backlight Compensation	BLC, HLC, WDR, SSSDR
Wide Dynamic Range	extremeWDR (150dB)
Digital Noise Reduction	WiseNR II (Based on AI engine), SSNR V
Digital Image Stabilization	Support(built-in gyro sensor)
Defog	Support
Motion Detection	8ea, 8point Polygonal zones
Privacy Masking	32ea, Quadrangle zones - Color : Gray, Green, Red, Blue, Black, White - Mosaic
Gain Control	Support
White Balance	ATW / Narrow ATW / AWC / Manual / Indoor / Outdoor
LDC	Support (Fill/stretch mode)
Electronic Shutter Speed	Minimum / Maximum / Anti flicker (2~1/12,000sec) Prefer shutter control(Based on AI engine)
Video Rotation	Flip, Mirror, Hallway view(90°/270°)
Analytics	- Analytics events based on AI engine : Object detection (Person/Face/Vehicle(car/bus/truck/motorcycle/bicycle)/License plate), IVA (Virtual line/Area, Enter/Exit, Loitering, direction, Appear/Disappear, intrusion) - Analytics events : Defocus detection, Motion detection, Tampering, Fog detection, Audio detection, Sound classification, Shock detection
Business Intelligence	Based on AI engine : People counting, Queue management, Heatmap
Serial Interface	RS-485(Samsung-T, Pelco-D/P, Panasonic, Bosch, AD, GE, Vicon, Honeywell)
Alarm I/O	2 configurable I/O ports
Alarm Triggers	Analytics, Network disconnect, Alarm input, App event, Time schedule

Alarm Events	When alarm trigger occurred - File upload(image) : e-mail/FTP - Notification : e-mail - Recording : SD/SDHC/SDXC or NAS recording at event triggers - Alarm output - Handover(PTZ preset, Send message by HTTP/HTTPS/TCP) - Audio clip playback
Audio In	Selectable(mic in/line in/Built-in MIC) Supply voltage: 2.5VDC(4mA), Input impedance: 2K Ohm
Audio Out	Line out, Max.output level: 1Vrms

Network

Ethernet	Metal shielded RJ-45(10/100/1000BASE-T)
Video Compression	H.265/H.264: Main/High, MJPEG
Audio Compression	G.711 u-law /G.726 Selectable G.726(ADPCM) 8KHz, G.711 8KHz G.726: 16Kbps, 24Kbps, 32Kbps, 40Kbps AAC-LC: 48Kbps at 16KHz
Smart Codec	Manual(5ea area), WiseStream II , WiseStreamIII(Based on AI engine)
Bitrate Control	H.264/H.265: CBR or VBR MJPEG: VBR
Streaming	Unicast(20 users) / Multicast Multiple streaming(Up to 10 profiles, 3 virtual channel support)
Protocol	IPv4, IPv6, TCP/IP, UDP/IP, RTP(UDP), RTP(TCP), RTCP,RTSP, NTP, HTTP, HTTPS, SSL/TLS, DHCP, FTP, SMTP, ICMP, IGMP, SNMPv1/v2c/v3(MIB-2), ARP, DNS, DDNS, QoS, UPnP, Bonjour, LLDP, SRTP (TCP, UDP Unicast)
Security	TPM 2.0 (FIPS 140-2 level 2) HTTPS(SSL) Login Authentication Digest Login Authentication IP Address Filtering User access log 802.1X Authentication(EAP-TLS, EAP-LEAP, EAP-PEAP MSCHAPv2) Device Certificate(Hanwha Techwin Root CA, pre-installed) Secure by default certificate Secure OS/Boot/Storage, Verify firmware forgery
Application Programming Interface	ONVIF Profile S/G/T SUNAPI(HTTP API) Wisenet open platform

General

Webpage Language	English, Korean, Chinese, French, Italian, Spanish, German, Japanese, Russian, Swedish,, Portuguese, Czech, Polish, Turkish, Dutch, Greek, Hungarian
Edge Storage	Micro SD/SDHC/SDXC 2slot Max. 1TB (512GB * 2)
Memory	2GB RAM, 512MB Flash

Environmental & Electrical

Operating Temperature / Humidity	-10 °C ~ 55°C(-14°F ~ +131°F) less than 95%RH(non-condensing)
Storage Temperature / Humidity	-50°C ~ +60°C(-58°F ~ +140°F) / Less than 90% RH
Input Voltage	PoE(IEEE802.3af, Class3), 12VDC
Power Consumption	PoE: Max 12.95W, typical 9.8W 12VDC: Max 19W, typical 9.5W

Mechanical

Color / Material	Black / Aluminum
Product Dimensions / Weight	81(W)x67(H)x165(D)mm(3.19x2.64x6.48"), 880g(1.94 lb)

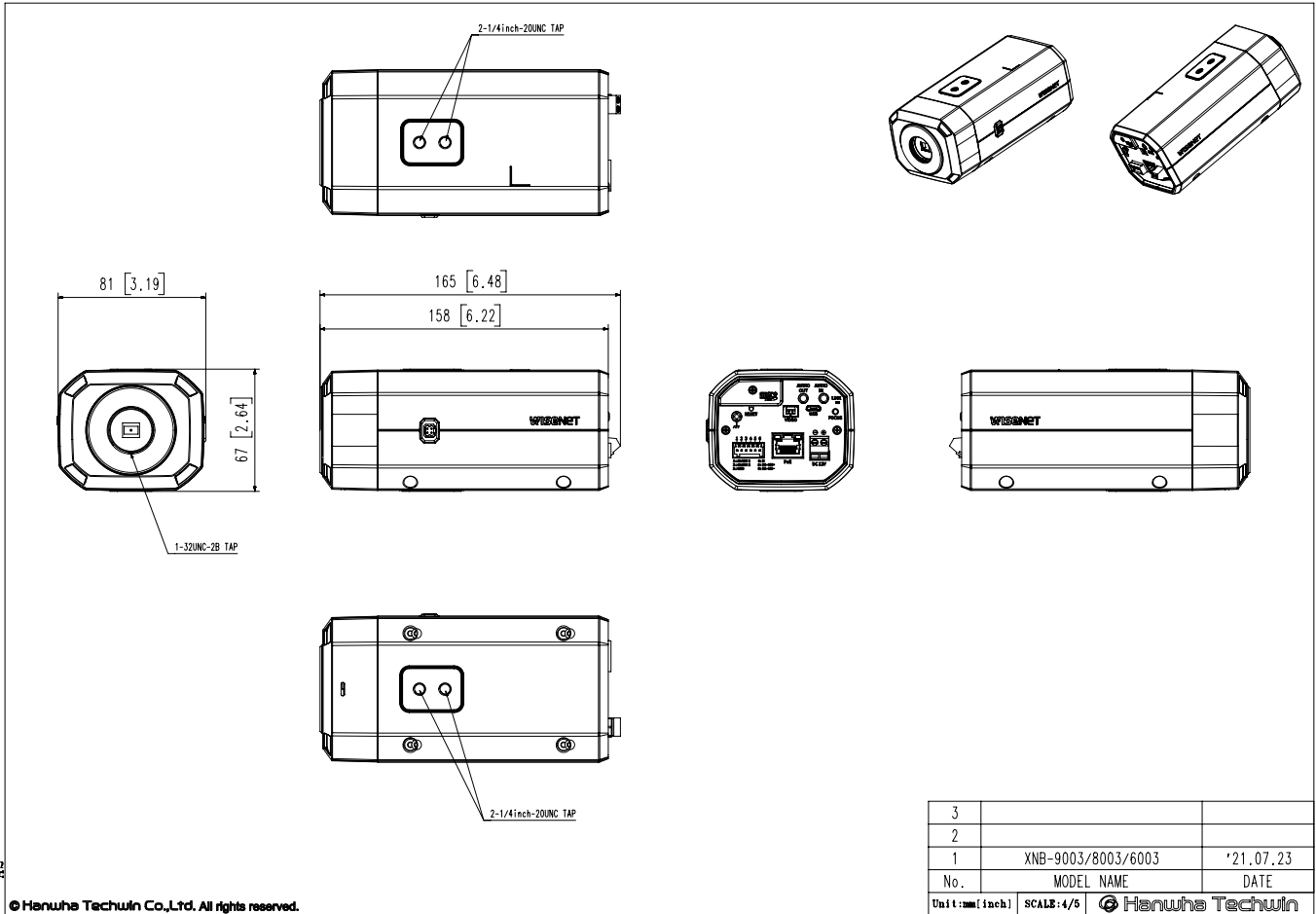
XNB-6003

2MP AI Box Camera



CAD

Unit: mm [inch]



A2

© Hanwha Techwin Co., Ltd. All rights reserved.