



Network

BOX

# XNB-9003

4K AI Box Camera

FC | UL | CE | EAC

## Key Features

- 4K resolution
- Color: 0.03 Lux (F1.2, 1/30sec, 30IRE), BW: 0.003 Lux (F1.2, 1/30sec, 30IRE)
- Maximum 30fps (H.265/H.264)
- Day & Night (ICR), extremeWDR (120dB)
- WiseNR II (Based on AI engine), WiseStreamIII (Based on AI engine)
- Analytics events based on AI engine (NPU) : Object detection (Person/Face/Vehicle - car, truck, bus, bicycle, motorcycle/License plate),  
IVA (Virtual line/Area, Enter/Exit, Loitering, Direction, Intrusion)
- Analytics events : Defocus detection, Motion detection, Tampering, Fog detection  
Audio detection, Sound classification, Shock detection, Appear/Disappear

# XNB-9003

4K AI Box Camera



## Specifications

### Video

|                          |   |
|--------------------------|---|
| <b>Imaging Device</b>    | 1/1.8" progressive CMOS   |
| <b>Resolution</b>        | 3840x2160, 3328x1872, 3072x1728, 2592x1944, 2688x1520, 1920x1080, 1600x1200, 1280x1024, 1280x960, 1280x720, 1024x768, 800x600, 800x448, 720x576, 720x480, 640x480, 640x360, 320x240 |
| <b>Max. Framerate</b>    | H.265/H.264: Max. 30fps/25fps(60Hz/50Hz)<br>MJPEG: Max. 15fps/12fps(60Hz/50Hz)  |
| <b>Min. Illumination</b> | Color: 0.03Lux(F1.2, 1/30sec, 30IRE)<br>BW: 0.003Lux(F1.2, 1/30sec, 30IRE)  |
| <b>Video Out</b>         | CVBS: 1.0 Vp-p / 75Ω composite, 720x480(N), 720x576(P) for installation<br>USB: Micro USB Type B, 1280x720 for installation   |

### Lens

|                      |                                    |
|----------------------|------------------------------------|
| <b>Focus Control</b> | Simple focus                       |
| <b>Lens Type</b>     | DC auto iris, P-iris, Manual, I-CS |
| <b>Mount Type</b>    | C mount, CS mount                  |

### Operational

|                                    |  |
|------------------------------------|--|
| <b>Camera Title</b>                | Displayed up to 85 characters  |
| <b>Day &amp; Night</b>             | Auto(ICR)  |
| <b>Backlight Compensation</b>      | BLC, HLC, WDR, SSSDR   |
| <b>Wide Dynamic Range</b>          | extremeWDR (120dB)   |
| <b>Digital Noise Reduction</b>     | WiseNR II (Based on AI engine), SSNR V   |
| <b>Digital Image Stabilization</b> | Support(built-in gyro sensor)  |
| <b>Defog</b>                       | Support  |
| <b>Motion Detection</b>            | 8ea, 8point Polygonal zones  |
| <b>Privacy Masking</b>             | 32ea, Quadrangle zones<br>- Color : Gray, Green, Red, Blue, Black, White<br>- Mosaic   |
| <b>Gain Control</b>                | Support  |
| <b>White Balance</b>               | ATW / Narrow ATW / AWC / Manual / Indoor / Outdoor   |
| <b>LDC</b>                         | Support (Fill/stretch mode)  |
| <b>Electronic Shutter Speed</b>    | Minimum / Maximum / Anti flicker (2~1/12,000sec)<br>Prefer shutter control(Based on AI engine)   |
| <b>Video Rotation</b>              | Flip, Mirror, Hallway view(90°/270°)   |
| <b>Analytics</b>                   | Classified object type : Person/Face/Vehicle/License plate<br>Attributes : Vehicle(Type:car/bus/truck/motorcycle/bicycle)<br>Support DetectionShot<br>Analytics events based on AI engine<br>- Object detection, Virtual line(Crossing/Direction), Virtual area(Loitering/Intrusion/Enter/Exit)<br>Analytics events<br>- Defocus detection, Motion detection, Tampering, Fog detection, Audio detection, Sound classification, Shock detection, Virtual area(Appear/Disappear) |
| <b>Business Intelligence</b>       | Based on AI engine : People counting, Queue management, Heatmap  |
| <b>Serial Interface</b>            | RS-485(Samsung-T, Pelco-D/P, Panasonic, Bosch, AD, GE, Vicon, Honeywell)   |
| <b>Alarm I/O</b>                   | 2 configurable I/O ports   |
| <b>Alarm Triggers</b>              | Analytics, Network disconnect, Alarm input, App event, Time schedule   |

|                     |   |
|---------------------|---|
| <b>Alarm Events</b> | When alarm trigger occurred<br>- File upload(image) : e-mail/FTP<br>- Notification : e-mail<br>- Recording : SD/SDHC/SDXC or NAS recording at event triggers<br>- Alarm output<br>- Handover(PTZ preset, Send message by HTTP/HTTPS/TCP)<br>- Audio clip playback |
| <b>Audio In</b>     | Selectable(mic in/line in/Built-in MIC)<br>Supply voltage: 2.5VDC(4mA), Input impedance: 2K Ohm   |
| <b>Audio Out</b>    | Line out, Max.output level: 1Vrms   |

## Network

|  |   |
|--|---|
| <b>Ethernet</b>                          | Metal shielded RJ-45(10/100/1000BASE-T)   |
| <b>Video Compression</b>                 | H.265/H.264: Main/High, MJPEG   |
| <b>Audio Compression</b>                 | G.711 u-law /G.726 Selectable<br>G.726(ADPCM) 8KHz, G.711 8KHz<br>G.726: 16Kbps, 24Kbps, 32Kbps, 40Kbps<br>AAC-LC: 48Kbps at 16KHz  |
| <b>Smart Codec</b>                       | Manual(5ea area), WiseStream II , WiseStreamIII(Based on AI engine)   |
| <b>Bitrate Control</b>                   | H.264/H.265: CBR or VBR<br>MJPEG: VBR   |
| <b>Streaming</b>                         | Unicast(20 users) / Multicast<br>Multiple streaming(Up to 10 profiles, 3 virtual channel support)   |
| <b>Protocol</b>                          | IPv4, IPv6, TCP/IP, UDP/IP, RTP(UDP), RTP(TCP), RTCP,RTSP, NTP, HTTP, HTTPS, SSL/TLS, DHCP, FTP, SMTP, ICMP, IGMP, SNMPv1/v2c/v3(MIB-2), ARP, DNS, DDNS, QoS, UPnP, Bonjour, LLDP, SRTP (TCP, UDP Unicast)  |
| <b>Security</b>                          | TPM 2.0 (FIPS 140-2 level 2)<br>HTTPS(SSL) Login Authentication<br>Digest Login Authentication<br>IP Address Filtering<br>User access log<br>802.1X Authentication(EAP-TLS, EAP-LEAP, EAP-PEAP MSCHAPv2)<br>Device Certificate(Hanwha Techwin Root CA, pre-installed)<br>Secure by default certificate<br>Secure OS/Boot/Storage, Verify firmware forgery |
| <b>Application Programming Interface</b> | ONVIF Profile S/G/T<br>SUNAPI(HTTP API)<br>Wisenet open platform  |

## General

|                         |  |
|-------------------------|--|
| <b>Webpage Language</b> | English, Korean, Chinese, French, Italian, Spanish, German, Japanese, Russian, Swedish,, Portuguese, Czech, Polish, Turkish, Dutch, Greek, Hungarian |
| <b>Edge Storage</b>     | Micro SD/SDHC/SDXC 2slot Max. 1TB (512GB * 2)  |
| <b>Memory</b>           | 4GB RAM, 512MB Flash   |

## Environmental & Electrical

|   |  |
|---|--|
| <b>Operating Temperature / Humidity</b> | -10 °C ~ 55°C(-14°F ~ +131°F)<br>less than 95%RH(non-condensing) |
| <b>Storage Temperature / Humidity</b>   | -50°C ~ +60°C(-58°F ~ +140°F) / Less than 90% RH                 |
| <b>Input Voltage</b>                    | PoE(IEEE802.3af, Class3), 12VDC                                  |
| <b>Power Consumption</b>                | PoE: Max 12.95W, typical 9.8W<br>12VDC: Max 19W, typical 9.5W    |

## Mechanical

|                                    |  |
|------------------------------------|--|
| <b>Color / Material</b>            | Black / Aluminum                                     |
| <b>Product Dimensions / Weight</b> | 81(W)x67(H)x165(D)mm(3.19x2.64x6.48"), 880g(1.94 lb) |

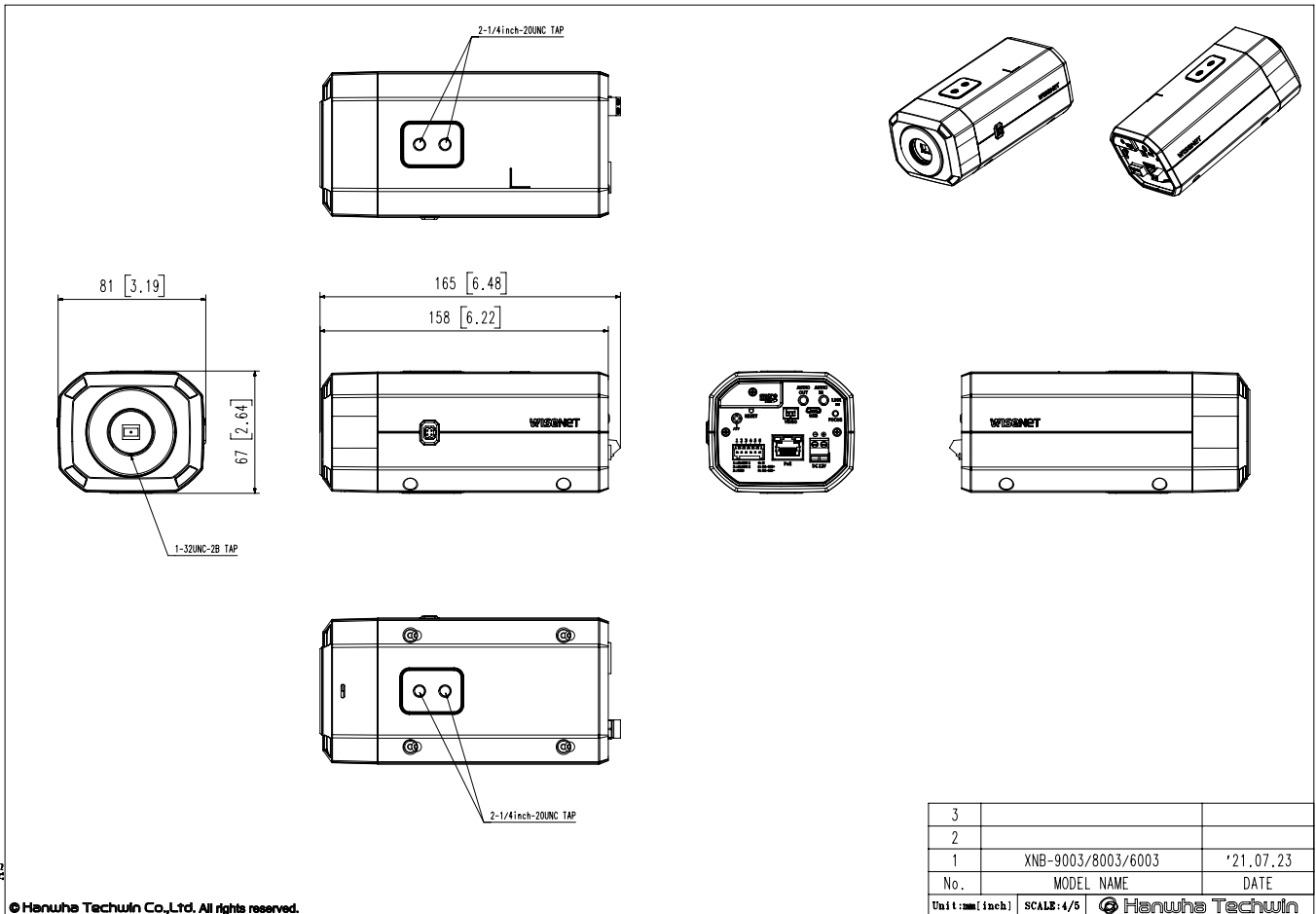
# XNB-9003

4K AI Box Camera



CAD

Unit: mm [inch]



A2

© Hanwha Techwin Co., Ltd. All rights reserved.