



DS-1331HZ-HW

Outdoor Housing (with heater and wiper)

Features:

- Adopt side-cover design for convenient installation and maintenance
- Adopt stainless steel dual-hasp design, water-proof up to IP67
- Partial glass silk print to protect imaging area
- Built-in automatic temperature control system to ensure stable running
- Wiper included for rainy days

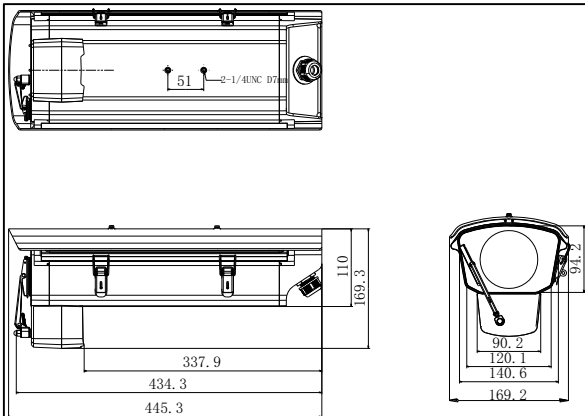
Notice:

- ABF and wiper can't be used at the same time
- Set 9600bps as 485 communication baud rate , set 0 as address, choose Pelco-D protocol
- Read the instructions carefully and observe all warnings before installing this equipment.
- Turn off the power before wiping this equipment, do not use liquid or spray cleaning agent.
- Do not install on unstable bracket.
- Protect the power line, especially the flexible line of the plug and camera.

Order Model:

DS-1331HZ-HW

Dimension:



Installation:



DS-1293ZJ Wall Mount



DS-1214ZJ Horizontal Pole Mount



DS-1269ZJ Pendent Mount

Parameter:

Model	DS-1331HZ-HW
Parameters	Outdoor Housing with heater and wiper
Produce features	With heater, fan, wiper
Working temperature	-40°C ~ +60°C, Humidity 95% or less (non-condensing)
Automatic temperature control range	-40°C ~ +60°C Heater on: 5°C±5°C, fan operating for constant temperature; Fan on: 40°C±5°C, for heat dissipation
Power	AC24V
Power consumption	Fan: 4W; Wiper: 4W; Heater: 60W
Protection level	IP67
Material	Main: aluminum alloy Window: glass
Dimension(mm)	455.3×169.3×169.2
Matching power supply	AC24V 4A power pack
Weight	2500g

Wiring:

