

## DS-1331HZ-W

### Outdoor Housing

#### Features:

- Adopt side-cover design for convenient installation and maintenance
- Adopt stainless steel dual-hasp design, water-proof up to IP67
- Partial glass silk print to protect imaging area
- Built-in automatic temperature control system to ensure stable running
- Wiper included for rainy days

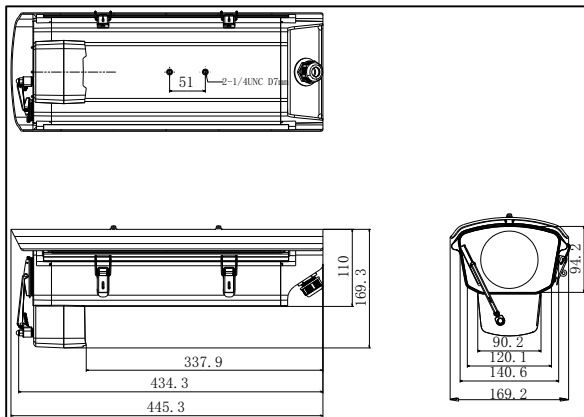
#### Notice:

- ABF and wiper can't be used at the same time
- Set 9600bps as 485 communication baud rate , set 0 as address, choose Pelco-D protocol
- Read the instructions carefully and observe all warnings before installing this equipment.
- Turn off the power before wiping this equipment, do not use liquid or spray cleaning agent.
- Do not install on unstable bracket.
- Protect the power line, especially the flexible line of the plug and camera.

#### Order Model:

DS-1331HZ-W

#### Dimension:



#### Installation:



DS-1293ZJ Wall Mount



DS-1214ZJ Horizontal Pole Mount



DS-1269ZJ Pendant Mount



#### Parameter:

Model	DS-1331HZ-W
	Outdoor Housing
Produce features	With fan, wiper, suitable for high temperature environment
Working temperature	-20°C ~ +60°C, Humidity 95% or less (non-condensing)
Automatic temperature control range	Fan on: 45°C±5°C Fan off: 35°C±5°C
Power	AC24V
Power consumption	Fan: 4W; Wiper: 4W
Protection level	IP67
Material	Main: aluminum alloy Window: glass
Dimension(mm)	445 × 140 × 169
Matching power supply	AC24V 2A power pack
Weight	1900g

#### Wiring:

