

DS-1602ZJ-P

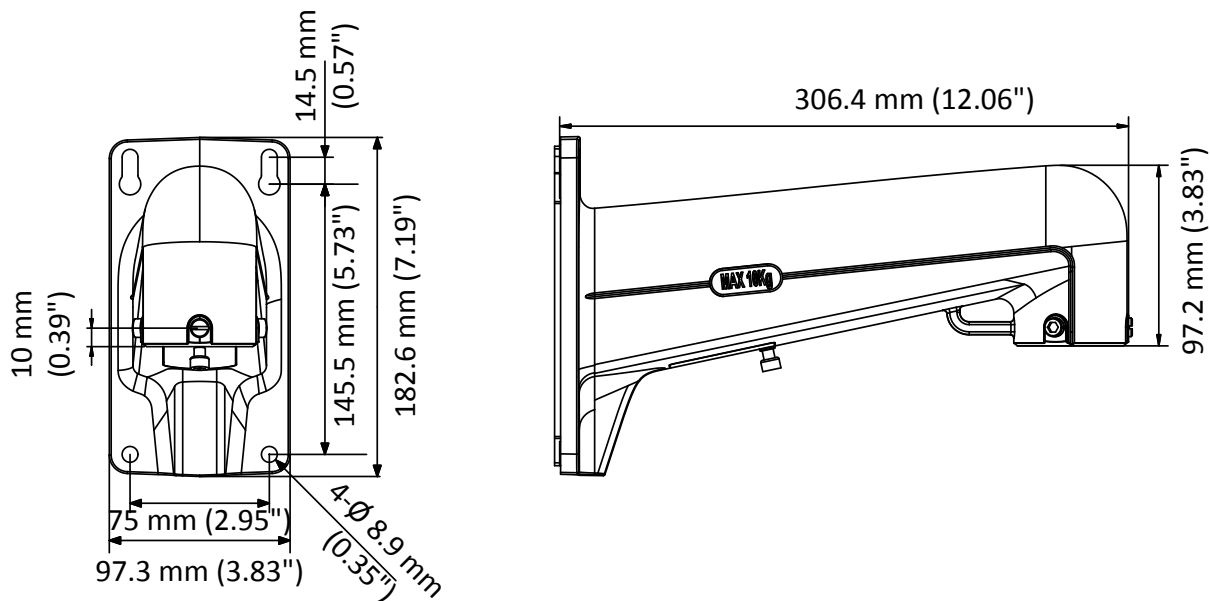
Wall Mount for Speed Dome



Feature

- Aluminum alloy with surface spray treatment
- The hook for safety rope facilitates speed dome's installation
- Waterproof design

Dimension



Available Model

DS-1602ZJ-P

Parameter

Model	DS-1602ZJ-P
Parameters	Wall Mount for Speed Dome
Appearance	Hikvision Gray
Material	Aluminum Alloy
Dimension	306.4 mm × 182.6 mm × 97.3 mm (12.06" × 7.19" × 3.83")
Weight	1050 g (2.31 lb.)

Note

- The mount should be installed on the flat surface.
- The waterproof rubber is necessary for the outdoor application.
- The wall must be capable of supporting at least 3 times as much as the total weight of the speed dome and the mount.
- The mount's maximum load capacity is 10 Kg (22 lb.).