

## DS-1227ZJ-P1

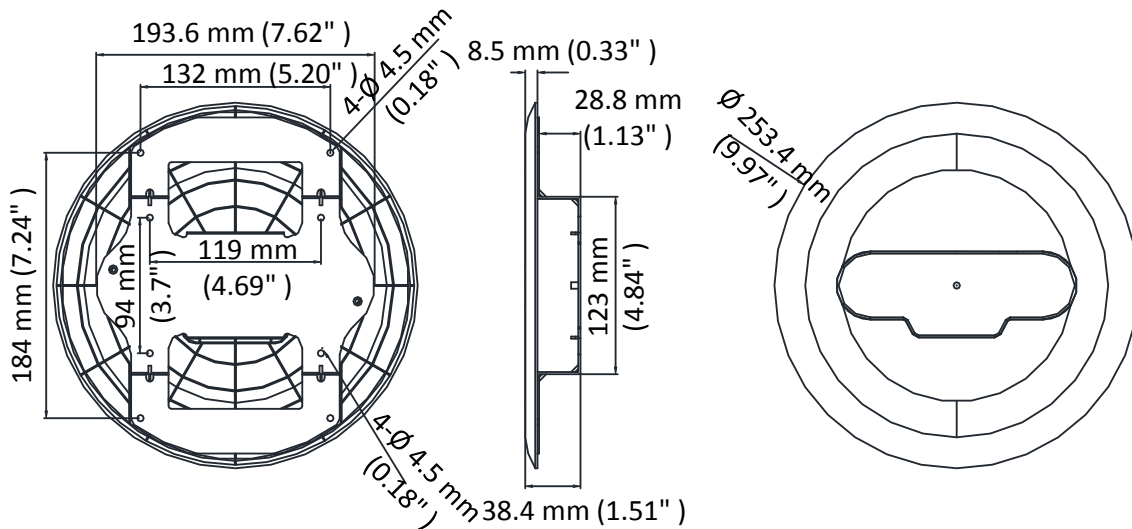
### Inceiling Mount



#### Feature

- Metal plate & plastic with surface spray treatment
- Easy installation method

#### Dimension



#### Available Model

DS-1227ZJ-P1

#### Parameter

Model	DS-1227ZJ-P1
Parameters	Inceiling Mount
Appearance	Hikvision White
Material	Metal Plate & Plastic
Dimension	$\varnothing$ 253.4 mm $\times$ 38.4 mm ( $\varnothing$ 9.97" $\times$ 1.51")
Weight	460 g (1.01 lb.)

#### Note

- The mount should be installed in the flat ceiling.
- The ceiling must be capable of supporting at least 3 times as much as the total weight of the camera, and the mount.
- The mount's maximum load capacity is 1 kg (2.2 lb.).