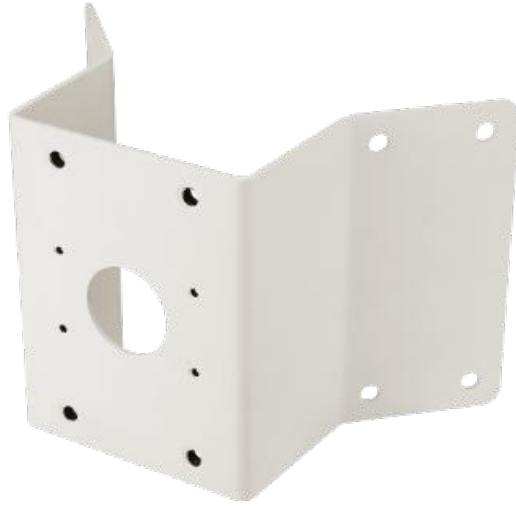


SBP-300KM1

Corner Mount



FC |  | CE | ENEC

Key Features

- Material: Aluminum
- Dimensions : 280(W) x 183(D) x 159(H)mm (11" x 7.2" x 6.26")
- Weight : 770g (1.7 lb)
- Color : Ivory
- Supported products : XNV-6120R
- For further compatible models, please check out Wisenet Toolbox Plus

Environmental

Operating Temperature / Humidity	-50°C ~ +60°C(-58°F ~ +140°F) / 0 ~ 100% RH
---	---

Storage Temperature / Humidity	-50°C ~ +60°C(-58°F ~ +140°F) / 0 ~ 100% RH
---------------------------------------	---

Mechanical

Color	Ivory
--------------	-------

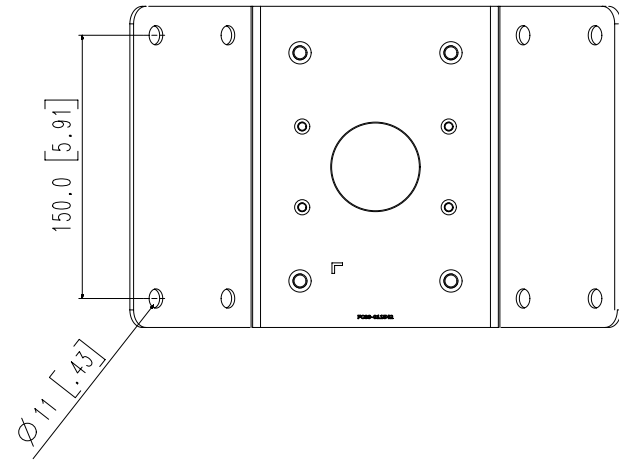
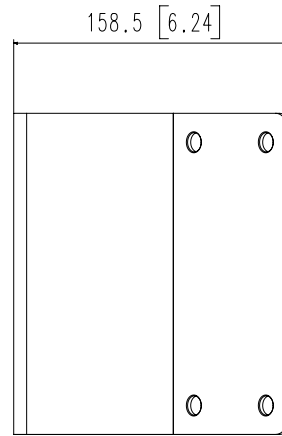
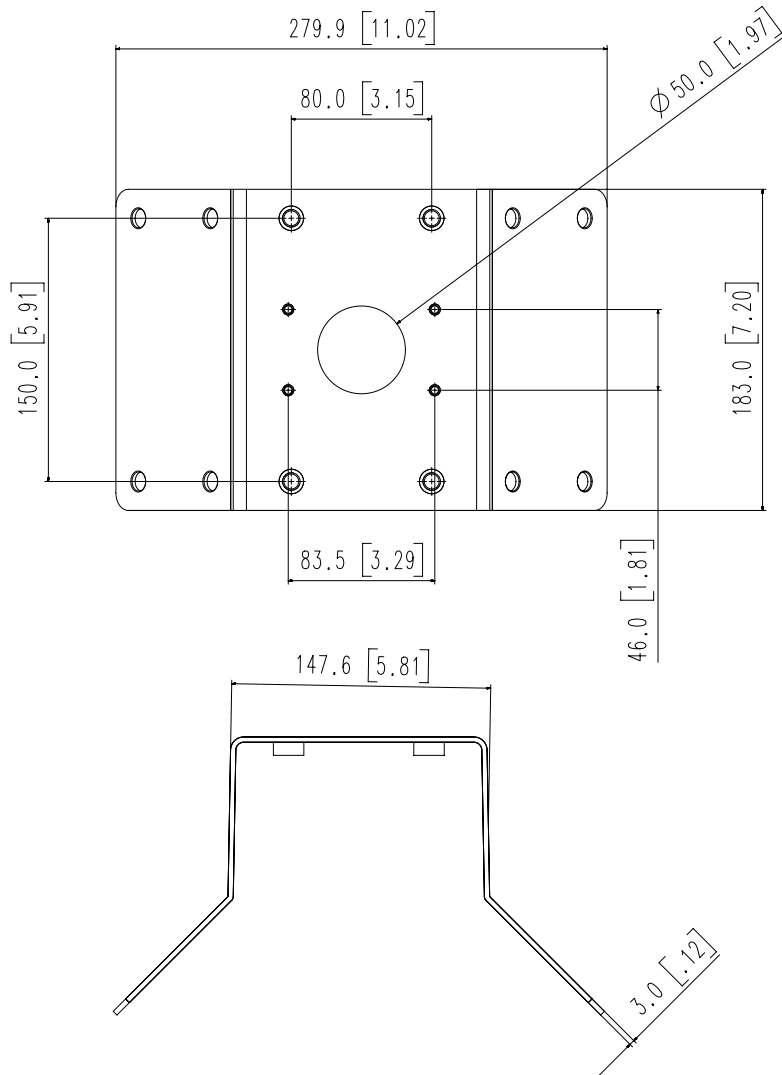
Material	Aluminum
-----------------	----------

Product dimensions / weight	280(W)x183(D)x159(H)mm, 770g
------------------------------------	------------------------------

Mount Screw size	M10
-------------------------	-----

Supported products	XNV-6120R ※ For further compatible models, please visit our website or use Toolbox
---------------------------	---

- The latest product information / specification can be found at hanwha-security.com
- Design and specifications are subject to change without notice.
- Wisenet is the proprietary brand of Hanwha Techwin, formerly known as Samsung Techwin.



1	SBP-156KMW	20.06.18
No.	MODEL NAME	DATE
Unit:mm[inch]		SCALE:1/1
Hanwha Techwin		