

DS-96128NI-H24R NVR

Key Feature

- Up to 128-ch IP camera inputs
- Up to 48-ch@1080p decoding capacity
- Up to 1 Gbps incoming bandwidth and 1 Gbps outgoing bandwidth
- Supports special cameras, including people counting camera, ANPR (automatic number plate recognition) camera, and fisheye camera
- Advanced streaming technology enables smooth live view in poor network conditions
- Supports RAID 0, 1, 5, 6, 10 and N+M hot spare for even more reliable data storage, effectively avoids data loss risks



Professional and Reliability

- H.265+ compression effectively reduces the storage space by up to 75%
- Dual-stream recording saves bandwidth
- Adopt stream over TLS encryption technology which provides more secure stream transmission service
- Support double verification for playback and downloading

HD Video Output

- Provide independent HDMI and VGA outputs
- HDMI video output at up to dual 4K resolution, DP video outputs at up to dual 8K resolution

Storage and Playback

- 24 SATA interfaces for HDD connection (up to 20 TB capacity per HDD)
- 1 eSATA interface for HDD connection
- 16-ch synchronous playback

Smart Function

- Support multiple VCA (Video Content Analytics) events
- Configurable special camera smart functions, such as VCA detection (motion, line crossing, intrusion, etc.), heat map, ANPR, and people counting

Network & Ethernet Access

- 4 self-adaptive 10/100/1000 Mbps Ethernet interfaces
- Hik-Connect & DDNS (Dynamic Domain Name System) for easy network management

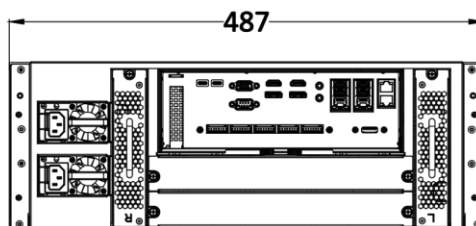
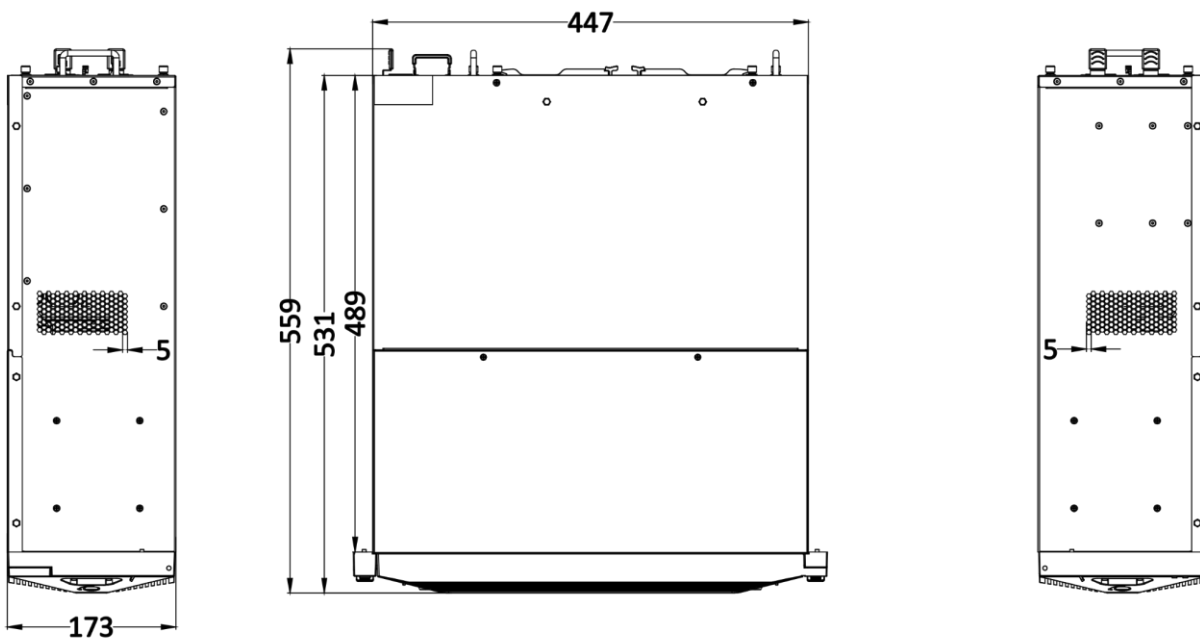
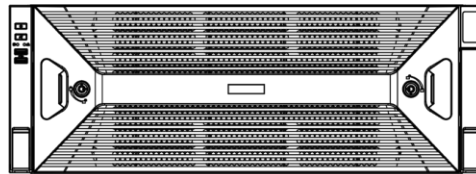
▪ Specification

Video and Audio	
IP Video Input	128-ch
Incoming Bandwidth	1024 Mbps
Outgoing Bandwidth	1024 Mbps
Incoming Bandwidth (RAID Mode)	1024 Mbps
Outgoing Bandwidth (RAID mode)	1024 Mbps
HDMI 1 Output	4K (4096 × 2160)/30 Hz, 4K (3840 × 2160)/30 Hz, 2K (2560 × 1440)/60 Hz, 1920 × 1080/60 Hz, 1600 × 1200/60 Hz, 1280 × 1024/60 Hz, 1280 × 720/60 Hz, 1024 × 768/60 Hz
HDMI 2 Output	4K (3840 × 2160)/60 Hz, 4K (3840 × 2160)/30 Hz, 2K (2560 × 1440)/60 Hz, 1920 × 1080/60 Hz, 1600 × 1200/60 Hz, 1280 × 1024/60 Hz, 1280 × 720/60 Hz, 1024 × 768/60 Hz
VGA Output	1920 × 1080/60 Hz, 1280 × 1024/60 Hz, 1280 × 720/60 Hz, 1024 × 768/60 Hz
DP 1	8K (7680 × 4320)/30Hz, 4K (4096×2160)/30 Hz, 4K (3840×2160)/60 Hz, 4K (3840 × 2160)/30 Hz, 2K (2560 × 1440)/60 Hz, 1920 × 1080/60Hz, 1600 × 1200/60 Hz, 1280 × 1024/60 Hz, 1280 × 720/60 Hz, 1024 × 768/60 Hz
DP 2	8K (7680 × 4320)/30Hz, 4K (4096×2160)/30 Hz, 4K (3840×2160)/60 Hz, 4K (3840 × 2160)/30 Hz, 2K (2560 × 1440)/60 Hz, 1920 × 1080/60Hz, 1600 × 1200/60 Hz, 1280 × 1024/60 Hz, 1280 × 720/60 Hz, 1024 × 768/60 Hz
V-DP 1	8K (7680 × 4320)/30Hz, 4K (4096×2160)/30 Hz, 4K (3840×2160)/60 Hz, 4K (3840 × 2160)/30 Hz, 2K (2560 × 1440)/60 Hz, 1920 × 1080/60Hz, 1600 × 1200/60 Hz, 1280 × 1024/60 Hz, 1280 × 720/60 Hz, 1024 × 768/60 Hz
V-DP 2	8K (7680 × 4320)/30Hz, 4K (4096×2160)/30 Hz, 4K (3840×2160)/60 Hz, 4K (3840 × 2160)/30 Hz, 2K (2560 × 1440)/60 Hz, 1920 × 1080/60Hz, 1600 × 1200/60 Hz, 1280 × 1024/60 Hz, 1280 × 720/60 Hz, 1024 × 768/60 Hz

Video Output Mode	<p>Provide 4 groups of video outputs. The video outputs in the same group provide simultaneous output, and the video outputs between each group provide independent output.</p> <p>Group 1: HDMI 1/VGA/LCD</p> <p>Group 2: HDMI 2</p> <p>Group 3: DP 1/V-DP 1</p> <p>Group 4: DP 2/V-DP 2</p> <p>Note: After enabling DP 1/DP 2, V-DP 1/V-DP 2 would be unavailable.</p>
Audio Output	1-ch, 3.5mm
Two-Way Audio	1-ch, 3.5mm
Decoding	
Decoding Format	H.265+/H.265/H.264+/H.264
Recording Resolution	32 MP/24 MP/12 MP/8 MP/6 MP/5 MP/4 MP/3 MP/1080p/UXGA/720p/VGA/4CIF/DCIF/2CIF/CIF/QCIF
Synchronous playback	16-ch
Decoding Capability	<p>3-ch@32 MP (30 fps)/3-ch@24 MP (30fps)/6-ch@16 MP (30fps)/12-ch@8 MP (30fps)/24-ch@4 MP (30fps)/48-ch@2 MP (30fps)</p> <p>*: The length or width of camera resolution (each track) cannot exceed 4096 pixels.</p>
Audio Compression	G.711ulaw/G.711alaw/G.722/G.726/AAC/MP2L2/PCM
Network	
Network Interface	4, RJ-45 10/100/1000/2500 Mbps self-adaptive Ethernet interface
Network Protocol	TCP/IP, DHCP, IPv4, IPv6, DNS, DDNS, NTP, RTSP, SADP, SMTP, SNMP, NFS, iSCSI, ISUP, UPnP™, HTTP, HTTPS
Remote Connection	256
RAID	
RAID Type	RAID0, RAID1, RAID5, RAID6, RAID10
Auxiliary Interface	
eSATA	1 eSATA interface
SATA	24 SATA interfaces supporting hot-plug
Capacity	Up to 20 TB for each HDD
Serial Interface	1 RS-485 (full-duplex), 1 RS-232
Alarm In/Out	16/8
USB Interface	Front panel: 2 × USB 2.0; Rear panel: 4 × USB 3.0
General	
Power Supply	100 to 240 VAC, 50 to 60 Hz, redundant power supply
Consumption	≤ 75 W (without HDD)

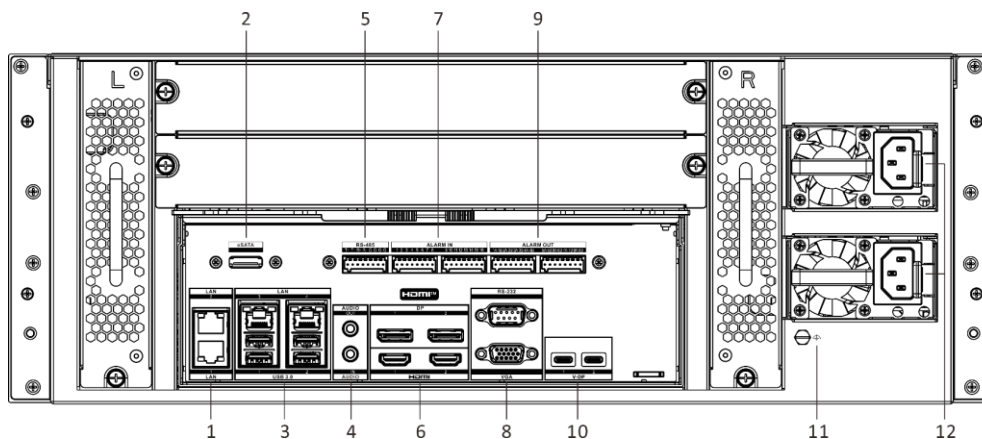
Working Temperature	0 °C to + 50 °C (32 °F to 122 °F)
Working Humidity	10% to 90%
Chassis	4U chassis
Dimension (W × D × H)	447 × 489 × 173 mm (17.6" × 19.3" × 6.8")
Weight	≤25 kg (without HDD, 55.1 lb.)

Dimension



Scale 1:1 Unit: mm

Physical Interface



No.	Description	No.	Description
1	LAN interfaces	7	Alarm in
2	eSATA interface	8	VGA interface and RS-232 serial interface
3	USB 3.0 and LAN interfaces	9	Alarm out
4	Audio in and out	10	V-DP interfaces
5	RS-485 serial interface	11	GND
6	HDMI and DP interfaces	12	Power supply

Available Model

DS-96128NI-H24R

Headquarters

No.555 Qianmo Road, Binjiang District,
Hangzhou 310051, China
T +86-571-8807-5998
www.hikvision.com



Follow us on social media to get the latest product and solution information.

