

## IP EYE-SIGHT SERIES

The new Eye-Sight series serves the security professionals seeking a professional line featuring outstanding image quality, full connectivity, and enhanced video analytics functions based on **Artificial Intelligence**.



# DAI-320IPEN-28

## 20M IR 2MP DDA ANALYTICS FIXED LENS DOME ANTI-VANDAL CAMERA

Equipped with a 2.8mm fixed lens, this 2MP anti-vandal camera is designed for short-distance surveillance (up to 20m) in indoor and outdoor scenarios. Designed to monitor high-security areas (such as banks, hotels, and chain stores) and capture crime in the act, the camera features vandal-proof IK10 protection, which makes it extremely hard to sabotage. The camera offers broad possibilities for Analytics, from Face Detection to the outstanding DDA Analytics (Detect, Distinguish, Alert), which can perform object recognition and object counting. With various detection rules and triggers, the DAI-320IPEN-28 camera will help end false alarms.



### MAIN FEATURES

- 2MP
- EYE-SIGHT
- 1920x1080 Resolution
- Wide field of view 108°
- 3D-DNR
- IP67, IK10
- DDA Analytics
- Audio in + Built-in microphone

### ANALYTICS

- General Analytics: Camera Tampering
- AI (Object Recognition): DDA Sterile Area, DDA Line Crossing, DDA Object Counting
- AI (Face Detection): 10 Faces per frame



## SPECIFICATIONS

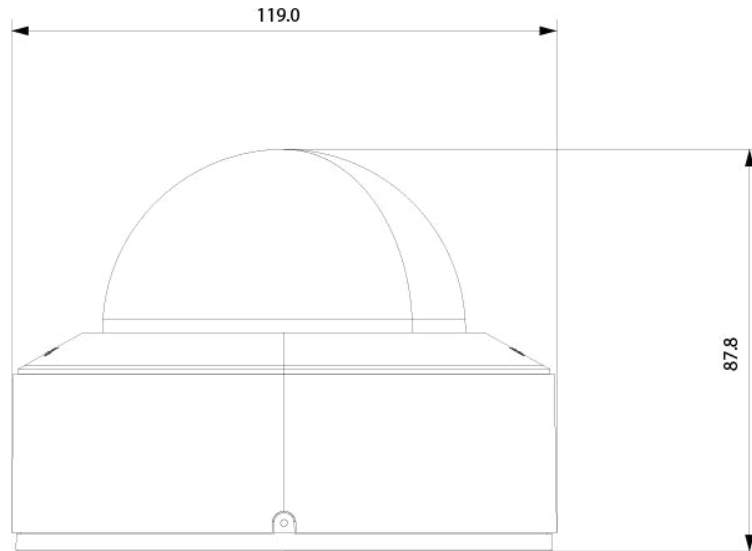
|                      |   |                  |
|----------------------|---|------------------|
| Image Sensor         | 1/2.8" CMOS (16:9)  |                  |
| Effective Pixels     | 1920x1080   |                  |
| Electronic Shutter   | 1/25s ~ 1/100000s   |                  |
| Frame Rate           | 1-25/30FPS  |                  |
| Day & Night          | ICR   |                  |
| Min. Illumination    | Day: 0.1lux / Night: 0.005lux (@F1.6, AGC on) 0lux with IR on   |                  |
| Audio compression    | G.711A/G.711U   |                  |
| Communication        | One-way Audio   |                  |
| Image Settings       | AWB, AGC Adjustable, Exposure Mode (Auto)<br>Sharpness, Saturation, Brightness & Contrast Adjustable  |                  |
| Image Enhancement    | True WDR (120dB), BLC, HLC, ROI   |                  |
| Noise Reduction      | 3D-DNR  |                  |
| Image Orientation    | Mirror/Flip   |                  |
| Privacy Zone         | Yes   |                  |
| Motion Detection     | Yes   |                  |
| Analytics            | General Analytics: Camera Tampering<br>AI (Object Recognition): DDA Sterile Area, DDA Line Crossing, DDA Object Counting<br>AI (Face Detection): 10 Faces per frame |                  |
| DRI Distance         | Detect  | 41.49m(136.12ft) |
|                      | Recognize   | 8.30m(27.23ft)   |
|                      | Identify  | 4.15m(13.61ft)   |
| Video Compression    | H.265S/H.264S*, H.265+/H.264+/H.265/H.264/MJPEG**   |                  |
| Resolution           | 2MP / 1MP / D1 (704x576) / QVGA (480x240) / CIF (352x288)   |                  |
| Multi-Stream         | Master Stream: 2MP (1920x1080) / 1MP (1280x720) (1~30fps)<br>Substream: 1MP/QVGA/D1/CIF<br>Third Stream: QVGA/D1/CIF (1~30fps)                                      |                  |
| Bit rate             | 64Kbps ~ 4Mbps@H.265 / 64Kbps ~ 6Mbps@H.264   |                  |
| Encode Mode          | VBR/CBR   |                  |
| Image Quality        | Five levels under VBR; Free adjustment under CBR  |                  |
| IR Distance          | 20m (3 High-Power IR LED)   |                  |
| Lens (Field of View) | 2.8mm (108°)  |                  |

\*Main Stream only, \*\*Substream only, \*\*\*1080p, no true-WDR

## SPECIFICATIONS

|                     |   |
|---------------------|---|
| Iris                | Fixed Iris  |
| Lens Mount          | M12 mount   |
| Protection Rate     | Waterproof: IP67, Vandal-Proof: IK10  |
| Bracket             | 3-Axis Bracket  |
| Dimensions          | Ø119x87.8mm   |
| Weight (gross)      | ~650g   |
| Network             | RJ45 (+PoE)   |
| Power               | DC Socket   |
| Analog Video Output | Technician Port   |
| Audio Connectivity  | Built-in Microphone + Audio Input   |
| SD Card             | Event/Schedule based Main/Substream recording (Up to 128Gb)                                       |
| Hard Reset Button   | Yes   |
| Alarm               | Alarm in + Alarm out  |
| Remote Monitoring   | IE Browsing, VMS Software, Provision Cam2 Mobile App  |
| User Access         | Supports simultaneous monitoring of up to 10 users with multi-stream real-time transmission       |
| Network Protocol    | IPv4, IPv6, TCP, UDP, DHCP, NTP, DDNS, 802.1X, RTSP, Multicast, UPnP, Email, FTP, HTTPS, QoS, P2P |
| ONVIF               | Yes   |
| Ethernet            | 100Mbps   |
| PoE                 | Yes   |
| Power Supply        | DC12V/~620mA / PoE/~6.3W  |
| Work Environment    | -30°C~60°C, 10%~90% Humidity  |
| Junction Box        | PR-JB12IP66 - PR-WB-A   |

## DIMENSIONS



## ACCESSORIES



PR-JB12IP66



PR-WB-A