

NDAA EYE-SIGHT SERIES

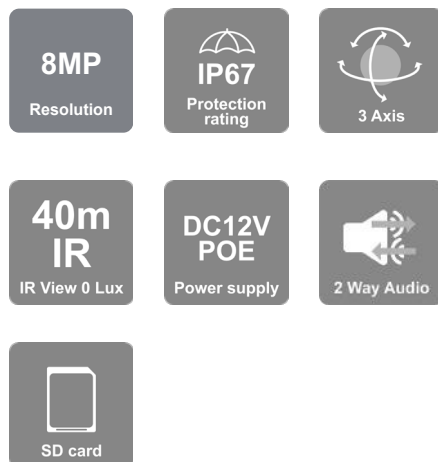
The new Eye-Sight series serves security professionals seeking a professional line featuring outstanding image quality, full connectivity, and enhanced video analytics functions based on **Artificial Intelligence**.



DI-380IPEN-MVF-V3

40M IR 8MP DDA ANALYTICS MOTORIZED LENS DOME CAMERA WITH BUILT-IN CHECK POINT PROTECTION

Equipped with a 2.8-12mm motorized lens, this 8MP Dome camera is designed for long-distance surveillance (up to 40m) in indoor and outdoor scenarios. The camera offers outstanding DDA Analytics (Detect, Distinguish, Alert), which can perform human and vehicle recognition. With various detection rules and triggers, the DI-380IPEN-MVF-V3 camera is here to end false alarms and ensure your devices are cyber-protected with Check Point protection.



MAIN FEATURES

- 8MP
- EYE-SIGHT
- 3840x2160 Resolution
- 2.8-12mm Motorized Vari-Focal (96°- 32°)
- 3D-DNR
- IP67
- DDA2 Analytics
- 2-Way Audio
- Alarm in + out

ANALYTICS

- General Analytics: Camera Tampering
- AI (Object Recognition): Humans, 2/4 wheel vehicles
DDA Sterile Area
DDA Line Crossing
DDA Object Counting
- AI (Face Detection): 10 Faces per frame
- AI: Heatmap
- DDA2: Advanced Object Classification



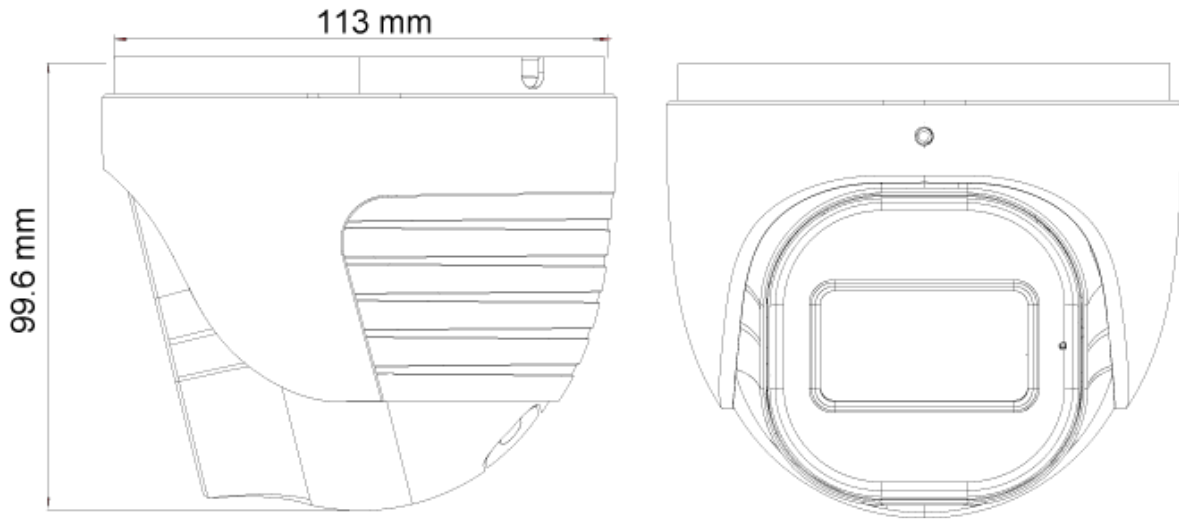
SPECIFICATIONS

Image Sensor	1/2.8" CMOS
Effective Pixels	3840x2160
Electronic Shutter	1/3s ~ 1/10000s
Frame Rate	8MP @ 1-20FPS, 6MP @ 1-20FPS, 5MP @ 1-25/30, 4MP @ 1-25/30, 2MP 1-25/30 in normal mode. 1-50/60FPS in HFR Mode***
Day & Night	ICR
Min. Illumination	0.015 lux (@F1.4, AGC on) 0 lux with IR on
Audio compression	G.711A/G.711U
Communication	2-Way Audio
Image Settings	AWB, AGC Adjustable, Exposure Mode (Auto) Sharpness, Saturation, Brightness & Contrast Adjustable
Image Enhancement	True WDR*** (120dB), BLC, HLC, ROI
Noise Reduction	3D-DNR
Image Orientation	Mirror/Flip
Privacy Zone	Yes
Motion Detection	Yes
Analytics	General Analytics: Camera Tampering AI (Object Recognition): DDA Sterile Area, DDA Line Crossing, DDA Object Counting AI (Face Detection): 10 Faces per frame AI: Heatmap DDA2: Advance Object Classification
DRI Distance	Detect 2.8~12mm(W) 80m(262ft) - 2.8~12mm(T) 273m(896ft) Recognize 2.8~12mm(W) 16m(52ft) - 2.8~12mm(T) 55m(180ft) Identify 2.8~12mm(W) 8m(26ft) - 2.8~12mm(T) 27m(89ft)
Video Compression	H.265S/H.264S*, H.265+/H.264+/H.265/H.264, MJPEG**
Resolution	8MP / 4K / 6MP / 5MP / 4MP / 2MP / 1MP / D1 / QVGA / CIF
Multi-Stream	Master Stream: 4K(3840x2160) (1~20fps) / 6MP(3072x2048) / 5MP(2592x1944) / 2K(2560x1440) / 2MP(1920x1080) Substream: 2MP/1MP/D1/CIF/QCIF Third Stream: 1MP/D1/CIF/QCIF (1~30fps)
Bit rate	64Kbps ~ 8Mbps@H.265 / 64Kbps ~ 12Mbps@H.264
Encode Mode	VBR/CBR
Image Quality	Five levels under VBR; Free adjustment under CBR
IR Distance	40m (4 High-Power IR LED)
Lens (Field of View)	2.8-12mm MVF with Auto Focus (96° - 32°)

SPECIFICATIONS

Iris	DC Iris (F1.4)
Lens Mount	Ø14 Mount
Protection Rate	Water Proof: IP67
Bracket	3-Axis Bracket
Dimensions	Ø113mm×99.6mm
Weight (gross)	~1040g
Network	RJ45 (+PoE)
Power	DC Socket
Analog Video Output	No
Audio Connectivity	Audio input + Audio output
SD Card	Event/Schedule based Main/Substream recording (Up to 256Gb)
Hard Reset Button	Yes
Alarm	No
Remote Monitoring	IE Browsing, VMS Software, Provision Cam2 Mobile App
User Access	Supports simultaneous monitoring of up to 10 users with multi-stream real-time transmission
Network Protocol	IPv4, IPv6, TCP, UDP, DHCP, NTP, DDNS, 802.1X, RTSP, Multicast, UPnP, Email, FTP, HTTPS, QoS, P2P
ONVIF	Yes
Ethernet	100Mbps
PoE	Yes
Power Supply	DC12V/~910mA / PoE/~8.2W
Work Environment	-30°C~60°C, 10%~90% Humidity
Junction Box	PR-JB14IP66 - PR-JB14IP64

DIMENSIONS



ACCESSORIES

For DI-VF Lens, DI-MVF Lens & DH-Fixed Lens, DH-MVF Lens

