

Stopping plugs - type CB and type CF

Technical specification

The comprehensive Raxton range of stopping plugs are designed to close off any unused entries in electrical equipment, whilst maintaining existing certification and ingress protection.

Type CB RX stopping plugs

Type CB RX stopping plugs are inserted with the Allen/hex key aperture pointing away from the equipment and tightened from the outside.

Type CF tamper-proof stopping plugs

Type CF tamper-proof stopping plugs are inserted from the outside with the Allen/hex key aperture pointing towards the equipment and then tightened from the inside, leaving a flush finish to prevent unauthorised removal.

All Raxton stopping plugs are marked with the appropriate approval numbers and size.



Type CB



Type CF

Certifications and compliances



Code of protection categories

ATEX: I/II 2 GD, Ex db I/II C Mb/Gb, Ex eb I/II C Mb/Gb, Ex tb IIIC Db IP66

IECEX / INMETRO /

EAC: Ex d I/II C Mb/Gb, Ex e I/II C Mb/Gb, Ex tb IIIC Db IP66

NEPSI: Ex d IIC, Ex e IIC, Ex tD

CSA: CII Zn 1 AEx db IIC Gb, Ex db IIC Gb (see certificate for threadforms & material details)

Compliance standards

ATEX / EAC: EN 60079-0, EN 60079-1, EN 60079-7, EN 60079-31

IECEX: IEC 60079-0, IEC 60079-1, IEC 60079-7, IEC 60079-31

CSA: CSA-C22.2 No. 60079-0, CSA-C22.2 No. 60079-1
ANSI/UL 60079-0, ANSI/UL 60079-1

INMETRO: ABNT NBR IEC 60079-0, ABNT NBR IEC 60079-1, ABNT NBR

NEPSI: IEC 60079-7, ABNT NBR IEC 60079-31
GB 3836.1, GB 3836.2, GB 3836.3, GB 12476.1, GB 12476.5

Certificate details

ATEX: ITS16ATEX101335X

IECEX: IECEX ITS16.0012X

CSA: 200455-1003277

EAC: TC RUC-G B.MO62.B.06226

INMETRO: NCC 18.0133X

NEPSI: GYJ18.1470X

Temperature

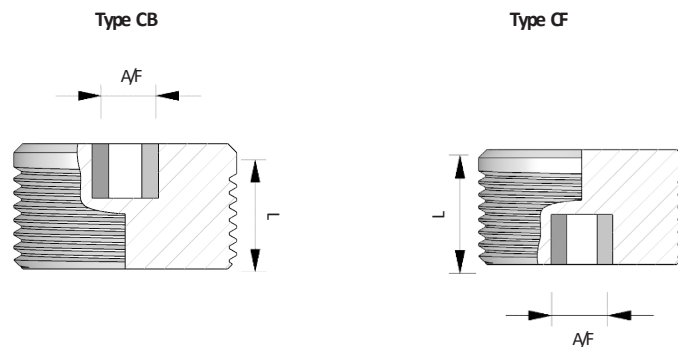
-60°C to +200°C

Ingress protection (IP)

IP66/68 (according to manufacturer's instructions).

Thread	Allen/hex key aperture A/F (mm)	Thread length L (mm)
M16	60	170
M20	100	170
M25	100	170
M32	100	170
M40	190	170
M50	190	170
M63	190	170
M75	190	170

Other sizes /threads are available upon request.



Stopping plugs - type CK and type CY

Technical specification

The comprehensive Raxton range of stopping plugs are designed to close off any unused entries in electrical equipment, whilst maintaining existing certification and ingress protection.

Type CK hex head stopping plugs

Type CK hex head stopping plugs are inserted from the outside of the equipment and tightened by means of a spanner.

Type CY hollow hex head stopping plugs

Type CY hollow hex head stopping plugs are a hollow version of the type CK hex head plug. These are lighter and have Ex d/ Ex e certification. The type CY plug is not suitable for mining applications.

All Raxton stopping plugs are marked with the appropriate approval numbers and size.



Type CK



Type CY

Certifications and compliances



Code of protection categories

ATEX:	I/II 2 GD Ex db I/II C Mb/Gb, Ex eb I/II C Mb/Gb (Gr I not for type CY)
IECEX/ INMETRO:	Ex tb IIIC Db IP66
EAC:	Ex d I/II C Mb/Gb, Ex e I/II C Mb/Gb, Ex tb IIIC Db IP66 (Group I not for Type CY)
CSA:	CII Zn 1 AEx db IIC Gb, Ex db IIC Gb (see certificate for thread forms & material details)
NEPSI:	Ex d IIC, Ex e IIC, Ex tD

Compliance standards

ATEX / EAC:	EN 60079-0, EN 60079-1, EN 60079-7, EN 60079-31
IECEX:	IEC 60079-0, IEC 60079-1, IEC 60079-7, IEC 60079-31
CSA:	CSA-C22.2 No. 60079-0, CSA-C22.2 No. 60079-1 ANSI/UL 60079-0, ANSI/UL 60079-1 (not NPT threads for CY)
INMETRO:	ABNT NBR IEC 60079-0, ABNT NBR IEC 60079-1, ABNT NBR IEC 60079-7, ABNT NBR IEC 60079-31
NEPSI:	GB 3836.1, GB 3836.2, GB 3836.3, GB 12476.1, GB 12476.5

Certificate details

ATEX:	ITS16ATEX101335X
IECEX:	IECEX ITS16.0012X
CSA:	200455-1003277
EAC:	TC RUC-G B.MK062.B.06226
INMETRO:	NCC 18.0133X
NEPSI:	GYJ18.1470X

Temperature

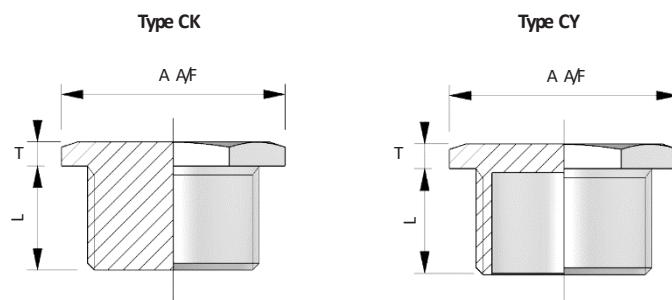
-60°C to +200°C ; depending on O-ring or sealing washer used

Ingress protection (IP)

IP66/68 (according to manufacturer's instructions).

Thread	Overall length A A/F (mm)	Thread length L (mm)	Head depth T (mm)
M12	14.0	15.0	3.5
M16	19.0	15.0	4.0
M20	24.0	15.0	4.0
M25	27.9	15.0	4.0
M32	37.6	15.0	4.0
M40	47.2	15.0	5.0
M50	55.9	15.0	6.0
M63	70.0	15.0	7.0
M75	80.0	15.0	8.0
M80	90.0	20.0	9.0
M90	95.0	20.0	10.0
M100	105.0	20.0	11.0

Other sizes /threads are available upon request.



Stopping plugs - type CQ

Technical specification

The comprehensive Raxton range of stopping plugs are designed to close off any unused entries in electrical equipment, whilst maintaining existing certification and ingress protection.

Type CQ dome head stopping plugs

Type CQ dome head stopping plugs can be offered as an alternative to the hex head stopping plug and are inserted from the outside of the equipment and tightened by means of an Allen or hex key.

Type CQ dome head stopping plugs are available as metallic Ex d/Ex e or nylon Ex e versions. The nylon version is supplied with an undercut and EPDM O-ring as standard.

All Raxton stopping plugs are marked with the appropriate approval numbers and size.



Type CQ



Type CQ

Type CQ plugs - certifications and compliances



Code of protection categories

ATEX:	I/II 2 GD, Ex db I/II C Mb/Gb, Ex eb I/II C Mb/Gb (Nylon not Gr I) Ex tb IIIC Db IP66
IECEX / INMETRO /	
EAC:	Ex d I/II C Mb/Gb, Ex e I/II C Mb/Gb, Ex tb IIIC Db IP66
CSA (not for Nylon)	CII Zn 1 AEx db IIC Gb, Ex db IIC Gb (see certificate for threadforms & material details)
NEPSI:	Ex d II C Gb, Ex e II C Gb, Ex tD

Compliance standards

ATEX / EAC:	EN 60079-0, EN 60079-1, EN 60079-7, EN 60079-31
INMETRO:	ABNT NBR IEC 60079-0, ABNT NBR IEC 60079-1, ABNT NBR IEC 60079-7, ABNT NBR IEC 60079-31
NEPSI:	GB 3836.1, GB 3836.2, GB 3836.3, GB 12476.1, GB 12476.5
IECEX:	IEC 60079-0, IEC 60079-1, IEC 60079-7, IEC 60079-31
CSA (not for Nylon)	CSA-C22.2 No. 60079-0, CSA-C22.2 No. 60079-1 ANSI/UL 60079-0, ANSI/UL 60079-1

Certificate details

ATEX:	ITS16ATEX101335X
IECEX:	IECEX ITS16.0012X
CSA	200455-1003277 (brass and stainless only)
NEPSI:	GYJ18.1470X
EAC:	TC RUC-G B.MO62.B.06226
INMETRO:	NCC 18.0133X

* Ex db I Mb, Ex eb I Mb (except for aluminum & nylon)

Temperature

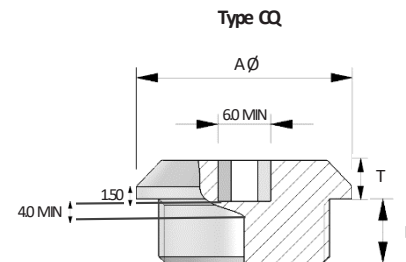
The item is classified as a component and therefore metallic products are not given an operating temperature range.

Ingress protection (IP):

IP66/68 (according to manufacturer's instructions)

Thread	F A/F + .3 - .0 (mm)	A Ø (mm)	Head depth T (mm)	Thread length L (mm)
M16	60	200	5.0	15.0
M20	100	250	5.0	15.0
M25	100	300	5.0	15.0
M32	100	380	5.0	15.0
M40	190	460	5.0	15.0
M50	190	570	5.0	15.0
M63	190	700	5.0	15.0
M75	190	820	5.0	15.0

Other sizes /threads are available upon request.



Type CQ

A Ø

60 MIN

T

L

150

40 MIN

Stopping plugs – Product coding

DIGIT 1+2		CODE
Product	Description	
PLUGS	RX (External Accessible)	CB
	TAMPERPROOF (Internal Accessible)	CF
	HEX HEAD	CK
	HEX HEAD (Hollow)	CY
	DOME HEAD	CQ

Glass filled Nylon available in CQ type only

DIGIT 3	CODE
MATERIAL	
BRASS	A
ALUMINUM	B
STEEL	C
STAINLESS STEEL	E
GLASS FILLED NYLON	M

DIGIT 8 (APPROVAL)	CODE
Exd/Exe	Y
Nylon (Exe only)	E
None	F

DIGIT 9 (Undercut)	CODE
Yes	U
None	X or Blank

DIGIT 10 (PLATING)	CODE
None	Blank
Nickel	N
Zinc	Z

DIGIT 4+5 (Male thread)						DIGIT 6+7 (Female thread)							
THREAD REFERENCE TABLE													
ISOMETRIC		NPT		BSPT		BSPP		NPSM		PG		ET	
SIZE	CODE	SIZE	CODE	SIZE	CODE	SIZE	CODE	SIZE	CODE	SIZE	CODE	SIZE	CODE
M12	04	½"	42	½"	52	½"	62	½"	72	PG7	20	¾"	31
M16	11	¾"	43	¾"	53	¾"	63	¾"	73	PG9	21	¾"	32
M20	12	1"	44	1"	54	1"	64	1"	74	PG11	22	1"	33
M25	13	2"	47	2"	57	2"	67	2"	77	PG21	25	2"	36
M32	14	3"	49	3"	59	3"	69	3"	79	PG36	27	3"	38
M40	15	4"	87	SPECIAL	50	SPECIAL	60	4"	70	PG48	29		
M50	16	SPECIAL	40					SPECIAL	70				
M63	17												
M75	18												
M80	80												
M90	81												
M100	82												
SPECIAL	10												

NOTE: Male thread is always quoted First (Digit 4+5) followed by the Female thread (Digit 6+7)
 Other threads are available, please consult the sales department
 Digit 8 Approval
 Digit 9: U = Undercut Otherwise Blank or use X if Plating is required
 Digit 10 (Plating) is Blank if no plating is required

EXAMPLES							
Product	Material	Male thread	Female thread	Approval	Undercut	Plating	
Plug	Brass	½" NPT	N/A	Exd/Exe	None	Nickel	Part Number
CQ	A	42	00	Y	X or Blank	N	CQA4200YXN
Plug	GF Nylon	M20	N/A	Exe	Yes	None	Part Number
CQ	M	12	00	E	U	Blank	CQM1200EU