

# PoE extenders for IP cameras





# What is worth knowing?

## Accessories for extenders in hermetic enclosure

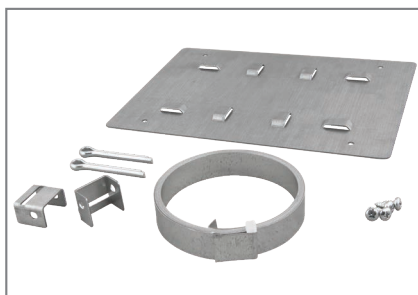
### What is worth knowing?

PoE extender is LAN device that allows data and power transmission using one twisted pairs wire. Extender is mainly powered by PoE (sometimes it also has option of local power supply). PoE extenders should be used if we exceed distance of 100m between LAN devices (this guarantees correct data transmission in LAN). Another very common use of extenders is to use them as devices that allow you to connect additional cameras and transmit data using one twisted pairs wire. Examples of solutions are shown in following diagrams. Please note allowable power of connected devices.

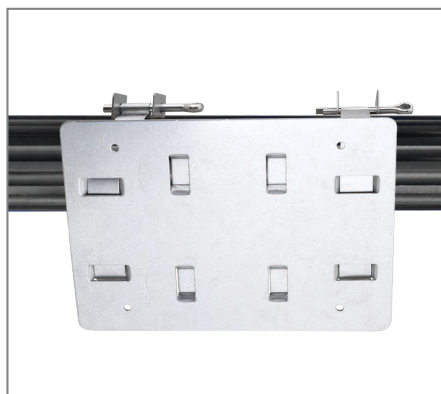
### Application:

- Increased data and power transmission distance
- Possibility to connect more PoE IP cameras using one twisted pairs wire

### Accessories for extenders in hermetic enclosure



**OZB2** – Metal clamp with mounting plate



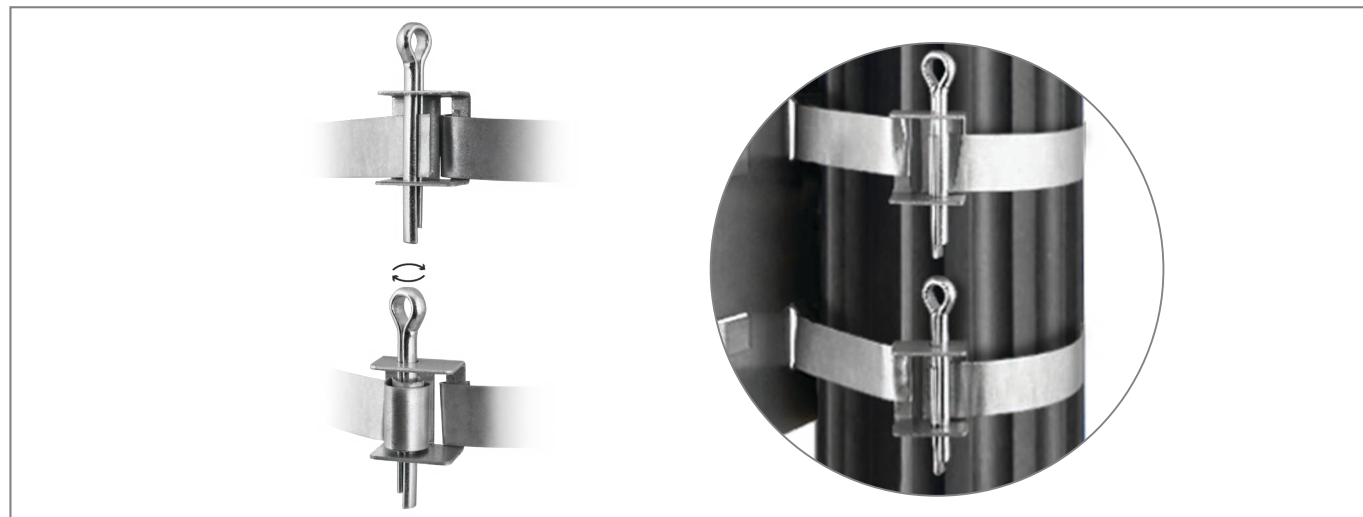
Horizontal pole mounting



Vertical pole mounting



Example of assembly



# PoE extender

Desktop / for DIN rail / in hermetic enclosure – IP56



## Desktop / for DIN rail

Code	Additional power input	RJ45 input / compliant with IEEE 802.3.....	RJ45 output / compliant with IEEE 802.3.....	Output power [W]	Total power [W]	Supports networks	Installation		Dimensions LxWxH [+/- 2mm]
							DIN rail	Mounting screws	
EXT-POE2	—	PoE IN / compliant - af/at	PoE OUT1 / compliant - af PoE OUT2 / compliant - af	15,4W / port 15,4W / port	20W	10/100 Mb/s	—	✓	81x77x26
EXT-POEG2	—	PoE IN / compliant - af/at	PoE OUT1 / compliant - af PoE OUT2 / compliant - af	15,4W / port 15,4W / port	20W	10/100/1000 Mb/s	—	✓	103x50x29
EXT-POE4	DC IN 44 - 57 V DC	PoE IN / compliant - af/at	PoE OUT1 / not compliant PoE OUT2 / not compliant	15,4W / port 15,4W / port	20W	10/100 Mb/s	—	✓	81x77x26
EXT-POE3DIN	—	PoE IN / compliant - af/at	PoE OUT1 / compliant - af PoE OUT2 / compliant - af PoE OUT3 / compliant - af	15,4W / port 15,4W / port 15,4W / port	15W	10/100 Mb/s	✓	✓	50x23x81
EXT-POEG3DIN	—	PoE IN / compliant - af/at	PoE OUT1 / compliant - af PoE OUT2 / compliant - af PoE OUT3 / compliant - af	15,4W / port 15,4W / port 15,4W / port	20W	10/100/1000 Mb/s	✓	✓	50x23x81
EXT-POE3	—	PoE IN / compliant - af/at	PoE OUT1 / compliant - af/at PoE OUT2 / compliant - af/at PoE OUT3 / not compliant	30W / port 30W / port 15,4W / port	30W	10/100 Mb/s	—	✓	81x77x26
EXT-POEG5	DC IN 48 - 57 V DC	PoE IN / compliant - af/at/bt	PoE OUT1 / compliant - af/at PoE OUT2 / compliant - af/at PoE OUT3 / compliant - af/at PoE OUT4 / compliant - af/at	30W / port 30W / port 30W / port 30W / port	40W - 60W (depends on way of supplying)	10/100/1000 Mb/s	—	✓	118x85x28



## In hermetic enclosure – IP56

Code	Additional power input	RJ45 input / compliant with IEEE 802.3af/at	RJ45 output / compliant with IEEE 802.3af	Output power	Number of cable glands / Ø cables	Dimensions WxHxD [+/- 2mm]
EXT-POE2H	—	PoE IN / zgodny	PoE OUT1 / compliant PoE OUT2 / compliant	15,4W / port (Σ = 20W)	4 pieces / 6 - 13mm	148x198x78
EXT-POE3H		PoE IN / zgodny	PoE OUT1 / compliant PoE OUT2 / compliant PoE OUT3 / not compliant	20W / port (OUT1/2) 15,4W / port (OUT3) (Σ = 30W)		
EXT-POE4H	DC IN 44 - 57 V DC	PoE IN / zgodny	PoE OUT1 / not compliant PoE OUT2 / not compliant	15,4W / port (Σ = 20W)		

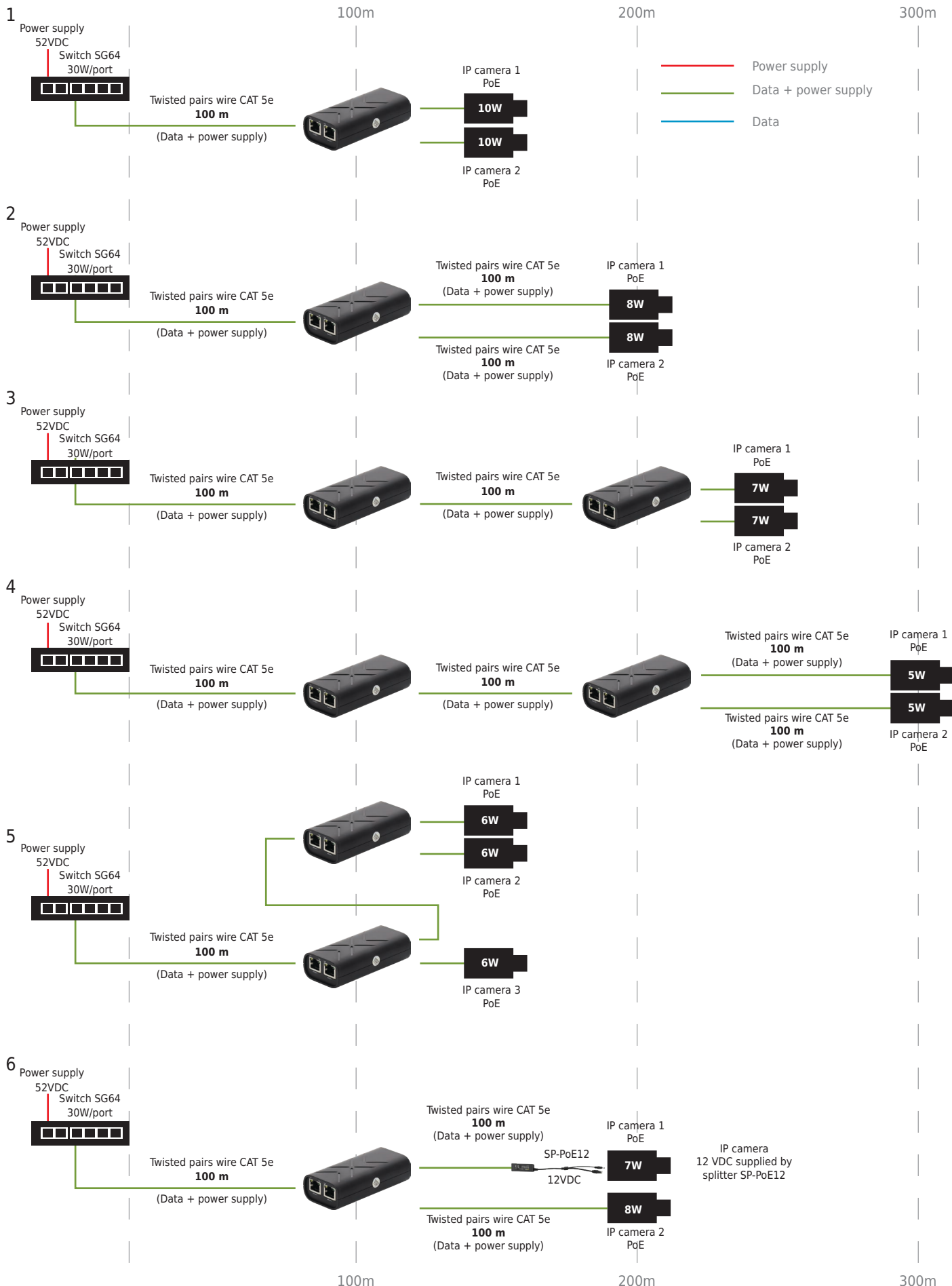


# Application EXT-POEG2

## operation in 10/100/1000 Mb/s networks (min. UTP cat. 5e)



EXT-POEG2  
10/100/1000 Mb/s



# Application EXT-PoE4

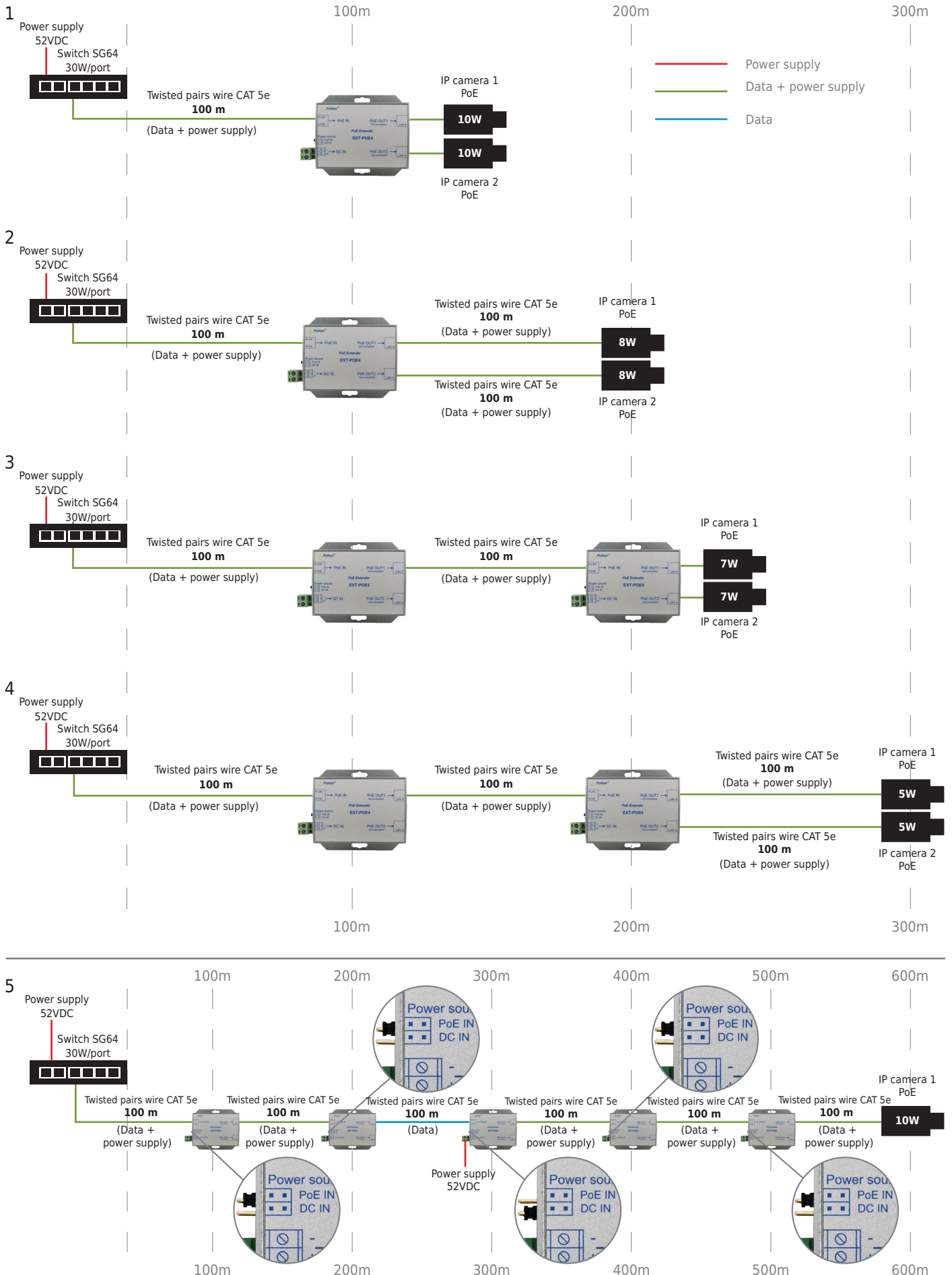
## Application EXT-PoE4 and EXT-PoE4H (in hermetic enclosure)



EXT-PoE4

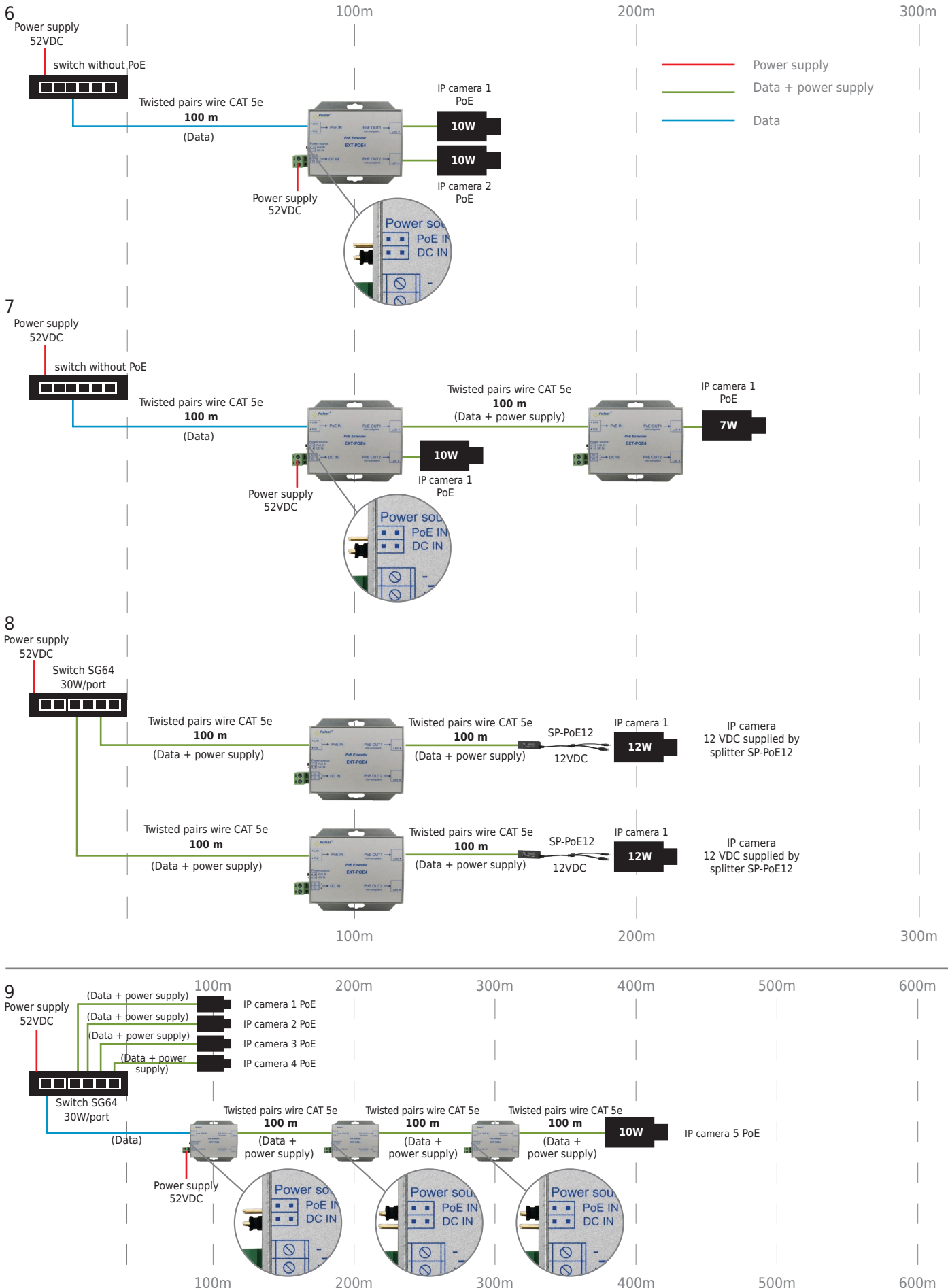


EXT-PoE4H hermetic



# Application EXT-PoE4

## Application EXT-PoE4 and EXT-PoE4H (in hermetic enclosure)





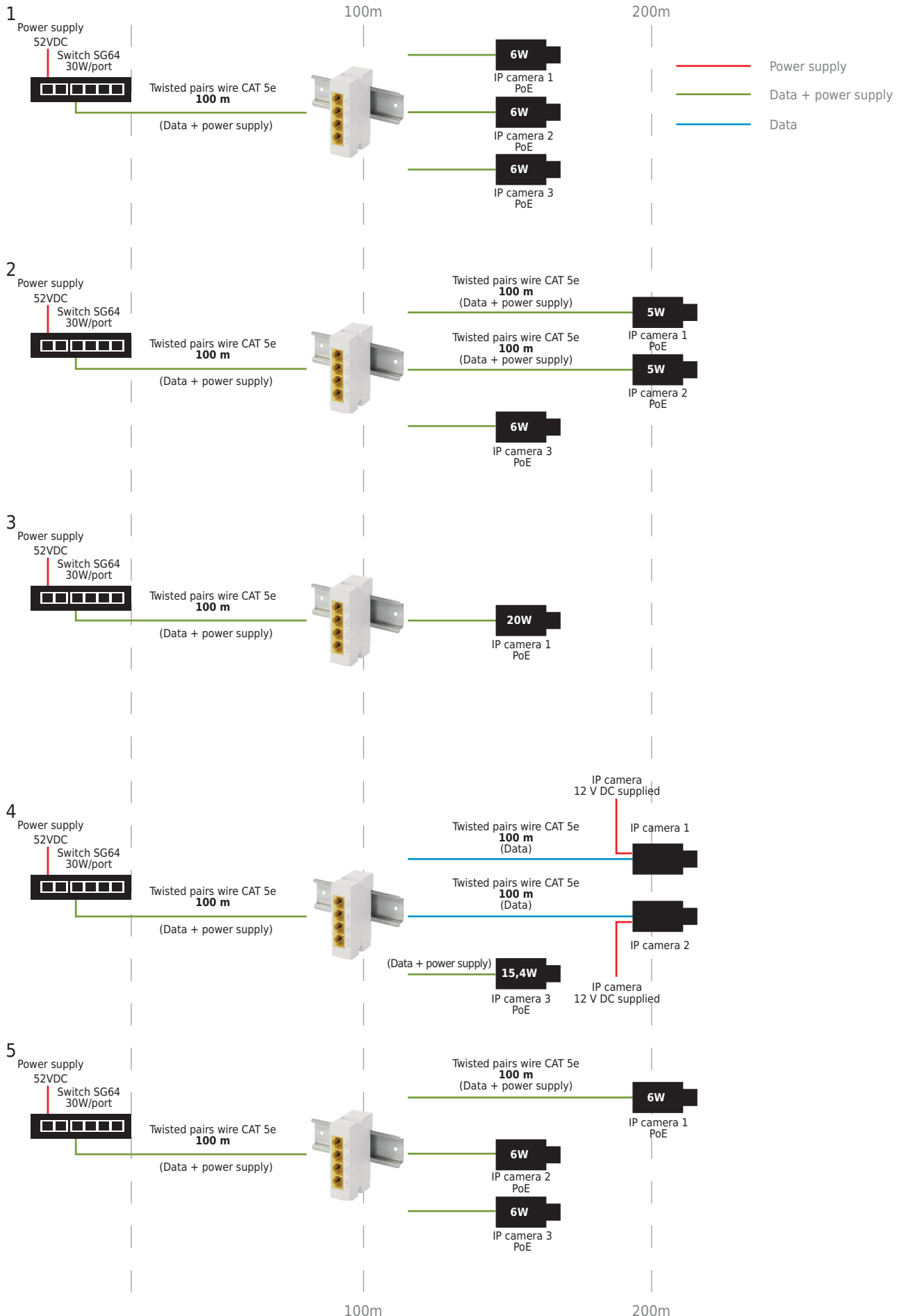
# Application EXT-POEG3DIN

for DIN rail,

connection to 10/100/1000 Mb/s (min. UTP cat. 5e) network



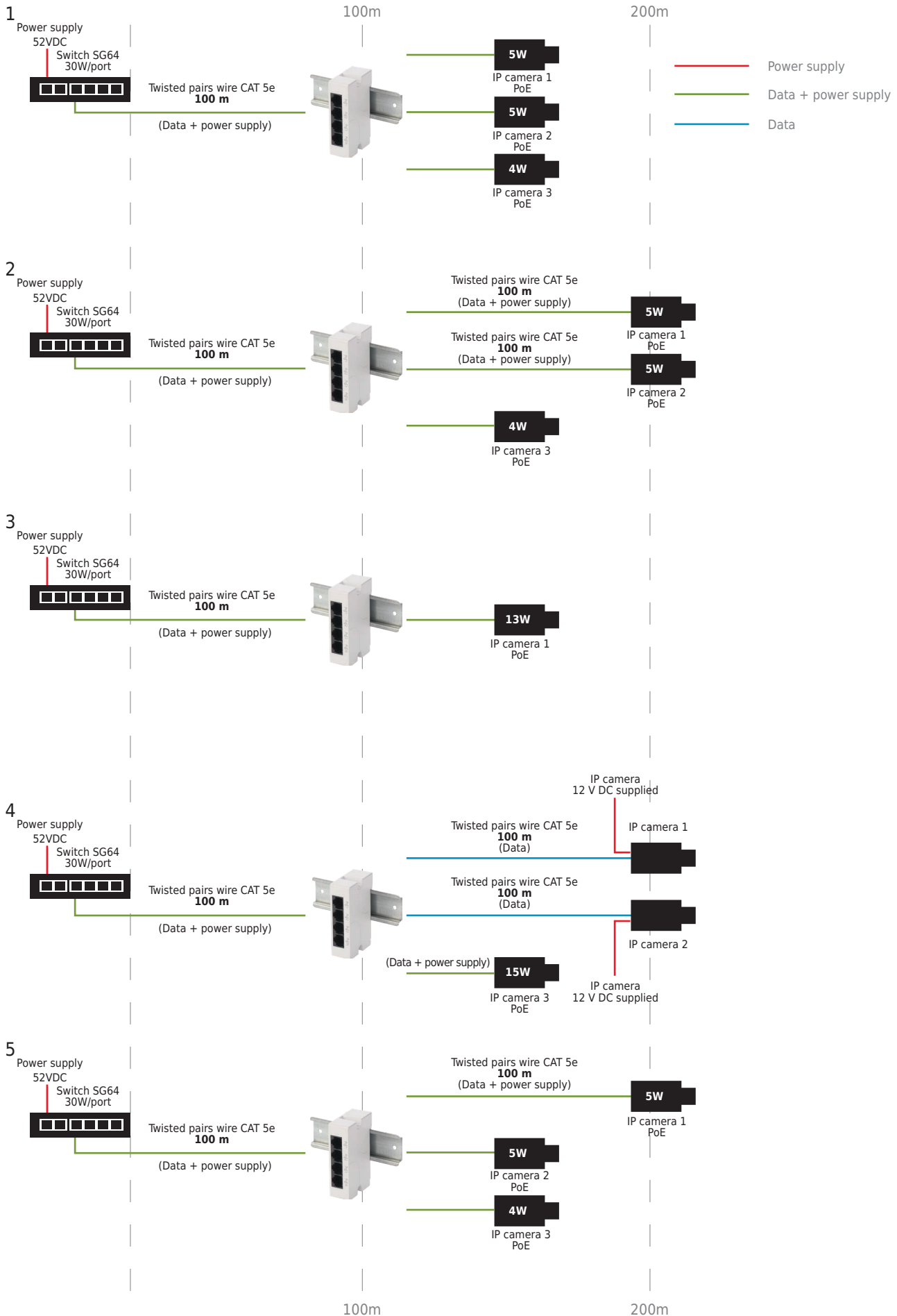
EXT-POEG3DIN



# Application EXT-POE3DIN for DIN rail, connection to 10/100 Mb/s network



EXT-POE3DIN



# Application EXT-PoE3

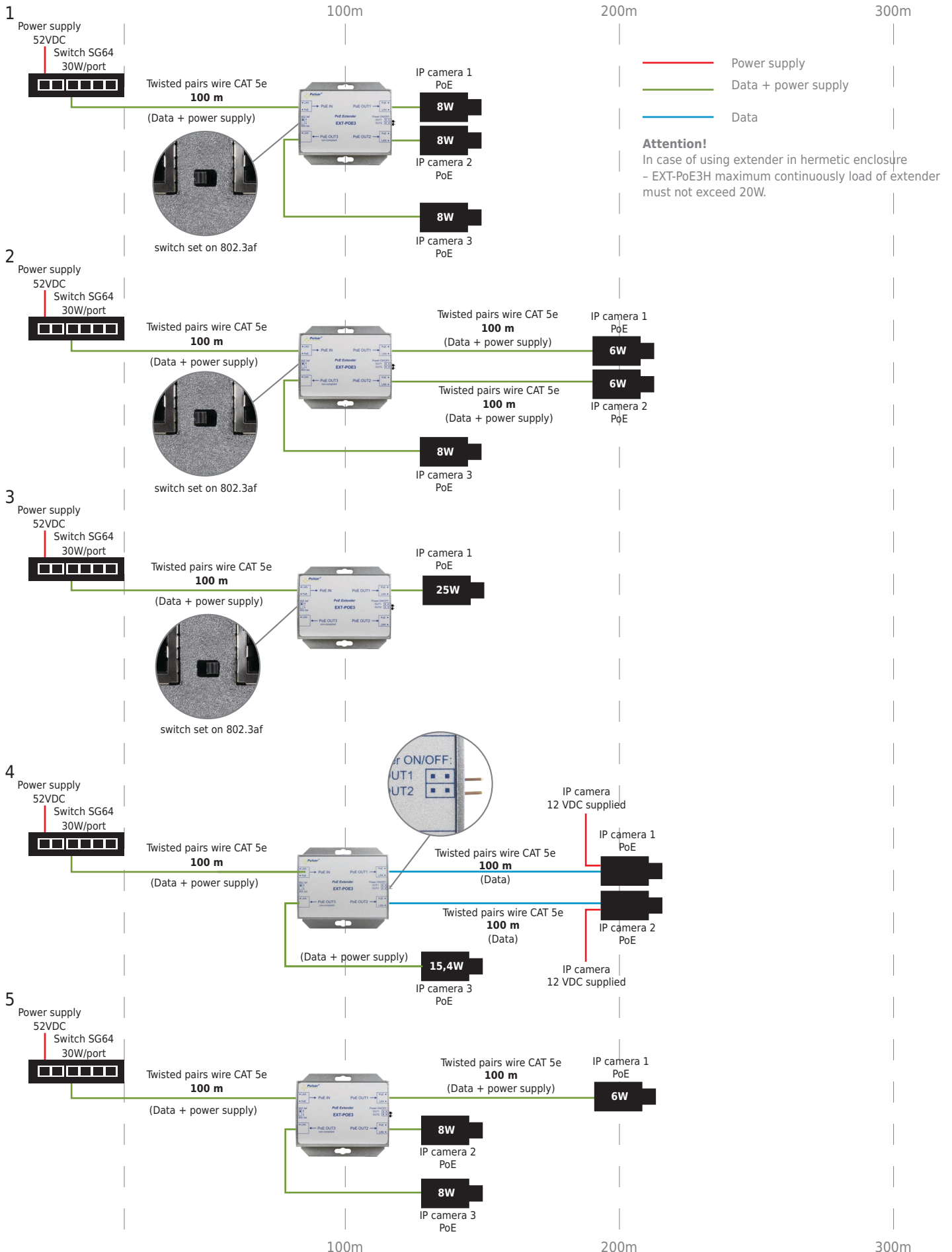
## Application EXT-PoE3 and EXT-PoE3H (in hermetic enclosure)



EXT-PoE3



EXT-PoE3H hermetic

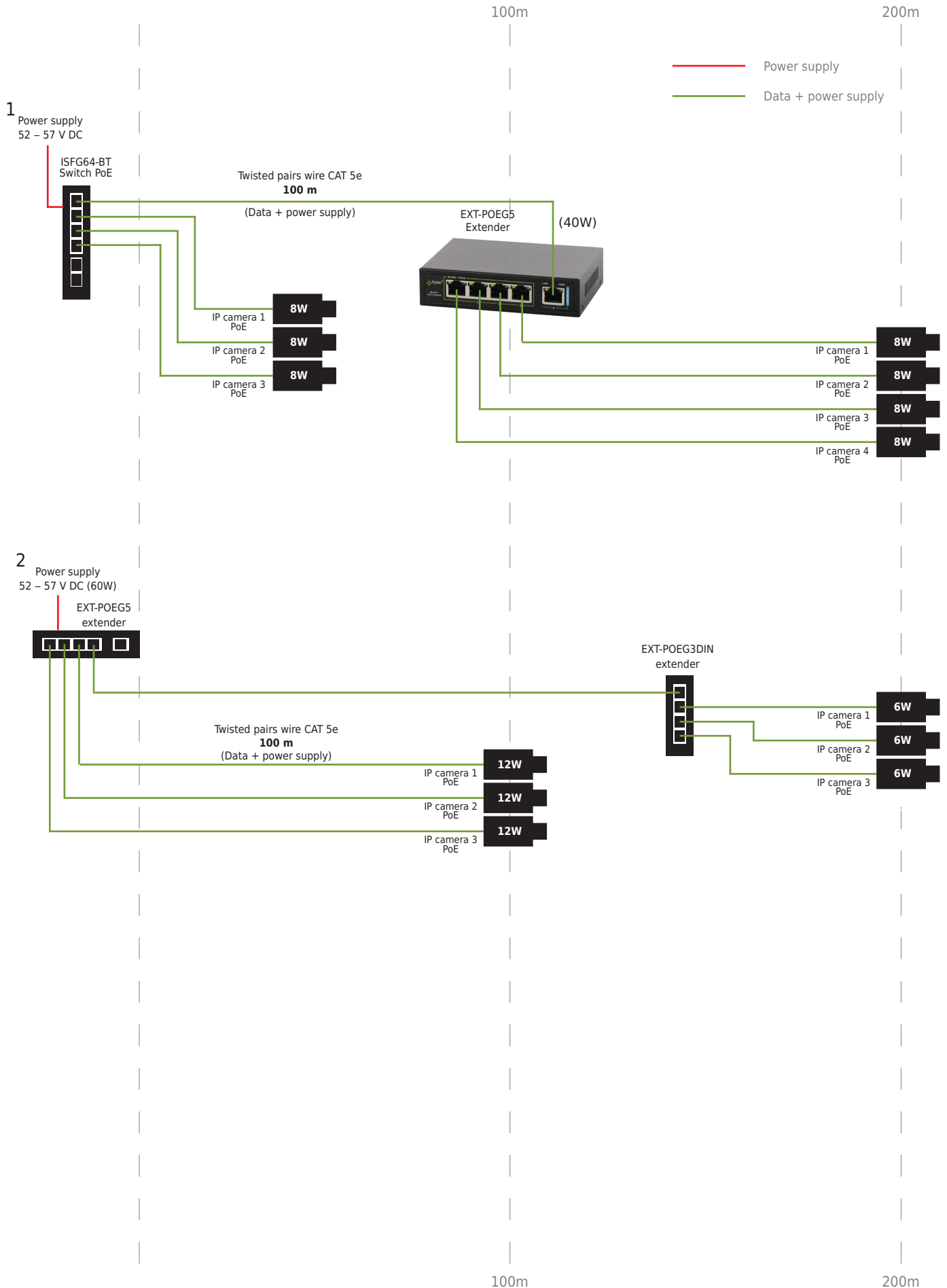


# Application EXT-POEG5

operation in 10/100/1000 Mb/s networks (min. UTP cat. 5e)



EXT-POEG5  
10/100/1000 Mb/s









## Contact us



**Pulsar**  
Siedlec 150  
32-744 Lapczyca, Poland



[sales@pulsar.pl](mailto:sales@pulsar.pl)



+48 14 610 19 45



[www.pulsar.pl](http://www.pulsar.pl)



Facebook



LinkedIn



YouTube



Pulsar.pl