

Eye-Sight

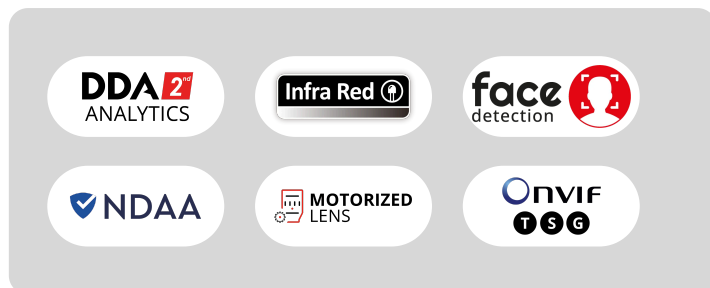
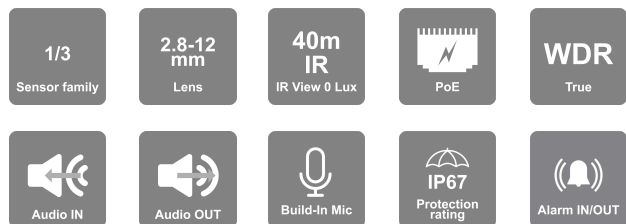
This series is designed for security professionals and offers superior image quality, advanced AI analytics, seamless connectivity, and unparalleled insight and protection, with options and configurations to meet specific needs. The Check Point Quantum IoT Nano and DDA2 Analytics provide detailed attribute analysis and advanced threat prevention.



I4-360IPEN-MVF-V4

40m IR 6mp DDA Analytics Motorized Lens Large Bullet Camera With Built-in Check Point Protection and Dual System technology

Equipped with a 2.8-12mm motorized lens, this 6MP camera is designed for medium-distance surveillance (up to 40m) in indoor and outdoor scenarios. Fitted with the new "Dual System" technology, the camera can deal with internal anomalies independently, making it more redundant to software-based issues. The camera offers broad possibilities for Analytics, from Face Detection to the outstanding DDA Analytics (Detect, Distinguish, Alert) and the newly developed DDA2, which can perform object recognition, object counting, and investigate specifics such as age, color, gender, vehicle brand and much more. The I4-360IPEN-MVF-V4 camera is here to end false alarms. Check Point Quantum IoT Nano agent is integrated into this model. It provides an advanced threat prevention layer against the common attack vectors at runtime.



MAIN FEATURES

- I4-360IPEN-MVF-V4 6MP MVF Bullet Camera with IR LED and DDA2 Analytics
- Sensor: 1/2.5" CMOS (16:9)
- Resolution: 3296×1856 25/30FPS (6MP)
- Lens: 2.8-12mm MVF with Auto Focus (108°-35°)
- True Day&Night – ICR
- Illumination: 40m (3 High-Power IR LEDs)
- Compression: H.265+ / H.264+ / H.265 / H.264 / MJPEG
- Quantum IoT Nano agent by Check Point™
- General Analytics: Camera Tampering
- AI (Object Recognition): DDA Sterile Area, DDA Line Crossing, DDA Object Counting (Line), DDA Object Counting (Area), DDA Loitering Detection, DDA Illegal Parking Detection
- AI (Face Detection): 10 Faces per frame
- AI: Heatmap
- DDA2: Advanced Object Classification
- True WDR (120dB), BLC, HLC, ROI
- SD Card: Event/Schedule Record (Up to 256Gb)
- Alarm in + Alarm out
- Built-in Microphone + Audio input + Audio output
- ONVIF: Profile T/S/G
- Water Proof: IP67
- Weight: ~810g
- Power: DC12V/~700mA / PoE/~10W



SPECIFICATIONS

3rd Party Cyber Protection	
General	Quantum IoT Nano agent by Check Point™
Protection Methods	Shell injection protection, File Monitor, Import-Table Protection, Dynamic-Memory Protection
NDAA Compliant	
NDAA Compliant	Yes
Video	
Image Sensor	1/2.5" CMOS (16:9)
Effective Pixels	3296x1856
Electronic Shutter	1/4s ~ 1/100000s
Day & Night	ICR
Min. Illumination	0.008lux (@F1.6, AGC on) 0lux with IR on
Audio	
Audio compression	G.711A/G.711U
Communication	Two-Way Audio
Image	
Image Settings	AWB, AGC Adjustable, Exposure Mode (Auto) Sharpness, Saturation, Brightness & Contrast Adjustable
Image Enhancement	True WDR (120dB), BLC, HLC, ROI
Noise Reduction	3D-DNR
Image Orientation	Mirror/Flip, Corridor Mode
Privacy Zone	Yes
Events and Analytics	
Analytics	General Analytics: Camera Tampering AI (Object Recognition): DDA Sterile Area, DDA Line Crossing, DDA Object Counting (Line), DDA Object Counting (Area), DDA Loitering Detection, DDA Illegal Parking Detection AI (Face Detection): 10 Faces per frame AI: Heatmap DDA2: Advanced Object Classification
Motion Detection	Yes
Compression	

Resolution	6MP (3296x1856) / QHD (3200x1800) / 2880x1624 / 2688x1520 / 2MP (1920x1080) / 1MP (1280x720) / D1 (704x576) / CIF (352x288)
Frame Rate	1-25/30FPS
Video Compression	H.265+ / H.264+ / H.265 / H.264 / MJPEG**
Multi-Stream	Master Stream: 6MP(3296x1856) / QHD (3200x1800) / 2880x1624 / 2688x1520 / 2MP (1920x1080) Substream: 1MP/QVGA/D1/CIF Third Stream: QVGA/D1/CIF (1~30fps)
Bit Rate	64Kbps ~ 8Mbps@H.265 / 128Kbps ~ 10Mbps@H.264
Encode Mode	VBR/CBR
Image Quality	Five levels under VBR; Free adjustment under CBR

Lens	
Lens (Field of View)	2.8-12mm MVF with Auto Focus (108°-35°)
Iris	DC Iris
Lens Mount	Ø14 Mount
Detect	2.8~12mm(W): 66m(218ft) - 2.8~12mm(T): 204m(669ft)
Recognize	2.8~12mm(W): 13m(44ft) - 2.8~12mm(T): 41m(135ft)
Identify	2.8~12mm(W): 7m(23ft) - 2.8~12mm(T): 20m(66ft)

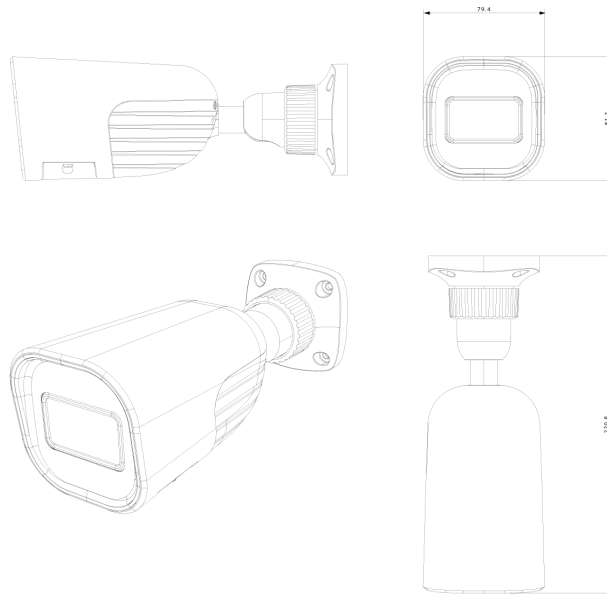
Network	
User Access	Supports simultaneous monitoring of up to 10 users with multi-stream real-time transmission
Network Protocol	IPv4, IPv6, TCP, UDP, DHCP, NTP, DDNS, 802.1X, RTSP, RTMP Multicast, UPnP, Email, FTP, FTPS, SFTP, HTTPS, QoS, HTTP POST, Auto Report, P2P
Remote Monitoring	IE Browsing (Plug-In required), Chrome/Edge/Safari/Firefox plug-in free browsing, Ossia VMS Software, Provision Cam2 Mobile App
Ethernet	100Mbps
ONVIF	Profile T/S/G

Connectivity	
Network	RJ45 (+PoE)
Audio Connectivity	Built-in Microphone + Audio input + Audio output

I4-360IPEN-MVF-V4

Alarm	Alarm in + Alarm out
SD Card	Event/Schedule based Main/Substream recording (Up to 256Gb)
Wiegand	No
Power	DC Socket
Analog Video Output	No
Housing	
PoE	Yes
Illumination	40m (3 High-Power IR LEDs)
Power Supply	DC12V/~700mA / PoE/~10W
Protection Rate	Water Proof: IP67
Work Environment	-30°C~60°C, 10%~90% Humidity
Bracket	3-Axis Bracket
Dimensions	220.8x79.4x81.2mm
Weight (gross)	~810g
Hard Reset Button	Yes

DIMENSIONS



ACCESSORIES

