

Network Video Recorder

NVR302-08B-P8-IQ



Features

- Support Ultra 265/H.265/H.264 video formats
- 8 channel input
- Plug & Play with 8 independent PoE network interfaces
- Support mainstream cameras of ONVIF conformance(Profile S, Profile G, Profile T) and RTSP protocols
- Support 1 ch HDMI, 1 ch VGA. HDMI up to 4K (3840x2160) resolution
- VGA and HDMI simultaneous output
- Up to 12 Megapixels resolution recording
- ANR technology to enhance the storage reliability when the network is disconnected
- Support cloud upgrade

Specifications

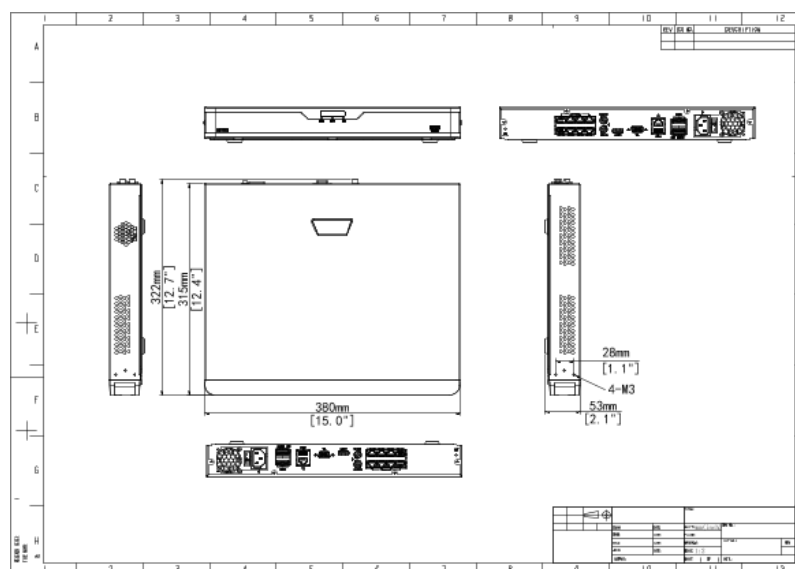
| Decoding | Description |
|---------------------|--|
| Decoding Format | Ultra 265,H.265,H.264 |
| Decoding Capability | NVR302-08B-P8-IQ:Smart Off: 2 x 12MP@30, 2 x 4K@30, 4 x 4MP@30, 8 x 1080P@30 Smart On: 2 x 4K@30, 4 x 4MP@30, 8 x 1080P@30 NVR302-16B-P16-IQ:Smart Off: 2 x 12MP@30, 2 x 4K@30, 4 x 4MP@30, 10 x 1080P@30, 16 x 720P@30 Smart On: 2 x 4K@30, 4 x 4MP@30, 8 x 1080P@30, 16 x 720P@30 |

| | |
|---------------------------------|--|
| Decoding Capability Description | The resolution of each channel cannot exceed 8192 pixels in length and 4096 pixels in width |
| Audio Compression | G.711A, G.711U |
| Network | Description |
| Incoming Bandwidth | 160Mbps |
| Outgoing Bandwidth | 128Mbps |
| Remote Users | 128 |
| Protocols | TCP/IP; P2P; NTP; DHCP; PPPoE; HTTP; HTTPS; DNS; DDNS; SNMP; SMTP; RTSP; IPv6; IPv4 |
| Browser(Plugin) | Windows: IE (IE10/ 11), Firefox (version 52.0 and above), Chrome (version 45 and above), Edge (version 79 and above) |
| Video/Audio Input | Description |
| IP Video Input | NVR302-08B-P8-IQ:8-ch NVR302-16B-P16-IQ:16-ch |
| RCA Audio Input | 1-ch |
| Video/Audio Output | Description |
| HDMI Output | 4K(3840x2160)/30Hz, 1920x1080/60Hz, 1920x1080/50Hz, 1600x1200/60Hz, 1280x1024/60Hz, 1280x720/60Hz, 1024x768/60Hz |
| VGA Output | 1920x1080/60Hz, 1920x1080/50Hz, 1600x1200/60Hz, 1280x1024/60Hz, 1280x720/60Hz, 1024x768/60Hz |
| RCA Audio Output | 1-ch |
| Liveview Display | NVR302-08B-P8-IQ:1/4/6/8/9 NVR302-16B-P16-IQ:1/4/6/8/9/16 |
| Corridor Mode Screen | NVR302-08B-P8-IQ:3/4/5/7/9 NVR302-16B-P16-IQ:3/4/5/7/9/10/12/16 |
| Two-way Audio | Description |
| Two-way Audio | 1-ch,RCA(Using the audio input and output) |
| Snapshot | Description |
| FTP/Schedule/Event Snapshot | 4-ch snapshot,up to D1 resolution |
| Recording | Description |
| Recording Resolution | 12MP/8MP/6MP/5MP/4MP/3MP/1080P/960P/720P/D1/2CIF/CIF |
| Synchronous Playback in Local | NVR302-08B-P8-IQ:8-ch NVR302-16B-P16-IQ:16-ch |
| Smart | Description |

| | |
|---------------------------|---|
| VCA Detection by IPC | Face Detection; face detection; Vehicle Detection; SIP (Intrusion Detection, Cross Line Detection, Enter Area, Leave Area); Ultra Motion Detection (UMD); People Counting (People Flow Counting, Crowd Density Monitoring); Traffic Monitoring |
| Smart by NVR | Face Detection; face detection; Smart Intrusion Prevention (SIP); Ultra Motion Detection (UMD) |
| VCA Search | Motor Vehicle Search; Non-Motor Vehicle Search; Human Body Search; General Search; People Counting Report; Heat Map |
| Smart by IPC | All channels (up to 8 images/s in total)Face Detection, face detection, Vehicle Detection, SIP, UMD, Traffic Monitoring |
| Vehicle Picture Library | Up to 5 vehicle picture libraries,with up to 25,000 vehicle pictures in total |
| SIP by NVR | 2-ch |
| UMD by NVR | 4-ch |
| Alarm | Description |
| General Alarm | Defocus Detection; Scene Change Detection; Object Left Behind; Object Removed; Auto Tracking; Motion Detection; Tampering; Human Body Detection; Video Loss; Alarm Input; Audio Detection |
| Alert Alarm | IP Conflict; Network Disconnected; Disk Offline; Disk Abnormal; Illegal Access; Hard Disk Space Low; Hard Disk Full; Recording/Snapshot Abnormal |
| GUI Language | Description |
| GUI Language | 38 languages: Simplified Chinese, Traditional Chinese, English, Vietnamese, Thai, Turkish, Spanish (Latin America), Portuguese (Brazil), Spanish, Portuguese, French, German, Italian, Dutch, Polish, Czech, Hungarian, Slovak, Russian, Hebrew, Arabic, Ukrainian, Estonian, Bulgarian, Greek, Romanian, Danish, Swedish, Norwegian, Finnish, Croatian, Slovenia, Serbia, Korean, Japanese, Latvian, Lithuanian, Persian |
| Hard Disk | Description |
| SATA | 2 SATA Interfaces |
| Capacity | Up to 10TB for each HDD (The maximum HDD capacity varies with environment temperature) |
| External Interface | Description |
| Network Interface | 1 RJ45 10M/100M/1000M self-adaptive Ethernet Interface |
| USB | Front panel: 1 x USB2.0; Rear panel: 1 x USB3.0 |
| RS485 | 1 |
| RS232 | N/A |
| Alarm In | 8-ch |
| Alarm Out | 2-ch |

| | |
|----------------------------------|--|
| Power Supply | AC 100~240V |
| PoE | Description |
| PoE Interface | NVR302-08B-P8-IQ:8 RJ45 10M/100M self-adaptive Ethernet Interface NVR302-16B-P16-IQ:16 RJ45 10M/100M self-adaptive Ethernet Interface |
| Max Power | NVR302-08B-P8-IQ:Max 30W for single port, Max 130W in total NVR302-16B-P16-IQ:Max 30W for single port, Max 240W in total |
| Supported Standard | IEEE 802.3at, IEEE 802.3af |
| Working Environment | Description |
| Working Temperature | -10 °C ~ + 55 °C (+14 °F ~ +131 °F) |
| Working Humidity | ≤ 90% RH (non-condensing) |
| Power Consumption (without HD D) | ≤ 12W |
| Dimensions | Description |
| Weight (without HDD) | ≤ 2.7Kg (6.0lb) |
| Dimensions | 380mm × 322mm × 53mm (15.0"×12.7"×2.1") |
| Certification | Description |
| Certification | CE; FCC; UL; RoHS; WEEE |
| CE | EN 55032, EN 61000-3-3, EN IEC 61000-3-2, EN 55035 |
| FCC | Part15 Subpart B |

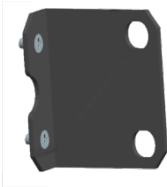
Dimensions



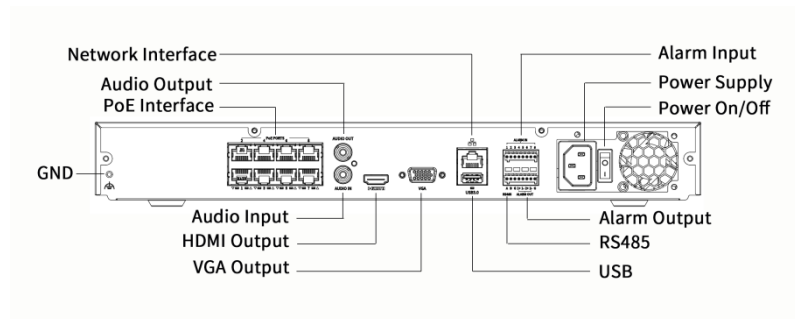
Accessories

RM-1U-380

2 HDD 1U NVR Rack Mount



Rear Panel



Zhejiang Uniview Technologies Co., Ltd.

No. 369, Xietong Road, Xixing Sub-district, Binjiang District, Hangzhou City, 310051, Zhejiang Province, China

Email: overseasbusiness@uniview.com; globalsupport@uniview.com

<http://www.uniview.com>

©2024 Zhejiang Uniview Technologies Co., Ltd. All rights reserved.

*Product specifications and availability are subject to change without notice.

*Despite our best efforts, technical or typographical errors may exist in this document. Uniview cannot be held responsible for any such errors and reserves the right to change the contents of this document without prior notice.