



Network

Bullet

# QNO-C8023R

5MP AI IR Bullet Camera



## Key Features

- Max. 5MP resolution
- Color: 0.05Lux(F1.6, 1/30sec), BW: 0.005Lux(F1.6, 1/30sec, 30IRE)
- Maximum 30fps@5MP (H.265/H.264)
- IR viewable length 30m (98.42ft)
- Day & Night (ICR), WDR (120dB), WiseNR II (Using AI engine)
- H.265, H.264, MJPEG, WiseStreamIII (Using AI engine)
- Dynamic Privacy Masking (Person/Vehicle)
- Analytics events based on AI engine (NPU) :
  - Object detection (Person/Vehicle - car, truck, bus, bicycle, motorcycle),
  - Color Attribute, BestShot
  - Motion detection, Virtual line(Crossing/Direction),
  - Virtual area(Loitering/Intrusion/Enter/Exit)
- IP66, IK10
- PoE: Max 8.1W

# QNO-C8023R

5MP AI IR Bullet Camera



## Specifications

| Video                     |  |
|---------------------------|--|
| Imaging Device            | 1/2.8" CMOS  |
| Resolution                | 2592x1944, 2560x1440, 1920x1080, 1280x960, 1280x720, 800x600, 800x448, 720x576, 720x480, 640x480, 640x360, 320x240 |
| Max. Framerate            | H.265/H.264: Max. 30fps/25fps(60Hz/50Hz) (WDR on/off)<br>MJPEG: Max. 30fps(@5MP Max. 5fps)                         |
| Min. Illumination         | Color: 0.05Lux(F1.6, 1/30sec, 30IRE)<br>BW: 0.005Lux(F1.6, 1/30sec, 30IRE), 0Lux(IR LED on)                        |
| Video Out                 | USB: Micro USB Type B, 1280x720 for installation   |
| Lens                      |  |
| Focal Length (Zoom Ratio) | 4.0mm fixed focal  |
| Max. Aperture Ratio       | F1.6   |
| Angular Field of View     | H: 80° / V: 59° / D: 102°  |
| Min. Object Distance      | 0.5m (1.64ft)  |
| Focus Control             | Fixed  |
| Lens Type                 | Fixed IRIS   |
| Mount Type                | M12  |
| Pan / Tilt / Rotate       |  |
| Pan / Tilt / Rotate Range | 0°~360° / 0°~100° / 0°~360°  |
| Operational               |  |
| Camera Title              | Displayed up to 85 characters  |
| Day & Night               | Auto(ICR)  |
| Backlight Compensation    | BLC, WDR, SDDR   |
| Wide Dynamic Range        | 120dB  |
| Digital Noise Reduction   | WiseNR II (Based on AI engine)<br>SSNR V   |
| Motion Detection          | 8ea, 8point polygonal zones  |
| Privacy Masking           | 32ea, 4point quadrangle zones<br>- Color: Gray/Green/Red/Blue/Black/White<br>Dynamic Privacy Mask<br>- Mosaic      |
| Gain Control              | Low / Middle / High  |
| White Balance             | ATW / AWC / Manual / Indoor / Outdoor  |
| LDC                       | Support  |
| Electronic Shutter Speed  | Minimum / Maximum / Anti flicker (1/5~1/25,000sec)<br>Prefer shutter control(Based on AI engine)                   |
| Video Rotation            | Flip, Mirror, Hallway view(90°/270°)   |

Design and specifications are subject to change without notice. The latest product information / specification can be found at [HanwhaVision.com](http://HanwhaVision.com).

Hanwha Vision is formerly known as Hanwha Techwin.

|                       |  |
|-----------------------|--|
| Analytics             | Classified object type: Person/Vehicle(Type:car/bus/truck/motorcycle/bicycle)<br>Attributes: Person(Upper/lower clothes color), Vehicle(Type:car/bus/truck/motorcycle/bicycle and color)<br>Support BestShot<br>Analytics events based on AI engine<br>- Motion detection*, Object detection, Virtual line*(Crossing/Direction), Virtual area*(Loitering/Intrusion/Enter/Exit)<br>Analytics events<br>- Defocus detection, Tampering, Virtual area(Appear/Disappear)<br><br>* Some of the video analytics only works with people and vehicle detection |
| Business Intelligence | Based on AI engine: People counting, Vehicle counting, Queue management, Heatmap   |
| Alarm I/O             | Input 1ea / Output 1ea   |
| Alarm Triggers        | Analytics, Network disconnect, Alarm input, MQTT subscription  |
| Alarm Events          | When alarm trigger occurred<br>- File upload(image) : e-mail/FTP/SFTP<br>- Notification : e-mail<br>- Recording : SD/SDHC/SDXC or NAS recording at event triggers<br>- Alarm output<br>- Handover(PTZ preset, Send message by HTTP/HTTPS/TCP)<br>- Audio clip playback<br>- MQTT: publication  |
| Audio In              | Selectable(mic in/line in)   |
| Audio Out             | Line out   |
| Light Type            | IR LED (850nm)   |
| Light Viewable Length | 30m(98.42ft)   |

|                                   |  |
|-----------------------------------|--|
| <b>Network</b>                    |  |
| Ethernet                          | RJ-45(10/100BASE-T)  |
| Video Compression                 | H.265/H.264: Main/High, MJPEG  |
| Audio Compression                 | G.711 u-law /G.726 selectable<br>G.726(ADPCM) 8KHz, G.711 8KHz<br>G.726: 16Kbps, 24Kbps, 32Kbps, 40Kbps<br>AAC-LC: 48Kbps at 16KHz   |
| Smart Codec                       | Manual(5ea area), WiseStreamIII(Based on AI engine)  |
| Bitrate Control                   | H.264/H.265: CBR or VBR<br>MJPEG: VBR  |
| Streaming                         | Unicast(20 users) / Multicast<br>Multiple streaming(Up to 5 profiles)  |
| Protocol                          | IPv4, IPv6, TCP/IP, UDP/IP, RTP(UDP), RTP(TCP), RTCP, RTSP, NTP, HTTP, HTTPS, SSL/TLS, DHCP, FTP/SFTP, SMTP, ICMP, IGMP, SNMPv1/v2c/v3(MIB-2), ARP, DNS, DDNS, QoS, UPnP, Bonjour, LLDP, CDP, SRTP(TCP, UDP Unicast), MQTT |
| Application Programming Interface | ONVIF Profile S/G/T/M<br>SUNAPI(HTTP API)<br>Hanwha Vision Open Platform   |

|                        |  |
|------------------------|--|
| <b>Security</b>        |  |
| OS / Firmware Protect  | Encrypted firmware, Secure boot, Signed firmware                 |
| User authentication    | Digest authentication, Prevent brute-force attack                |
| Network authentication | IEEE 802.1X(EAP-TLS, EAP-LEAP, EAP-PEAP, MSCHAPv2)               |
| Secure Communication   | HTTPS, WSS(WebSocket Secure)                                     |
| Access Control         | IP-based access control  |
| Data Protect           | Encryption credentials, Encrypt compress for live recording file |
| Audit                  | Access / System / Event Log management                           |
| Device ID              | Device certificate(Hanwha Vision Root CA)                        |
| Secure Storage         | SDcard partition encrypt   |

|                |  |
|----------------|--|
| <b>General</b> |  |
|----------------|--|

Design and specifications are subject to change without notice. The latest product information / specification can be found at [HanwhaVision.com](http://HanwhaVision.com).

Hanwha Vision is formerly known as Hanwha Techwin.

## QNO-C8023R

|                  |  |
|------------------|--|
| Webpage Language | English, Korean, Simplified Chinese, Traditional Chinese, French, Italian, Spanish, German, Japanese, Russian, Portuguese, Czech, Polish, Turkish, Dutch, Hungarian, Greek |
| Edge Storage     | Micro SD/SDHC/SDXC 1slot 256GB   |
| Memory           | 2GB RAM, 1GB Flash   |

### Environmental & Electrical

|                                  |   |
|----------------------------------|---|
| Operating Temperature / Humidity | -30°C~+55°C(-22°F~+131°F) / 0~100% RH(Condensing)<br>* Start up should be done at above -30°C<br>Humidity control /w Air vent |
| Storage Temperature / Humidity   | -50°C~+60°C(-58°F~+140°F) / 0~95% RH  |
| Certification                    | IP66, IK10  |
| Input Voltage                    | PoE(IEEE802.3af, Class3)  |
| Power Consumption                | PoE: Max 8.1W,<br>typical 4.0W  |

### Mechanical

|                                   |   |
|-----------------------------------|---|
| Color / Material                  | White / Aluminum  |
| RAL Code                          | RAL9003   |
| Product Dimensions / Weight       | ø93.4x245.8mm(ø3.68x9.68"), 890g(1.96 lb)   |
| Compatible Conduit hole / Gangbox | Conduit hole : None<br>Gangbox (SBO-090GP) : Single, Double, 4" Octagon (sold separately) |

### Certifications & Standards

|             |   |
|-------------|---|
| EMC         | FCC 47 CFR 15 Subpart B Class A<br>ICES-3(A)/NMB-3(A)<br>CE/UKCA<br>- EN 55032 Class A, EN 50130-4, EN 61000-3-2, EN 61000-3-3<br>VCCI CISPR 32 Class A<br>RCM AS/NZS CISPR 32 Class A<br>KS C 9832 Class A , KS C 9835 |
| Safety      | UL 62368-1, CAN/CSA C22.2 NO. 62368-1<br>IEC/EN 62471   |
| Environment | IEC/EN 63000<br>IEC/EN 60529 IP66, IEC/EN 62262 IK10  |

### Compatible Models

|                             |                      |
|-----------------------------|----------------------|
| Back Box                    | SBO-140BW, SBO-140WW |
| Ceiling Mount (Single Unit) | SBP-140CMT           |
| Pole Mount                  | SBD-140PMW           |
| Corner Mount                | SBD-140KMB           |
| Cabinet                     | SBP-150NBW           |
| Gang Plate                  | SBO-090GP            |

### DORI (EN62676-4 standard)

|                           |                |
|---------------------------|----------------|
| Detect (25PPM/ 8PPF)      | 61.8m(202.7ft) |
| Observe (63PPM/ 19PPF)    | 24.7m(81.1ft)  |
| Recognize (125PPM/ 38PPF) | 12.4m(40.5ft)  |
| Identify (250PPM/ 76PPF)  | 6.2m(20.3ft)   |

# QNO-C8023R

5MP AI IR Bullet Camera

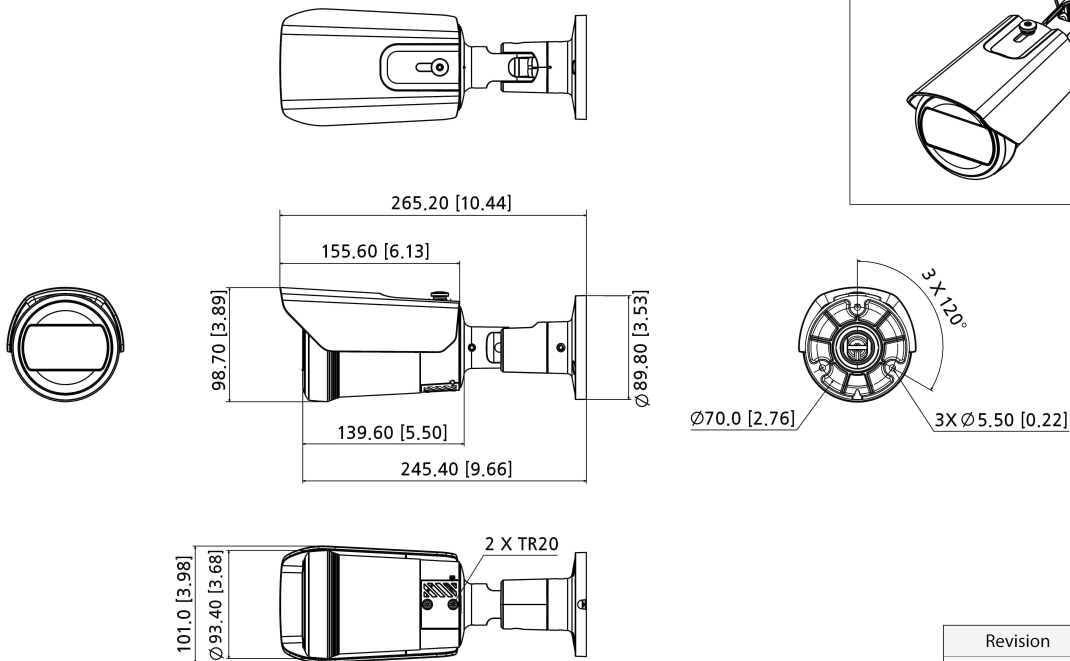
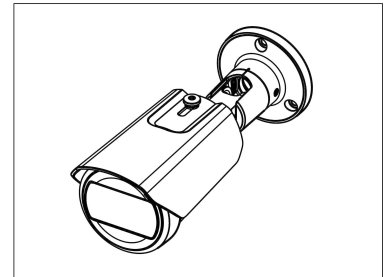


CAD

Unit:mm [inch]

## QNO-C8013R/C8023R BULLET CAMERA

Reference image



|               |           |
|---------------|-----------|
| Revision      | V1.0      |
| Revision Date | 24/12/20  |
| Paper Size    | A0        |
| Unit          | mm [inch] |
| Scale         | 1:1       |

©Hanwha Vision Co., Ltd. All right reserved.

Same Model\_QNO-C6083R/C8083R/C9083R