

# 4-inch Fixed Dome Junction Box

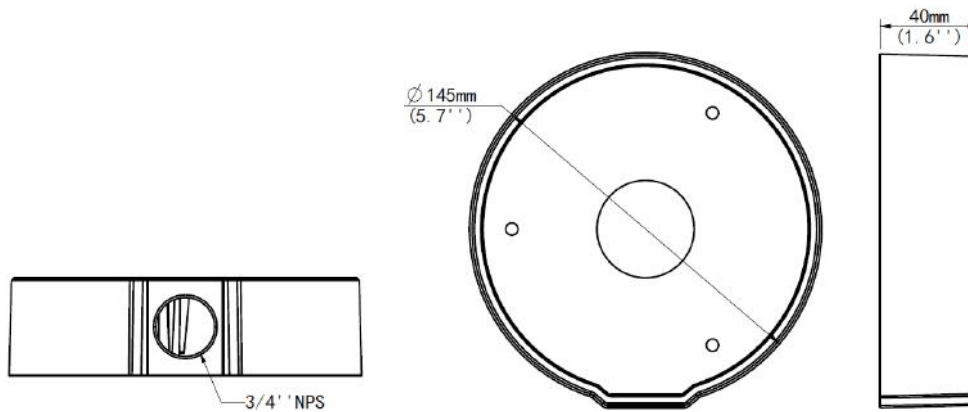
TR-JB04-IN



## Specifications

Bracket	TR-JB04-IN
Application	Wall installation for IPC323 Series fixed dome
Dimensions	Φ145mmx40mm (5.7" x1.6")
Weight	0.24kg(0.5lb)
Material	Aluminum alloy

## Dimensions



**Zhejiang Uniview Technologies Co.,Ltd.**

South Tower, Building 10, Wanlun Science Park, 88 Jiangling Road, Hangzhou, P.R.China 310051

Email: [overseasbusiness@uniview.com](mailto:overseasbusiness@uniview.com); [globalsupport@uniview.com](mailto:globalsupport@uniview.com)

<http://www.uniview.com>

©2015 Zhejiang Uniview Technologies Co.,Ltd. All rights reserved.

\*Product specifications and availability are subject to change without notice.