

Fixed Dome Junction Box

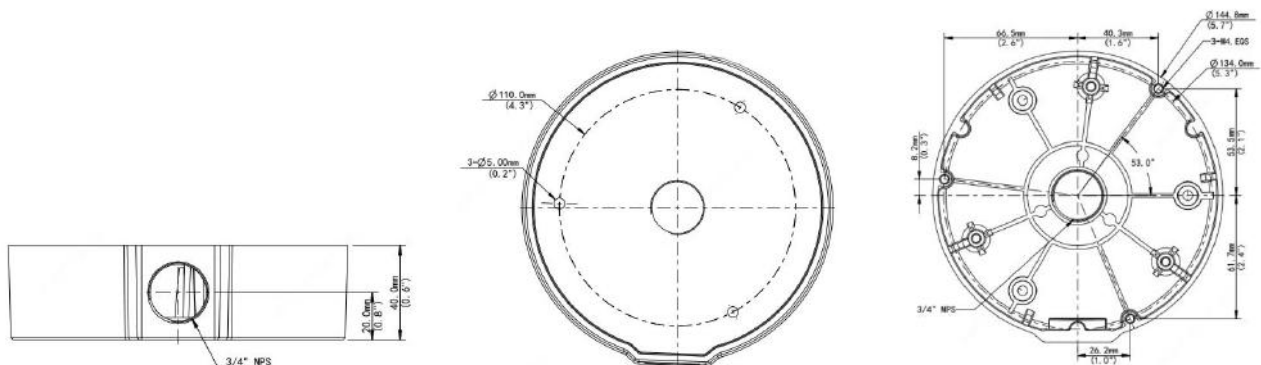
TR-JB04-C-IN



Specifications

Bracket	TR-JB04-C-IN
Application	Wall installation for IPC323X Series fixed dome
Dimensions	Φ144.8mm*40mm (5.70" x1.57")
Weight	0.3kg(0.66lb)
Material	Aluminum alloy

Dimension



Zhejiang Uniview Technologies Co.,Ltd.

South Tower, Building 10, Wanlun Science Park, 88 Jiangling Road, Hangzhou, P.R.China 310051

Email: overseasbusiness@uniview.com; globalsupport@uniview.com

<http://www.uniview.com>

©2015 Zhejiang Uniview Technologies Co.,Ltd. All rights reserved.

*Product specifications and availability are subject to change without notice.