



FD9167-H

Fixed Dome Network Camera

2MP 30fps • SNV • WDR Pro • Smart Stream III • 30M IR • PIR

- 30 fps @ 1920x1080
- Smart Stream III to Optimize Bandwidth Efficiency
- SNV (Supreme Night Visibility) for Low Light Conditions
- WDR Pro for Unparalleled Visibility in Extremely Bright and Dark Environments
- Built-in IR Illuminators, Effective up to 30 Meters
- 3D Noise Reduction for Low-light Conditions
- Built-in MicroSD/SDHC/SDXC Card Slot
- Trend Micro IoT Security
- VIVOCLOUD App & Portal for 24/7 Surveillance (manually upload VIVOCLOUD VADP package)



Technical Specifications

System Information

Model	FD9167-H
CPU	Multimedia SoC (System-on-Chip)
Flash	128MB
RAM	512MB

Camera Features

Image Sensor	1/2.8" Progressive CMOS
Max. Resolution	1920x1080 (2MP)
Lens Type	Fixed-focal
Focal Length	f = 2.8 mm
Aperture	F1.6
Auto-iris	Fixed-iris
Field of View	109° (Horizontal) 61° (Vertical) 126° (Diagonal)
Shutter Time	1/5 sec. to 1/32,000 sec.
WDR Technology	WDR Pro
Day/Night	Yes
Removable IR-cut Filter	Yes
IR Illuminators	Built-in IR illuminators, effective up to 30 meters with Smart IR, IR LED*2
Minimum Illumination	0.07 Lux @ F1.6 (Color) 0.001 Lux @ F1.6 (B/W) 0 Lux with IR illumination on
Pan Range	350°
Tilt Range	70°
Rotation Range	180°
Pan/Tilt/Zoom Functionalities	ePTZ: 48x digital zoom (4x on IE plug-in, 12x built-in)
On-board Storage	Slot type: MicroSD/SDHC/SDXC card slot Seamless Recording

Video

Video Compression	H.265, H.264, MJPEG
Maximum Frame Rate	30 fps @ 1920x1080
Maximum Streams	3 simultaneous streams
S/N Ratio	58 dB
Dynamic Range	120 dB
Video Streaming	Adjustable resolution, quality and bit rate control, Smart Stream III
Image Settings	Timestamp, text overlay, flip & mirror, configurable brightness/contrast/saturation/sharpness, white balance, exposure control, gain, backlight compensation, privacy masks, scheduled profile settings, video rotation, defog, 3D noise reduction, DIS, HLC

Audio

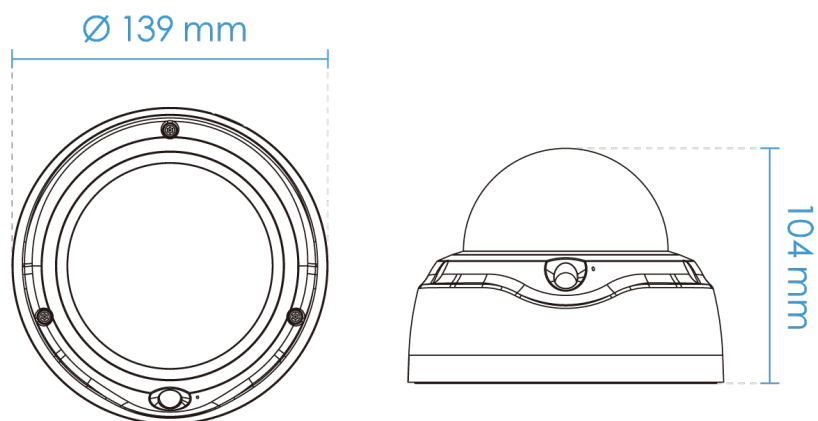
Audio Capability	Two-way Audio (full duplex)
Audio Compression	G.711, G.726
Audio Interface	Built-in microphone External microphone input External line output
Effective Range	5 meters

Network

Users	Live viewing for up to 10 clients
Protocols	802.1X, ARP, CIFS/SMB, CoS, DDNS, DHCP, DNS, FTP, HTTP, HTTPS, ICMP, IGMP, IPv4, IPv6, NTP, PPPoE, QoS, RTSP/RTP/RTCP, SMTP, SNMP, SSL, TCP/IP, TLS, UDP, UPnP

Interface	10 Base-T/100 Base-TX Ethernet (RJ-45) *It is highly recommended to use standard CAT5e & CAT6 cables which are compliant with the 3P/ETL standard.
ONVIF	Supported, specification available at www.onvif.org
Solution Integration	
Video Motion Detection	Five-window video motion detection
VADP Package	Genetec Package, Stratocast, Trend Micro IoT Security
Alarm and Event	
Alarm Triggers	Motion detection, manual trigger, digital input, periodical trigger, system boot, recording notification, camera tampering detection, audio detection, PIR detection, shock detection, SD card life expectancy
Alarm Events	Event notification via digital output, email, HTTP, FTP, NAS server, SD card File upload via email, HTTP, FTP, NAS server, SD card
General	
Connectors	RJ-45 cable connector for 10/100Mbps Network/PoE connection Audio input Audio output DC 12V Digital input*1 Digital output*1
LED Indicator	System power and status indicator
Power Input	DC 12V IEEE 802.3af PoE Class 0
Power Consumption	Max. 7 W
Dimensions	Ø 139 x 104 mm
Weight	459 g
Safety Certifications	CE, LVD, FCC Class B, VCCI, C-Tick, UL, BIS
Operating Temperature	Starting Temperature: 0°C ~ 50°C (32°F ~ 122°F) Working Temperature: -10°C ~ 50°C (14°F ~ 122°F)
Humidity	90%
Warranty	24 Months
System Requirements	
Operating System	Microsoft Windows 8/7 Mac 10.12 (Chrome only)
Web Browser	Chrome 58.0 or above Internet Explorer 10/11
Other Players	VLC: 1.1.11 or above
Included Accessories	
Others	Quick installation guide, warranty card, screw pack, alignment sticker

Dimensions



Compatible Accessories

Mounting Kits



AM-105
Recessed Kit

Mounting Kits



AM-21A
L-shape Bracket

Mounting Kits



AM-514
Adapting Plate

Mounting Kits



AM-527
Mounting Adapter