

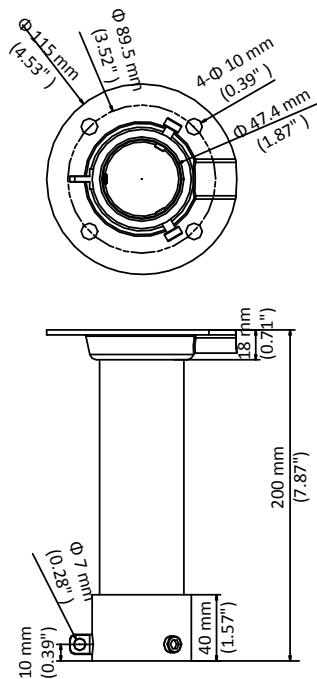
## DS-1668ZJ(20)

### Pendant Mounting Bracket for PanoVu

#### Feature

- Zinc-coated steel with surface spray treatment
- The hook for safety rope facilitates camera's installation

#### Dimension



#### Available Model

DS-1668ZJ(20)

#### Parameter

Model	DS-1668ZJ(20)
Parameters	Pendant Mounting Bracket for PanoVu
Appearance	Hikvision White
Material	Steel
Dimension	Φ 115 mm × 200 mm (4.53" × 7.87")
Weight	1150 g (2.54 lb.)

#### Note

- The bracket should be installed on the flat surface.
- The waterproof rubber is necessary for the outdoor application.
- The wall must be capable of supporting at least 3 times as much as the total weight of the camera and the bracket.
- The bracket's maximum load capacity is 20 Kg (44 lb.).