

# 5MP Fisheye Fixed Dome Network Camera

IPC815SB-ADF14K-I0



## Key Features



- High quality image with 5MP, 1/2.8"CMOS sensor
- 5MP (2592\*1944):@ 30/25fps;
- Ultra 265, H.265, H.264, MJPEG
- 120dB true WDR technology enables clear image in strong light scene
- Built-in 2 Mic, Supports the detection of sounds over longer distances
- Alarm:1 in/1 out, Audio: 1 in/1 out
- Smart IR, up to 10m (33ft) IR distance
- Supports 256 G Micro SD card
- IK10 vandal resistant
- IP66 protection
- Support PoE power supply

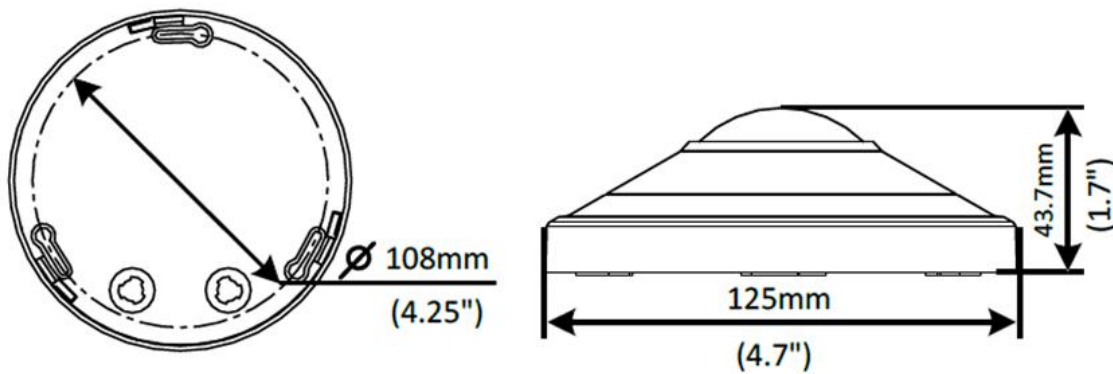
## Specifications

|                         |   |            |             |               |              |
|-------------------------|---|------------|-------------|---------------|--------------|
|                         | IPC815SB-ADF14K-I0  |            |             |               |              |
| <b>Camera</b>           |   |            |             |               |              |
| Image sensor            | 1/2.8", progressive scan, 5.0 megapixel, CMOS   |            |             |               |              |
| Minimum Illumination    | Colour: 0.01 lux (F2.0, AGC ON)<br>0 lux with IR  |            |             |               |              |
| Day/Night               | IR-cut filter for day & night function  |            |             |               |              |
| Shutter                 | Auto/Manual, shutter time: 1~1/100000 s   |            |             |               |              |
| WDR                     | 120dB   |            |             |               |              |
| S/N                     | >55dB   |            |             |               |              |
| <b>Lens</b>             |   |            |             |               |              |
| Lens type               | 1.4mm@F2.0  |            |             |               |              |
| Iris                    | Fixed   |            |             |               |              |
| Angle of View           | 360°  |            |             |               |              |
| <b>DORI</b>             |   |            |             |               |              |
| DORI Distance           | Lens  | Detect (m) | Observe (m) | Recognize (m) | Identify (m) |
|                         | 1.4mm   | 31.5       | 12.6        | 6.3           | 3.2          |
| <b>Illuminator</b>      |   |            |             |               |              |
| IR Range                | UP to 10m (33ft)  |            |             |               |              |
| wavelength              | 850nm   |            |             |               |              |
| IR On/Off Control       | Auto/Manual   |            |             |               |              |
| <b>Video</b>            |   |            |             |               |              |
| Compression             | Ultra 265, H.265, H.264, MJPEG  |            |             |               |              |
| H.264 code profile      | Baseline profile, Main Profile, High Profile  |            |             |               |              |
| Frame Rate              | Main Stream: 5MP (2592*1944): Max.30fps;<br>Sub Stream: 1080P (1920*1080): Max.30fps; 720P (1280*720), Max 30fps;<br>Third Stream: D1 (720*576), Max 30fps; 640*360,Max 30fps; 2CIF(704*288), Max 30fps; CIF(352*288), Max 30fps; |            |             |               |              |
| Video Bit Rate          | 128 Kbps~16 Mbps  |            |             |               |              |
| U-code                  | Support   |            |             |               |              |
| OSD                     | Up to 8 OSDs  |            |             |               |              |
| Privacy Mask            | Up to 4 areas   |            |             |               |              |
| ROI                     | Up to 8 areas   |            |             |               |              |
| Video Stream            | Triple streams  |            |             |               |              |
| <b>Image</b>            |   |            |             |               |              |
| White Balance           | Auto/Outdoor/Fine Tune/Sodium Lamp/Locked/Auto2   |            |             |               |              |
| Digital noise reduction | 2D/3D DNR   |            |             |               |              |
| Smart IR                | Support   |            |             |               |              |
| Flip                    | Normal/Flip Vertical/ Flip Horizontal/180°  |            |             |               |              |
| Dewarping               | N/A   |            |             |               |              |
| HLC                     | N/A   |            |             |               |              |
| BLC                     | Support   |            |             |               |              |
| Defog                   | Digital Defog   |            |             |               |              |
| <b>Events</b>           |   |            |             |               |              |

|                          |  |
|--------------------------|--|
| Statistical Analysis     | heat map   |
| Basic Detection          | Motion detection, tampering alarm, audio detection   |
| General Function         | Watermark, IP Address Filtering, Tampering Alarm, Alarm input, Alarm output, Access Policy, ARP Protection, RTSP Authentication, User Authentication   |
| <b>Audio</b>             |  |
| Audio Compression        | G.711  |
| Audio Bitrate            | 64 Kbps  |
| Two-way audio            | Supported  |
| Suppression              | Supported  |
| Sampling Rate            | 8 KHZ  |
| <b>Storage</b>           |  |
| Edge Storage             | Micro SD, up to 256GB  |
| Network Storage          | ANR, NAS(NFS)  |
| <b>Network</b>           |  |
| Protocols                | IPv4, IGMP, ICMP, ARP, TCP, UDP, DHCP, PPPoE, RTP, RTSP, RTCP, DNS, DDNS, NTP, FTP, UPnP, HTTP, HTTPS, SMTP, 802.1x, SNMP, QoS, RTMP, SSH  |
| Compatible Integration   | ONVIF (Profile S, Profile G, Profile T), API,SDK   |
| User/Host                | Up to 32 users. 2 user levels: administrator and common user   |
| Security                 | Password protection, Strong password, HTTPS encryption, Export operation logs, Basic and digest authentication for RTSP, Digest authentication for HTTP, TLS 1.2, WSSE and digest authentication for ONVIF   |
| Client                   | EZStation<br>EZView<br>EZLive  |
| Web Browser              | Plug-in required live view: IE9+, Chrome 41 and below, Firefox 52 and below  |
|                          | Plug-in free live view: Chrome 57.0+, Firefox 58.0+, Edge 16+  |
| <b>Live View Display</b> |  |
| Mount Type               | Support table, wall, and ceiling   |
| Decoding Mode            | Support software decoding  |
| Display Mode             | 11 display modes in total<br>Software decoding:<br>Ceiling mount: fisheye view, 360°Panoramic+1PTZ, 180°Panoramic, Fisheye+3PTZ, Fisheye+4PTZ, 360°Panoramic+6PTZ, Fisheye+8PTZ<br>Wall mount: fisheye view, Panoramic, Panoramic+3PTZ, Panoramic+4PTZ, Panoramic+8PTZ<br>Table mount: fisheye view, 360°Panoramic+1PTZ, 180°Panoramic, Fisheye+3PTZ, Fisheye+4PTZ, 360°Panoramic+6PTZ, Fisheye+8PTZ |
| <b>Interface</b>         |  |
| Audio I/O                | Input: impedance 35 kΩ; amplitude 2 V [p-p]  |
|                          | Output: impedance 600 Ω; amplitude 2 V [p-p]   |
| Alarm I/O                | 1/1  |
| RS485                    | N/A  |
| Built-in Mic             | Supported 2  |
| Built-in Speaker         | N/A  |
| WIFI                     | N/A  |
| Network                  | 1 * RJ45 10M/100M Base-TX Auto-adaptive Ethernet   |
| Video Output             | N/A  |
| <b>Certifications</b>    |  |
| EMC                      | CE-EMC (EN 55032: 2015+A1:2020,EN 61000-3-3: 2013+A1: 2019,EN IEC 61000-3-2: 2019+A1: 2021,EN 55035:   |

|                     |  |
|---------------------|--|
|                     | 2017+A11:2020)<br>FCC (FCC CFR 47 part15 B, ANSI C63.4-2014)   |
| Safety              | CE LVD (EN 62368-1:2014+A11:2017)<br>CB (IEC 62368-1:2014)<br>UL (UL 62368-1, 2nd Ed., Issue Date: 2014-12-01) |
| Environment         | CE-RoHS (2011/65/EU;(EU)2015/863); WEEE (2012/19/EU); Reach (Regulation (EC) No 1907/2006)                     |
| Protection          | IP66 (IEC 60529:1989+AMD1:1999+AMD2:2013)<br>IK10 (IEC 62262:2002)   |
| <b>General</b>      |  |
| Power               | DC12V±25%,PoE (IEEE 802.3af)   |
|                     | Power consumption: Max. 8.5W   |
| Power Interface     | Ø 5.5mm coaxial power plug   |
| Dimensions (Φ × H)  | Φ125 × 43.7 mm (Φ4.9" × 1.7")  |
| Weight              | 0.36kg (0.79lb)  |
| Material            | Metal + Plastic  |
| Working Environment | -30°C ~ 60°C (-22°F ~ 140°F), Humidity: ≤95% RH (non-condensing)   |
| Storage Environment | -30°C ~ 60°C (-22°F ~ 140°F), Humidity: ≤95% RH (non-condensing)   |
| surge protection    | 4KV  |
| Reset Button        | Supported  |

## Dimensions



## Accessories

TR-JB03-H-IN  
Junction Box



TR-A01-IN  
Waterproof Joint



TR-SE24-IN  
Pendant Mount



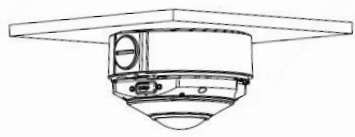
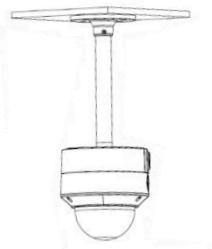
TR-SE24-A-IN  
Pendant Mount



TR-CM24-IN

Pendant Mount



| Junction box  | Indoor pendent mount   |
|---|--|
| TR-JB03-H-IN+TR-A01-IN  | TR-JB03-H-IN +TR-A01-IN+ TR-SE24-IN(TR-SE24-A-IN)+ TR-CM24-IN                        |
|  |  |

**Zhejiang Uniview Technologies Co., Ltd.**

Building No.10, Wanlun Science Park, Jiangling Road 88, Binjiang District, Hangzhou, Zhejiang, China (310051)

Email: [overseasbusiness@uniview.com](mailto:overseasbusiness@uniview.com); [globalsupport@uniview.com](mailto:globalsupport@uniview.com)

<http://www.uniview.com>

©2021-2022 Zhejiang Uniview Technologies Co., Ltd. All rights reserved.

\* Product specifications and availability are subject to change without notice.