

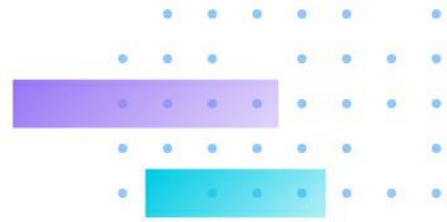
FD9369

Fixed Dome Network Camera

2MP 30fps • Smart IR • 30M IR • Smart Stream III • Smart Motion Detection

- H.265 Compression Technology
- 30 fps @ 1920x1080
- Smart Stream III to Optimize Bandwidth Efficiency
- Built-in IR Illuminators, Effective up to 30 Meters
- Smart IR Technology to Avoid Overexposure
- Smart Motion Detection to Reduce False Alarms
- Built-in MicroSD/SDHC/SDXC Card Slot for On-board Storage
- Weather-proof IP66 and Vandal-proof IK10-rated Protection





Technical Specifications

System Information

Model	FD9369
CPU	Multimedia SoC (System-on-Chip)
Flash	256 MB
RAM	256 MB

Camera Features

Image Sensor	1/3.1" Progressive CMOS
Max. Resolution	1920x1080 (2MP)
Lens Type	Fixed-focal
Focal Length	f = 2.8 mm
Aperture	F2.0
Iris Type	Fixed Iris
Field of View	116° (Horizontal) 65° (Vertical) 140° (Diagonal)
Shutter Time	1/5 sec. to 1/32,000 sec.
WDR Technology	WDR Enhanced
Day/Night	Yes
Removable IR-cut Filter	Yes
IR Illuminators	Built-in IR illuminators, effective up to 30 meters with Smart IR, IR LED*1
Minimum Illumination	0.08 lux @ F2.0 (Color) <0.005 lux @ F2.0 (B/W) 0 lux with IR illumination on
Pan Range	350°
Tilt Range	-10° ~ 75°
Rotation Range	No rotation, 2-axis design
Pan/Tilt/Zoom Functionalities	ePTZ: 18x digital zoom (4x on IE plug-in, 4.5x built-in)
Storage	Seamless Recording to MicroSD/SDHC/SDXC card and recording to network-attached storage (NAS)

Video

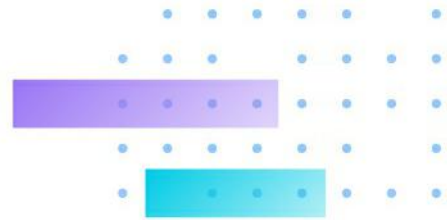
Video Compression	H.265, H.264, MJPEG
Maximum Frame Rate	30 fps @ 1920x1080
Maximum Streams	2 video streams (Up to 7 configurable profiles)
S/N Ratio	59 dB
Video Streaming	Adjustable resolution, quality and bit rate control, Smart Stream III
Image Settings	General settings: video title and time stamp overlay, video orientation (flip, mirror, rotation), day/night settings; Illuminators: illuminators, anti-overexposure; Image settings: white balance, image adjustment (brightness, contrast, saturation, sharpness, gamma curve), defog, 3DNR; Exposure: BLC, HLC, exposure control (exposure level, exposure time, gain control), AE speed adjustment, WDR; Privacy mask; Scheduled profile settings; Pixel calculator

Audio

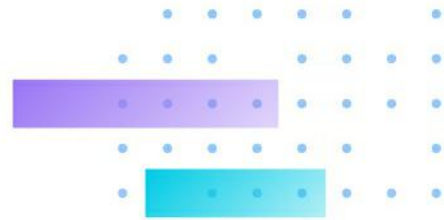
Audio Capability	One-way audio
Audio Compression	G.711, G.726
Audio Interface	Built-in microphone
Effective Range	5 meters

Network

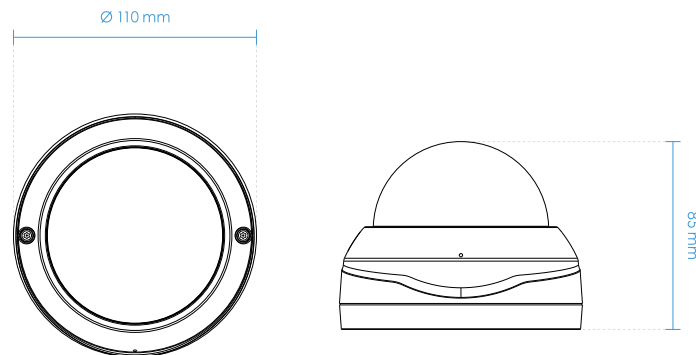
Users	Live viewing for up to 10 clients
Security	Access list, digest authentication, HTTPS, IEEE 802.1x, password protection, signed firmware, user access log, user account management



Protocols	802.1X, ARP, Bonjour, CIFS/SMB, DDNS, DHCP, DNS, FTP, HTTP, HTTPS, ICMP, IGMPv3, IPv4, IPv6, NTP, PPPoE, QoS (CoS/DSCP), RTSP/RTP/RTCP, SMTP, SNMP, SSL, TCP/IP, TLS 1.2, UDP, UPnP
Interface	10 Base-T/100 Base-TX Ethernet (RJ-45) *It is highly recommended to use standard CAT5e & CAT6 cables which are compliant with the 3P/ETL standard.
ONVIF	Profile G, S, T supported, specification available at www.onvif.org
Solution Integration	
Smart Motion Detection	Five-window video motion detection, people detection, time filter
VADP Package	Smart Motion Detection
Alarm and Event	
Event Trigger	Audio detection, camera tampering detection, manual trigger, motion detection, periodical trigger, recording notification, SD card life expectancy, system boot
Event Action	Event notification via email, HTTP, FTP, NAS server, SD card, push notification File upload via email, HTTP, FTP, NAS server, SD card
General	
Connectors	RJ-45 cable connector for 10/100Mbps Network/PoE connection
LED Indicator	System power and status indicator
Power Input	IEEE 802.3af Class 0 PoE, DC 12V (Simultaneous Power Redundancy Supported)
Power Consumption	PoE: Max. 6.49W/4W (IR on/off) DC 12V: Max. 5.1W/3.4W (IR on/off)
Dimensions	Ø 110 x 85 mm
Weight	465 g
Certifications	EMC: CE (EN55032 Class B, EN55035), FCC (FCC Part 15 Subpart B Class B), ICES-003 issue 7, RCM (AS/NZS CISPR 32 Class B), VCCI (VCCI-CISPR 32 Class B); Safety: UL (UL 62368-1), CB (IEC/EN 62368-1, IEC/EN 62471, IEC/EN 60950-22); IA: BIS (IS 13252); BSMI; Environment: IK10 (IEC 62262), IP66 (IEC 60529)
Operating Temperature	Starting Temperature: -30°C ~ 50°C (-22°F ~ 122°F) Working Temperature: -30°C ~ 55°C (-22°F ~ 131°F) (IR off) -30°C ~ 50°C (-22°F ~ 122°F) (IR on)
Humidity	95% RH (non-condensing)
Warranty	36 months
System Requirements	
Operating System	Microsoft Windows 10/8/7 Mac 10.12 (Chrome only)
Web Browser	Chrome 58.0 or above Internet Explorer 10/11
Other Players	VLC: 1.1.11 or above
Included Accessories	
Packing Contents	Quick installation guide, alignment sticker, screw pack, cable gland, desiccant bag



Dimensions



Compatible Accessories

Mounting Kits



AM-21M (v03)
L-shape Bracket

Mounting Kits



AM-51H
4" Electrical Octagon Box & Single Gang Box

Mounting Kits



AM-52E (v02)
Mounting Adapter

Mounting Kits



AM-71E (v02)
Outdoor Conduit Box

Mounting Kits



AM-71F
Indoor Conduit Box