

# 2MP 45X Lighthunter IR Network PTZ Dome Camera

IPC6852ER-X45-VF



## Key Features



- High quality image with 2MP,1/1.8" CMOS sensor
- 1920\*1080@60fps in the main stream
- Ultra 265, H.265, H.264, MJPEG
- 45X Optical Zoom
- Smart intrusion prevention, support false alarm filtering, include Cross Line, Intrusion, Enter Area, Leave Area detection
- Face capture, automatic selection of best snapshots, support face detection masked area
- People Counting, support people flow counting and crowd density monitoring, suitable for different statistical scenarios
- Lighthunter technology ensures ultra-high image quality in low illumination environment
- Smart IR, up to 250m (820ft) IR distance
- AC 24V ±25%, DC 24V±25%, PoE++ (IEEE 802.3bt) power supply
- Alarm 7 in and 2 out, Audio 1 in and 1 out
- IP66 ingress protection
- IK10(excluding glass window/wiper)

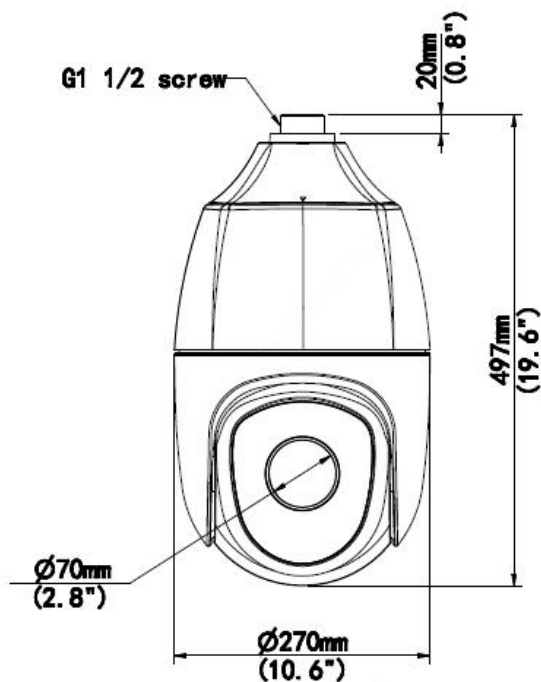
## Specifications

|                         |                                                                                                                              |                   |                  |                 |                 |
|-------------------------|------------------------------------------------------------------------------------------------------------------------------|-------------------|------------------|-----------------|-----------------|
|                         | IPC6852ER-X45-VF                                                                                                             |                   |                  |                 |                 |
| <b>Camera</b>           |                                                                                                                              |                   |                  |                 |                 |
| Sensor                  | 1/1.8", 2.0 megapixel, progressive scan, CMOS                                                                                |                   |                  |                 |                 |
| Minimum Illumination    | Colour: 0.0005Lux (F1.2, AGC ON)<br>0Lux with IR                                                                             |                   |                  |                 |                 |
| Day/Night               | IR-cut filter with auto switch (ICR)                                                                                         |                   |                  |                 |                 |
| Shutter                 | Auto/Manual, 1 ~ 1/100000s                                                                                                   |                   |                  |                 |                 |
| WDR                     | 120dB                                                                                                                        |                   |                  |                 |                 |
| S/N                     | >52dB                                                                                                                        |                   |                  |                 |                 |
| <b>Lens</b>             |                                                                                                                              |                   |                  |                 |                 |
| Lens type               | 5.7 ~ 256.5mm, AF automatic focusing and motorized zoom lens                                                                 |                   |                  |                 |                 |
| Digital Zoom            | 16                                                                                                                           |                   |                  |                 |                 |
| Optical Zoom            | 45                                                                                                                           |                   |                  |                 |                 |
| Iris                    | Auto; F1.2 ~ F4.6                                                                                                            |                   |                  |                 |                 |
| Field of View (H)       | 59.5° ~ 2.2°                                                                                                                 |                   |                  |                 |                 |
| Field of View (V)       | 35.6° ~ 1.2°                                                                                                                 |                   |                  |                 |                 |
| Field of View (D)       | 73.2° ~ 2.6°                                                                                                                 |                   |                  |                 |                 |
| <b>DORI</b>             |                                                                                                                              |                   |                  |                 |                 |
| DORI Distance           | Lens (mm)                                                                                                                    | Detect (m)        | Observe (m)      | Recognize (m)   | Identify (m)    |
|                         | 5.7                                                                                                                          | 107.2(351.8ft)    | 42.9(140.7ft)    | 21.4(70.4ft)    | 10.7(35.2ft)    |
|                         | 256.5                                                                                                                        | 3330.6(10927.2ft) | 1332.2(4370.9ft) | 666.1(2185.4ft) | 333.1(1092.7ft) |
| <b>Illuminator</b>      |                                                                                                                              |                   |                  |                 |                 |
| IR Range                | Up to 250m (820 ft) IR range                                                                                                 |                   |                  |                 |                 |
| Wavelength              | 850nm                                                                                                                        |                   |                  |                 |                 |
| IR On/Off Control       | Auto/Manual                                                                                                                  |                   |                  |                 |                 |
| <b>Video</b>            |                                                                                                                              |                   |                  |                 |                 |
| Video Compression       | Ultra 265, H.265, H.264, MJPEG                                                                                               |                   |                  |                 |                 |
| Frame Rate              | Main Stream: 2MP (1920*1080), Max 60fps;<br>Sub Stream: 2MP (1920*1080), Max 60fps;<br>Third Stream: D1 (720*576), Max 60fps |                   |                  |                 |                 |
| Video Bit Rate          | 128 Kbps~16 Mbps                                                                                                             |                   |                  |                 |                 |
| U-code                  | Support                                                                                                                      |                   |                  |                 |                 |
| ROI                     | Up to 8 areas                                                                                                                |                   |                  |                 |                 |
| Video stream            | Triple streams                                                                                                               |                   |                  |                 |                 |
| OSD                     | Up to 8 OSDs                                                                                                                 |                   |                  |                 |                 |
| Privacy Mask            | 24 areas, up to 4 areas per scene                                                                                            |                   |                  |                 |                 |
| <b>Image</b>            |                                                                                                                              |                   |                  |                 |                 |
| White Balance           | Auto/Outdoor/Fine Tune/Sodium Lamp/Locked/Auto2                                                                              |                   |                  |                 |                 |
| Digital noise reduction | 2D/3D DNR                                                                                                                    |                   |                  |                 |                 |
| Flip                    | Normal/Flip Vertical/Flip Horizontal/180°/90°Clockwise/90°Anti-clockwise                                                     |                   |                  |                 |                 |
| EIS                     | Support                                                                                                                      |                   |                  |                 |                 |
| HLC                     | Support                                                                                                                      |                   |                  |                 |                 |

|                            |                                                                                                                                                                                                            |
|----------------------------|------------------------------------------------------------------------------------------------------------------------------------------------------------------------------------------------------------|
| BLC                        | Support                                                                                                                                                                                                    |
| Defog                      | Optical Defog & Digital Defog                                                                                                                                                                              |
| AGC                        | Support                                                                                                                                                                                                    |
| <b>Intelligent</b>         |                                                                                                                                                                                                            |
| Smart Intrusion Prevention | Support false alarm filtering: Cross Line detection, Intrusion detection, Enter Area detection, Leave Area detection                                                                                       |
| Face Capture               | Support; Face attributes: Gender, Age range, Glasses, Mask                                                                                                                                                 |
| People Counting            | Support people flow counting and crowd density monitoring                                                                                                                                                  |
| <b>Events</b>              |                                                                                                                                                                                                            |
| Basic Detection            | Motion detection, Audio detection, Tampering Alarm                                                                                                                                                         |
| Auto Tracking              | Support                                                                                                                                                                                                    |
| General Function           | Watermark, IP Address Filtering, Alarm input, Alarm output, Access Policy, ARP Protection, RTSP Authentication, User Authentication                                                                        |
| <b>Audio</b>               |                                                                                                                                                                                                            |
| Audio Compression          | G.711U,G.711A                                                                                                                                                                                              |
| Audio Bitrate              | 64 Kbps                                                                                                                                                                                                    |
| Two-way audio              | Support                                                                                                                                                                                                    |
| Suppression                | Support                                                                                                                                                                                                    |
| Sampling Rate              | 8 kHz                                                                                                                                                                                                      |
| <b>Storage</b>             |                                                                                                                                                                                                            |
| Edge Storage               | Micro SD, up to 256GB                                                                                                                                                                                      |
| Network Storage            | ANR,NAS(NFS)                                                                                                                                                                                               |
| <b>Network</b>             |                                                                                                                                                                                                            |
| Protocols                  | IPv4, IGMP, ICMP, ARP, TCP, UDP, DHCP, PPPoE, RTP, RTSP, RTCP, DNS, DDNS, NTP, FTP, UPnP, HTTP, HTTPS, SMTP, 802.1x, SNMP, QoS, RTMP, SSL/TLS                                                              |
| Compatible Integration     | ONVIF (Profile S, Profile G, Profile T), API, SDK                                                                                                                                                          |
| User/Host                  | Up to 32 users. 3 user levels: administrator, operator and common user                                                                                                                                     |
| Security                   | Password protection, strong password, HTTPS encryption, Export operation logs, basic and digest authentication for RTSP, digest authentication for HTTP, TLS 1.2, WSSE and digest authentication for ONVIF |
| Client                     | EZStation<br>EZView<br>EZLive                                                                                                                                                                              |
| Web Browser                | Plug-in free live view: Chrome 57.0+, Firefox 58.0+, Edge 16+, Safari 11+                                                                                                                                  |
|                            | Plug-in required live view: IE 10 and above, Chrome 45 and above, Firefox 52 and above, Edge 79 and above                                                                                                  |
| <b>Pan &amp; Tilt</b>      |                                                                                                                                                                                                            |
| Pan Range                  | 360° (endless)                                                                                                                                                                                             |
| Pan Speed                  | 0.1°/s ~ 180°/s                                                                                                                                                                                            |
|                            | Preset speed: 300°/s                                                                                                                                                                                       |
| Tilt Range                 | -15° ~ 90° (auto reverse)                                                                                                                                                                                  |
| Tilt Speed                 | 0.1°/s ~ 180°/s                                                                                                                                                                                            |
|                            | Preset speed: 240°/s                                                                                                                                                                                       |
| Number of Presets          | 1024                                                                                                                                                                                                       |
| Preset Patrol              | 16 patrols, up to 64 presets for each patrol                                                                                                                                                               |
| Route Patrol               | 16 patrols, up to 32 actions for each patrol                                                                                                                                                               |
| Recorded Patrol            | 16 patrols, up to 128 actions for each patrol                                                                                                                                                              |

|                      |                                                                                                                                                         |
|----------------------|---------------------------------------------------------------------------------------------------------------------------------------------------------|
| Patrol Stay Time     | 15s~1800s                                                                                                                                               |
| Preset Image Freeze  | Support                                                                                                                                                 |
| Home Position        | Support                                                                                                                                                 |
| <b>Interface</b>     |                                                                                                                                                         |
| Audio I/O            | 1/1                                                                                                                                                     |
| Alarm I/O            | 7/2                                                                                                                                                     |
| Serial Port          | 1 RS485                                                                                                                                                 |
| Built-in Mic         | N/A                                                                                                                                                     |
| Built-in Speaker     | N/A                                                                                                                                                     |
| WIFI                 | N/A                                                                                                                                                     |
| Network              | 1 RJ45 10M/100M Base-TX Ethernet                                                                                                                        |
| Video output         | N/A                                                                                                                                                     |
| <b>Certification</b> |                                                                                                                                                         |
| EMC                  | CE-EMC (EN 55032:2015+A11:2020; EN IEC 61000-3-2:2019; EN 61000-3-3:2013+A1:2019; EN 55035:2017+A11:2020)<br>FCC (FCC CFR 47 part15 B, ANSI C63.4-2014) |
| Safety               | CE LVD (EN 62368-1:2014+A11:2017)<br>CB (IEC 62368-1:2014)<br>UL (UL 62368-1, 2nd Ed., Issue Date: 2014-12-01)                                          |
| Environment          | CE-ROHS (2011/65/EU;(EU)2015/863)                                                                                                                       |
| Protection           | IP66 (IEC 60529:1989+AMD1:1999+AMD2:2013)<br>IK10 (IEC 62262:2002) (excluding glass window/wiper)                                                       |
| <b>General</b>       |                                                                                                                                                         |
| Power                | AC 24V ±25%, DC 24V±25%, PoE++ (IEEE 802.3bt)                                                                                                           |
|                      | Power consumption: Max 61W                                                                                                                              |
| Power Interface      | Wires with cold-pressed terminal                                                                                                                        |
| Dimensions (Ø x H)   | Φ270 x 497mm (Φ10.6" x 19.6")                                                                                                                           |
| Weight               | 10.3kg(22.66lb)                                                                                                                                         |
| Working Environment  | -40°C ~ 70°C (-40°F ~ 158°F), Humidity: ≤95% RH (non-condensing)                                                                                        |
| Storage Environment  | -40°C ~ 70°C (-40°F ~ 158°F), Humidity: ≤95% RH (non-condensing)                                                                                        |
| Surge Protection     | 6KV                                                                                                                                                     |
| Reset Button         | Support                                                                                                                                                 |

## Dimensions



## Accessories

TR-UF45-A-IN  
Pendent Mount



TR-SE45-A-IN  
Pendent Mount



TR-SE45-IN  
Pendent Mount



TR-CE45-IN  
Pendent Mount



TR-JB12-IN  
Junction Box



TR-WE45-A-IN  
Wall Mount



TR-WE45-B-IN  
Wall Mount


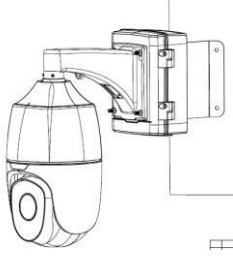
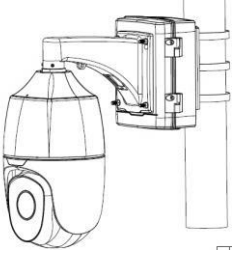


TR-UP08-A/B-IN  
Pole Mount



TR-UC08-A/B-IN  
Corner Mount



| Pendent Mount                                                                      | Wall Mount                                                                         |
|------------------------------------------------------------------------------------|------------------------------------------------------------------------------------|
| TR-UF45-A-IN + TR-SE45-A-IN/TR-SE45-IN;<br>TR-CE45-IN;                             | TR-WE45-A-IN/TR-WE45-B-IN + TR-JB12-IN + TR-UC08-A/B-IN                            |
|   |  |
| Pole Mount                                                                         | /                                                                                  |
| TR-WE45-A-IN/TR-WE45-B-IN + TR-JB12-IN + TR-UP08-A/B-IN                            | /                                                                                  |
|  | /                                                                                  |

**Zhejiang Uniview Technologies Co., Ltd.**

Building No.10, Wanlun Science Park, Jiangling Road 88, Binjiang District, Hangzhou, Zhejiang, China (310051)

 Email: [overseasbusiness@uniview.com](mailto:overseasbusiness@uniview.com); [globalsupport@uniview.com](mailto:globalsupport@uniview.com)
<http://www.uniview.com>

©2022 Zhejiang Uniview Technologies Co., Ltd. All rights reserved.

\*Product specifications and availability are subject to change without notice.