

AP-GXC-0100

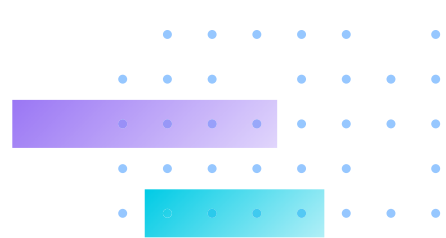
AP-GXC-0200

Indoor 1-Port GE PoE Extender
Indoor 2-Port GE PoE Extender

NDAA

- Gigabit Ethernet
- 802.3 bt compatible
- Surge Protection 12KV
- Max. 300m extension





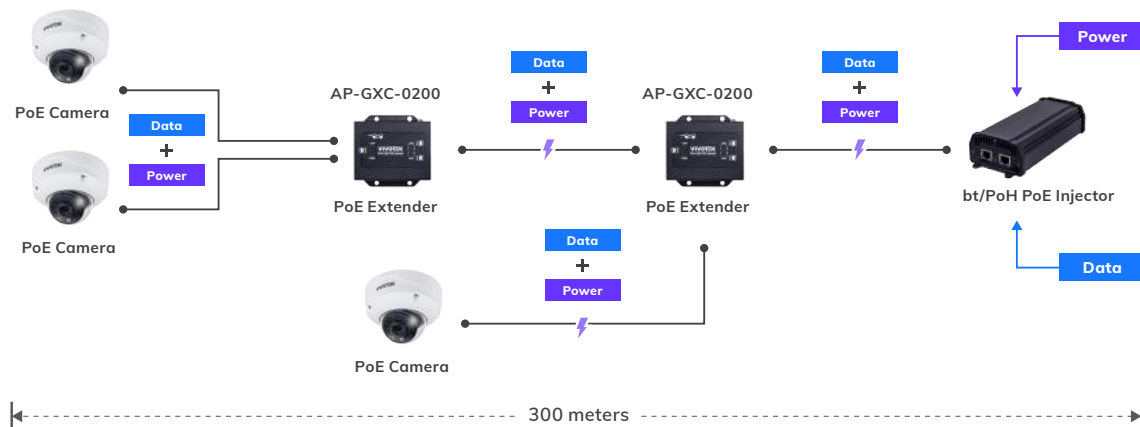
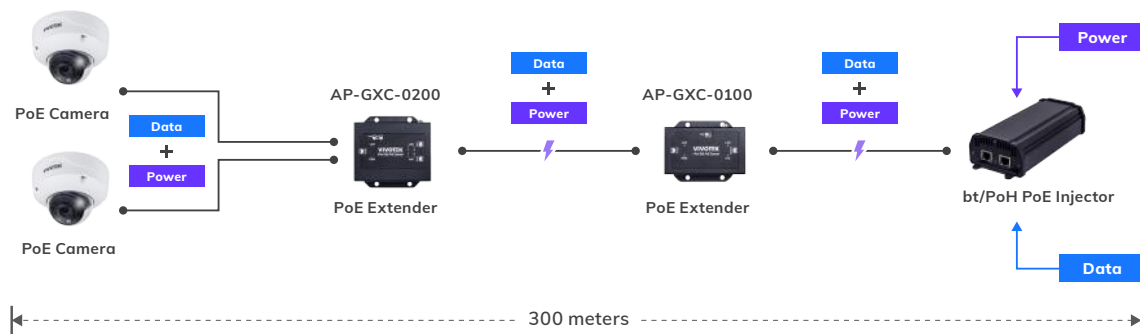
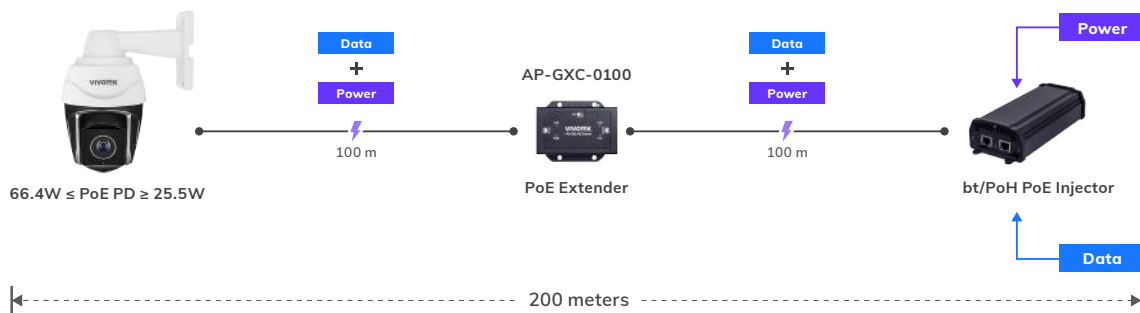
Technical Specifications

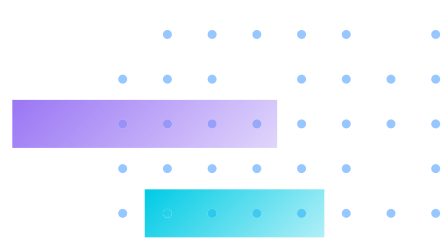
Model	AP-GXC-0100	AP-GXC-0200
Power Specifications		
Extension Distance	2 Units, Daisy-chain Installation Up to 300M Extension (No Local Power Required)	2 Units, Daisy-chain Installation Up to 300M Extension (No Local Power Required)
PoE Input Power	802.3 af/at/bt & PoH up to 95W	802.3 af/at/bt & PoH up to 95W
PoE Output Power	48~55VDC, Max. 68W Passive PoE	48~55VDC, Max. 68W Passive PoE
PD Power Pin Assignment	1/2 (+), 3/6 (-); 4/5 (+), 7/8 (-)	1/2 (+), 3/6 (-); 4/5 (+), 7/8 (-)
PSE Power Pin Assignment	1/2 (+), 3/6 (-); 4/5 (+), 7/8 (-)	1/2 (+), 3/6 (-); 4/5 (+), 7/8 (-)
PD Gigabit Ethernet (RJ45)	1	1
PSE Gigabit Ethernet (RJ45)	1	2
PSE Power On/Off Dip Switch	Supported	Supported
Surge Protection/Each PoE Port	12KV	12KV
Networking Specifications		
Total Gigabit Ethernet Port	2	3
Mac Table	2K	2K
Bandwidth	10/100/1000 Mbps	10/100/1000 Mbps
Switching Capacity	4 Gbps	6 Gbps
Auto-MDI/MDI-X, Auto-Negotiation	Supported	Supported
Mechanical Specifications		
Dimensions (WxHxD)	90 x 69.4 x 28.5 mm	89 x 86.5 x 28 mm
Weight	0.19 KG	0.21 KG
LED Indicators	Power, LAN, PoE	Power, LAN, PoE
Environmental Specifications		
Operating Temperature	-40°C ~ 65°C (-40°F ~ 149°F)	-40°C ~ 65°C (-40°F ~ 149°F)
Storage Temperature	-40°C ~ 85°C (-40°F ~ 185°F)	-40°C ~ 85°C (-40°F ~ 185°F)
Operating Humidity	10 ~ 90% (non-condensing)	10 ~ 90% (non-condensing)
Certifications		
EMC	CE, FCC, VCCI, C-Tick	CE, FCC, VCCI, C-Tick
Warranty		
Warranty	24 months	24 months

Power Budget / Distance Table

Power Source	Power Budget			
PoE Injector/Switch	AP-GXC-0100, 200m	AP-GXC-0200, 200m	AP-GXC-0100, 300m	AP-GXC-0200, 300m
15W	11.1W	2 port <= 11.1W	8.7W	2 port <= 8.7W
30W	21.4W	2 port <= 21.4W	20W	2 port <= 20W
60W	46.9W	2 port <= 46.9W	37.1W	2 port <= 37.1W
90W	66.4W	2 port <= 66.4W	37.1W	2 port <= 37.1W

Application





Dimensions

