

DS-PDD12P-EG2



DS-PDD12-EG2 series of dual-tech detectors are equipped with K-Band 24GHz microwave and 3D fresnel lens technology. Non-interfering technology allowing back to back installation and no penetration through the wall. It allows the detector to be installed and setup quicker than traditional DT's giving time and cost saving advantages to the installer.

- Detection Range: 12m / 85.9°
- Up to 30kg pey immunity
- Automatic sensitivity
- Digital temperature compensation
- 52 zones of 3D optics including creep-zone protection, full coverage without dead angle
- selectable EOL resistors for alarm and tamper-proof wiring
- Sealed optics preventing insect interference
- 24Ghz microwave
- 9 to 16 V wide voltage adaptation with polarity reverse connection protection
- Wall/Ceiling-mounting brackets available (sold separately)
- IFT technology prevents false alarms

▪ Approval

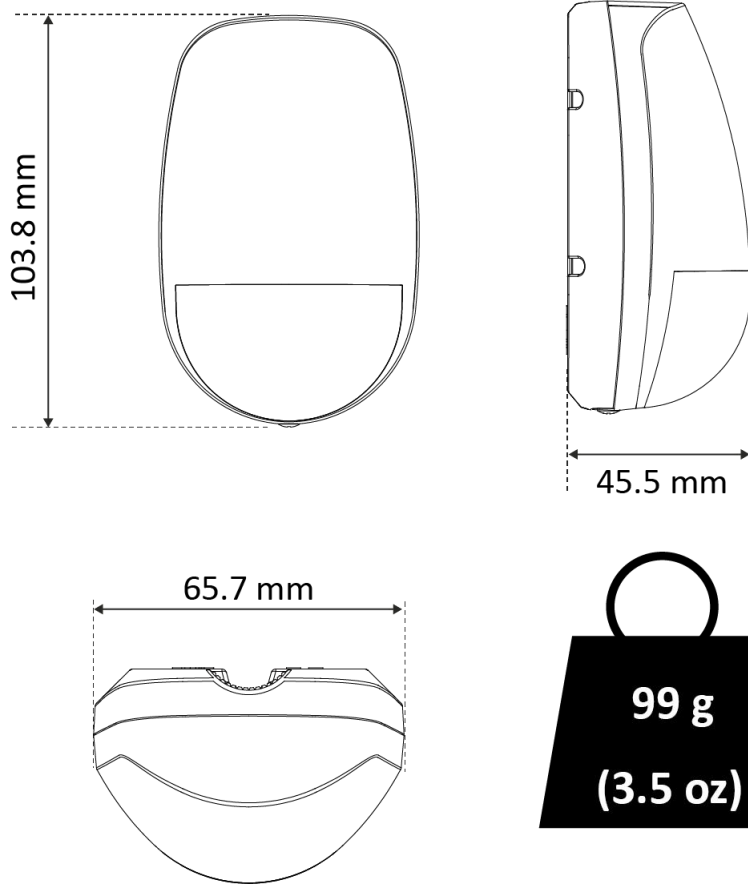
EN Grade 2
CE
FCC
CB
CCC
IC
RCM



▪ Specification

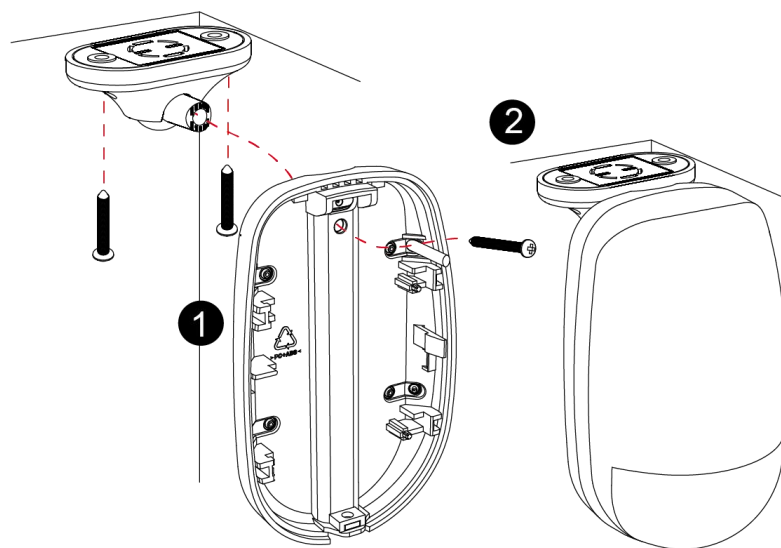
Detection Performance	
Detection Method	Passive Infrared,Microwave
Detection Range	12m
Detection Angle	85.9°
Detection Zones	52
Detectable Speed	0.3 ~ 2m/s
Sensitivity	Auto,Pet
Pet Immunity	30Kg
White Light Filter	6500lux
Microwave Frequency	24GHz(24.15 ~ 24.25GHz)
Digital Temperature Compensation	Support
Creep Zone Protection	Support
Feature	
Digital Processing	Support
Sealed Optics	Support
Tamper Protection	Front
Interface	
Alarm Output	Normally Closed
LED Indicator	Green(PIR), Orange(Microwave), Blue(Alarm)
Transmission	
Transmission Method	Wired
Electrical Characteristics	
Power Supply	9 to 16 VDC
Typical Voltage	12 VDC
Power Consumption	17mA Max
General	
Operation Temperature	-10 °C to 55 °C (14 °F to 131 °F)
Storage Temperature	-20 °C to 60 °C (-4 °F to 140 °F)
Operation Humidity	10% to 90%
Dimension(WxHxD)	65.7 mm (2.59 ") × 103.8 mm (4.09 ") × 45.5 mm (1.79 ")
Weight	99g (3.5 oz)
Mounting Height	1.8 m to 2.4 m
Mounting Method	Wall
Application Scenario	Indoor
Bracket	Optional wall & ceiling accessory

▪ **Dimension**

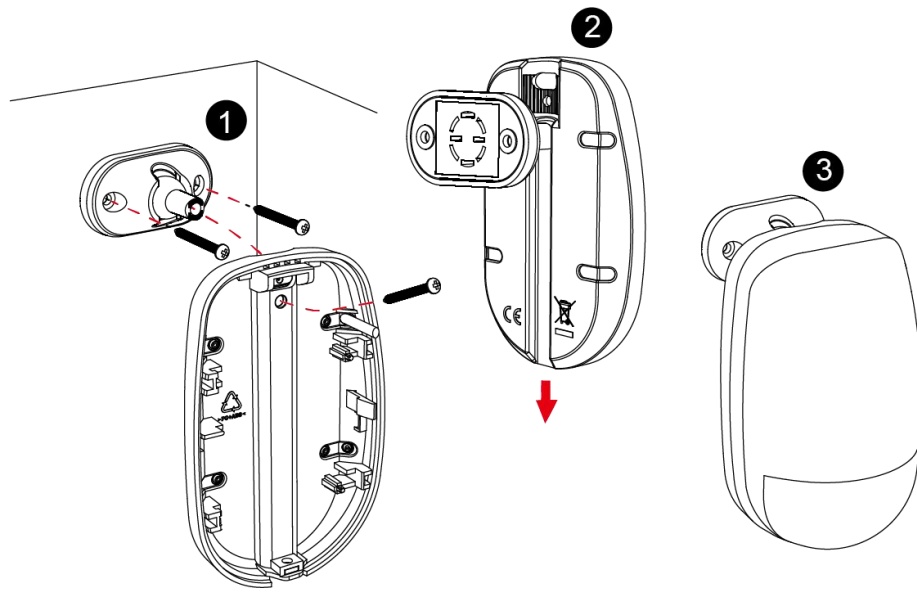


▪ **Installation**

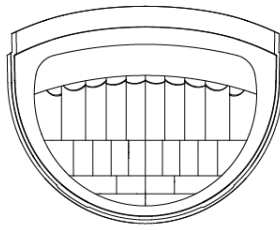
▪ **Ceiling Bracket Fitting**



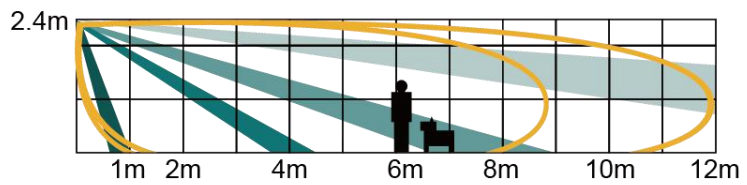
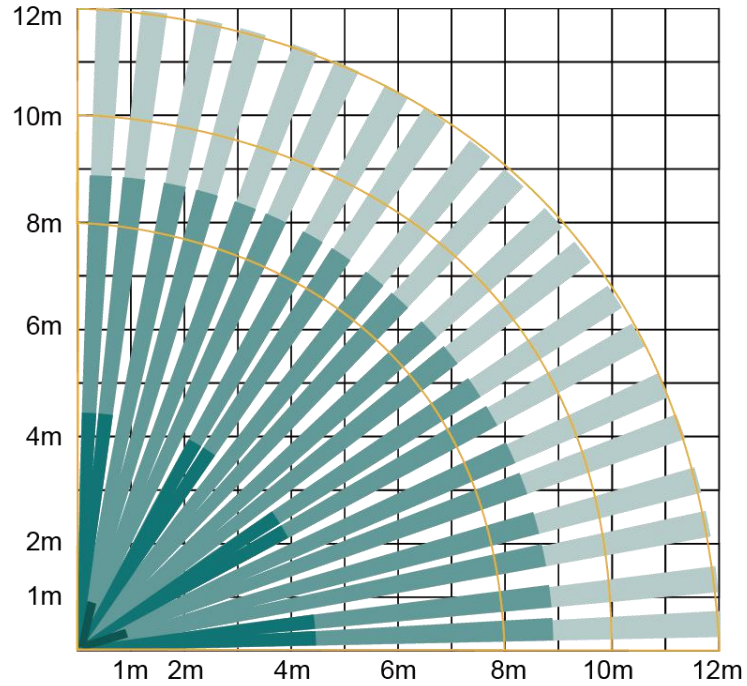
▪ Wall Bracket Fitting



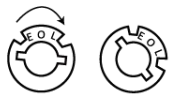
▪ Detection Range



Detection Range
 85.9°
 52 zones
 4 planes



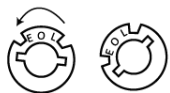
Microwave Range Control ———



Max: 11 to 12 m



Medium: 2 to 11 m



Min: 0 to 2 m

- Accessory
- Optional

DS-PDB-IN-Wallbracket Internal ceiling mounted bracket	DS-PDB-IN-Ceilin gbracket Internal wall mounted bracket	DS-PDB-IN-Unive rsalbracket Internal universal bracket
		

▪ Available Model

DS-PDD12P-EG2

Distributed by



HIKVISION®

Headquarters

No.555 Qianmo Road, Binjiang District,
Hangzhou 310051, China
T +86-571-8807-5998
overseasbusiness@hikvision.com

Hikvision USA
T +1-909-895-0400
sales.usa@hikvision.com

Hikvision Australia
T +61-2-8599-4233
salesau@hikvision.com

Hikvision India
T +91-22-28469900
sales@pramahikvision.com

Hikvision Canada
T +1-866-200-6690
sales.canada@hikvision.com

Hikvision Thailand
T +662-275-9949
sales.thailand@hikvision.com

Hikvision Europe
T +31-23-5542770
sales.eu@hikvision.com

Hikvision Italy
T +39-0438-6902
info.it@hikvision.com

Hikvision Brazil
T +55 11 3318-0050
Latam.support@hikvision.com

Hikvision Turkey
T +90 (216)521 7070- 7074
sales.tr@hikvision.com

Hikvision Malaysia
T +601-7652-2413
sales.my@hikvision.com

Hikvision UK & Ireland
T +01628-902140
sales.uk@hikvision.com

Hikvision South Africa
Tel: +27 (10) 0351172
sale.africa@hikvision.com

Hikvision France
T +33(0)1-85-330-450
info.fr@hikvision.com

Hikvision Kazakhstan
T +7-727-9730667
nikia.panfilov@hikvision.ru

Hikvision Vietnam
T +84-974270888
sales.vt@hikvision.com

Hikvision UAE
T +971-4-4432090
salesme@hikvision.com

Hikvision Singapore
T +65-6684-4718
sg@hikvision.com

Hikvision Spain
T +34-91-737-16-55
info.es@hikvision.com

Hikvision Tashkent
T +99-87-1238-9438
uzb@hikvision.ru

Hikvision Hong Kong
T +852-2151-1761
info.hk@hikvision.com

Hikvision Russia
T +7-495-669-67-99
saleru@hikvision.com

Hikvision Korea
T +82-(0)31-731-8817
sales.korea@hikvision.com

Hikvision Poland
T +48-22-460-01-50
info.pl@hikvision.com

Hikvision Indonesia
T +62-21-2933759
Sales.Indonesia@hikvision.com

Hikvision Colombia
sales.colombia@hikvision.com