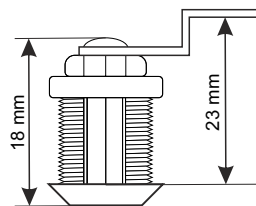


Lock for casings: MR008 / MR027

VII

- two keys included
- compatible with casings for SSWiN
- compatible with (the following) telecommunication enclosures-surface mounted:
AWO804Z / 805Z / 806Z
- MR008: various code lock, type 802
- MR027: repeatable code lock 9081, type 876



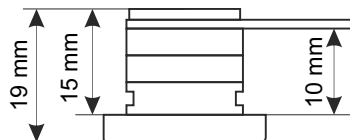
Key: MR009 (raw material)/ MR042 (key to lock 9081)

- compatible with locks MR008/MR027



Lock for telecommunication enclosures: MR045

- two keys included
- compatible with (the following) telecommunication enclosures-flush-mounted:
AWO801Z / 802Z / 803Z
- repeatable code lock, type B254



Tamper (antisabotage switch): ML101

- contacts C/NO (C/NC closed casings)
- switched current 0,5A@30VDC /50VAC max.
- compatible with casings for SSWiN (grip PW050 required)



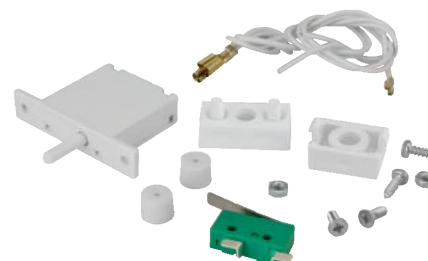
Tamper grip: PW050

- destined for assembling ML101 in casing



Built-up tamper 16mm: PKAZ005

- contacts C/NO (C/NC closed casings)
- switched current 0,5A@30VDC /50VAC max.
- compatible with casings for SSWiN
- set contains cables and mounting screws



Tamper (antisabotage switch): ML106

- contacts C/NO (C/NC closed casings)
- switched current 1A@30VDC, 3A@250VAC max



Angular muff: ML062

Material - brass

Color - natural

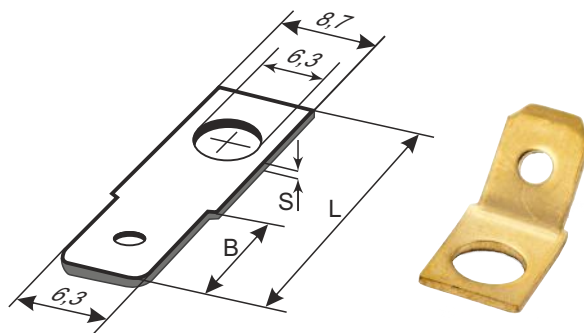
Installation:

- hole 6,3 mm,

- connector M 6,3mm (6,3/J2,5)

Dimensions: A/B/C/L/S [mm. +/-0,2]

- --/--/5,1/18,3/0,8



Mounting pin: PW100

Material - polyamide 66

Color - natural

Installation:

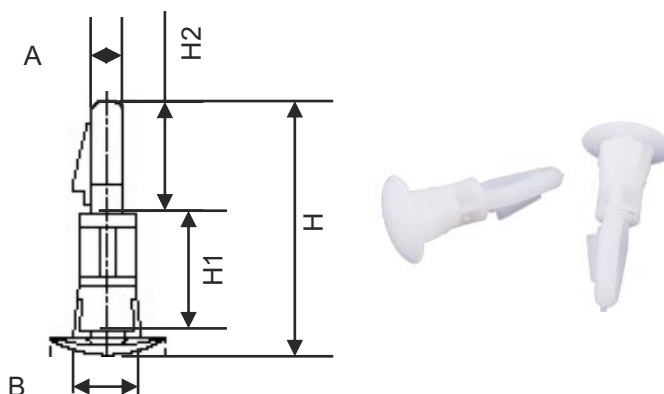
- into plate hole 4,0 mm,

- into metal sheet hole 6,0 mm,

- material thickness 0,7-1,6 mm;

Dimensions: H/H1/H2/A/B [mm. +/-0,2]

- 21,0 / 8,1 / 11,0 / 4,0 / 5,8



Mounting pin: MM051

Material - nylon 66

Color - natural

Installation:

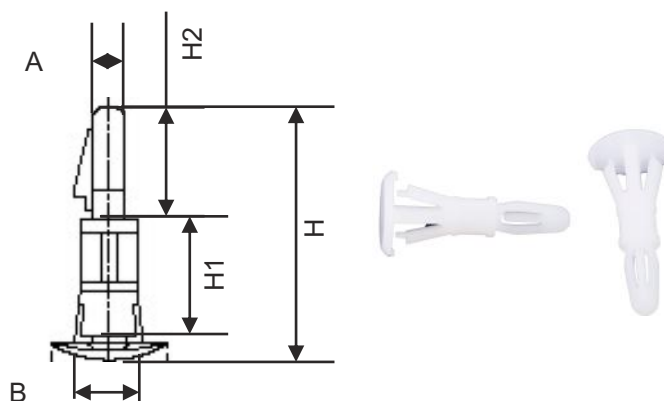
- into plate hole 3,2 mm,

- into metal sheet hole 4,8 mm,

- material thickness 0,7-1,6 mm;

Dimensions: H/H1/H2/A/B [mm. +/-0,2]

- 21,0 / 7,9 / 8,7 / 3,1 / 4,6



Spacer pin adhesive Ø6: MM054

- 100 pieces in a single package

- mounted on double sided tape

