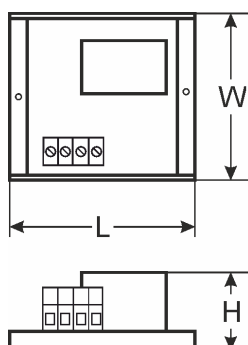
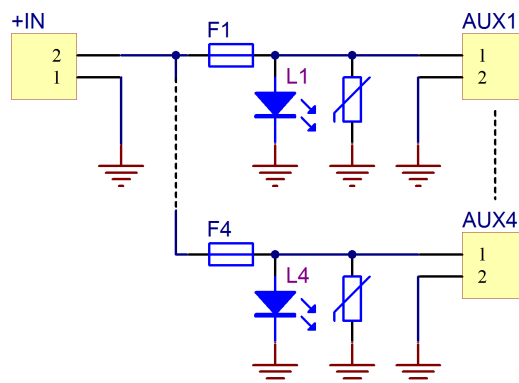


CODE: **AWZ589** v.1.1/III
NAME: **LB4/4x2A/2,5/FTA fuse module**

EN**



DESCRIPTION

The LB4/4x2A/2.5/FTA fuse module is designed for power distribution in low-voltage systems requiring voltage of **10V÷30V DC**. It is fitted with the IN input for power supply and 4 AUX1÷AUX4 power supply outputs independently protected with 2A fuses. Fuse activation is indicated by switching off the appropriate LED: L1 for AUX1, L2 for AUX2 etc. Additionally, each output is protected with a varistor protecting the power supply and receivers against surges in the supply system. The module is adapted for connection of wires with a maximum cross-section of **2,5mm²**.

SPECIFICATIONS

Supply voltage	10V÷30 V DC (-2%/+2%)
Output voltage	$U_{AUX} = U_{IN}$ (equal to supply voltage)
Current consumption	5mA ÷ 30mA @ $U_{in}=10 \div 30$ V DC
Number of power inputs	1 (IN terminals) - max. 2,5mm² cable
Number of power outputs	4 (AUX terminals) - max. 2,5mm² cable
Protections against: - a short circuit SCP - an overload OLP - a surge	- 4 x 2A - 4 x 2A - varistors
LED indication	- green LED L1 ÷ L4 – status of the AUX1÷AUX4 outputs
F1 ÷ F4 fuses	4 x F2A
Operating conditions	II environmental class, -10°C ÷ 50°C
Dimensions	L=80, W=43, H=27 (+/-2mm)
Installation	a mounting panel with an adhesive tape, mounting screws x2 (holes Ø3mm)
Connectors: - power supply input/output	Ø0,51÷2,05 (AWG 24-12), 0,5 ÷ 2,5mm ²
Net/gross weight	0,05kg / 0,07kg
Declarations, warranty	CE, 2 year from the production date