

VELMAG™ MORTICE EM LOCKS 35 MM with stainless steel body

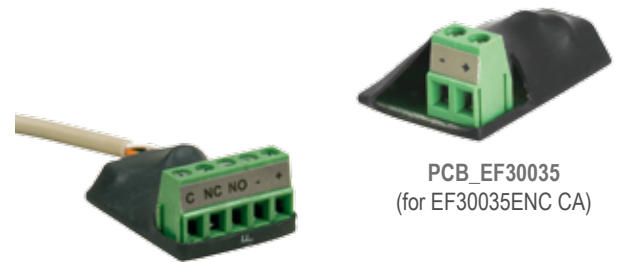
300 DaN

- Electromagnetic lock body in stainless steel
- Suitable for narrow profiles
- Fixing by rear press screw or lateral wings
- Connection by removable screw terminal block
- Locked / unlocked status sensor by REED contact (CTC model)
- Anti-remanence device by ejector

2 fixing variants: by rear press screw or lateral wings



EF30035ENC CA



PCB_EF30035
(for EF30035ENC CA)

PCB_EF30035CTC
(for EF30035ENCCTC CA)

CHARACTERISTICS

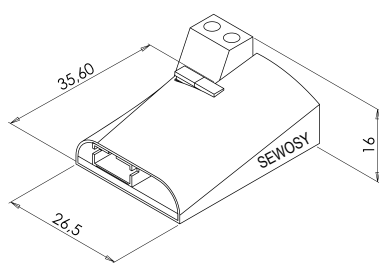
Dimensions H x W x D	Electromagnet Armature plate	35,5 x 195 x 27 mm 38 x 180 x 11 mm - M8
	12-24V DC	480-240 mA
	-10°C +55°C	42
	24V DC-1 A	300*

* Maximal theoretical holding forces, for an implementation meeting the optimum laying conditions

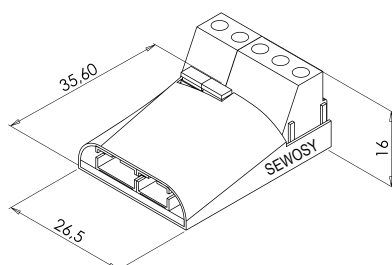
EF30035ENC CA Mortice electromagnetic lock 35,5 mm 300 DaN 12-24V DC 2 kg

EF30035ENCCTC CA Mortice electromagnetic lock 35,5 mm 300 DaN 12-24V DC + contact 2 kg

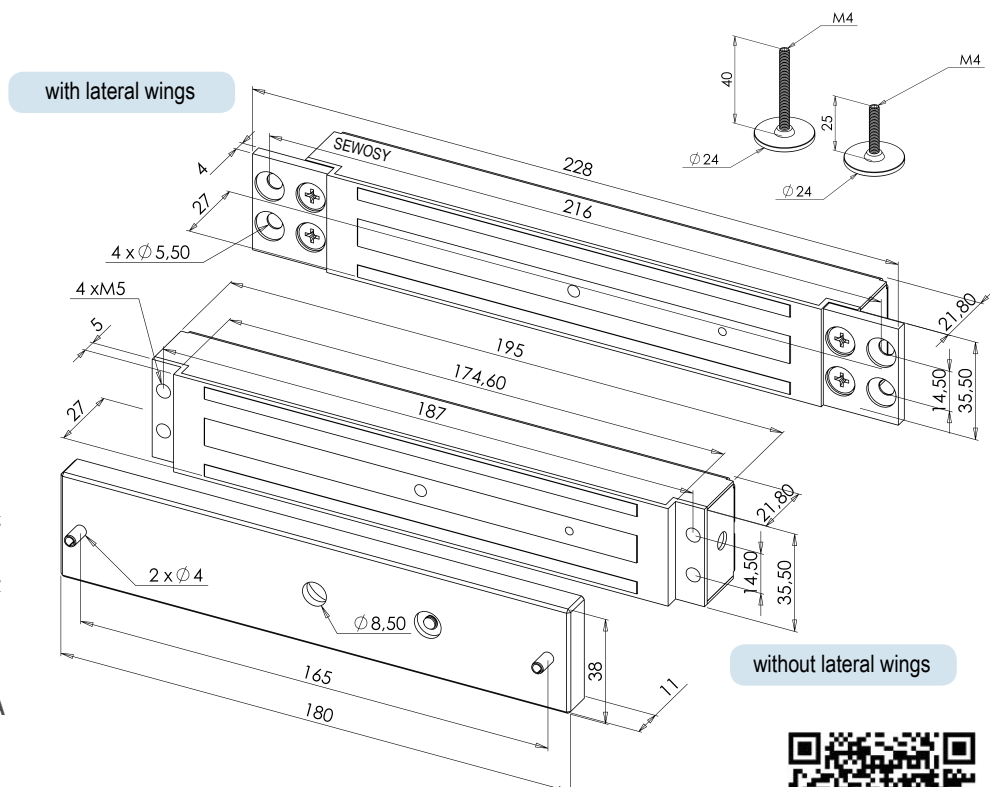
Customs code
83014019



PCB for EF30035ENC CA



PCB for EF30035ENCCTC CA



without lateral wings

