



# 3000-201

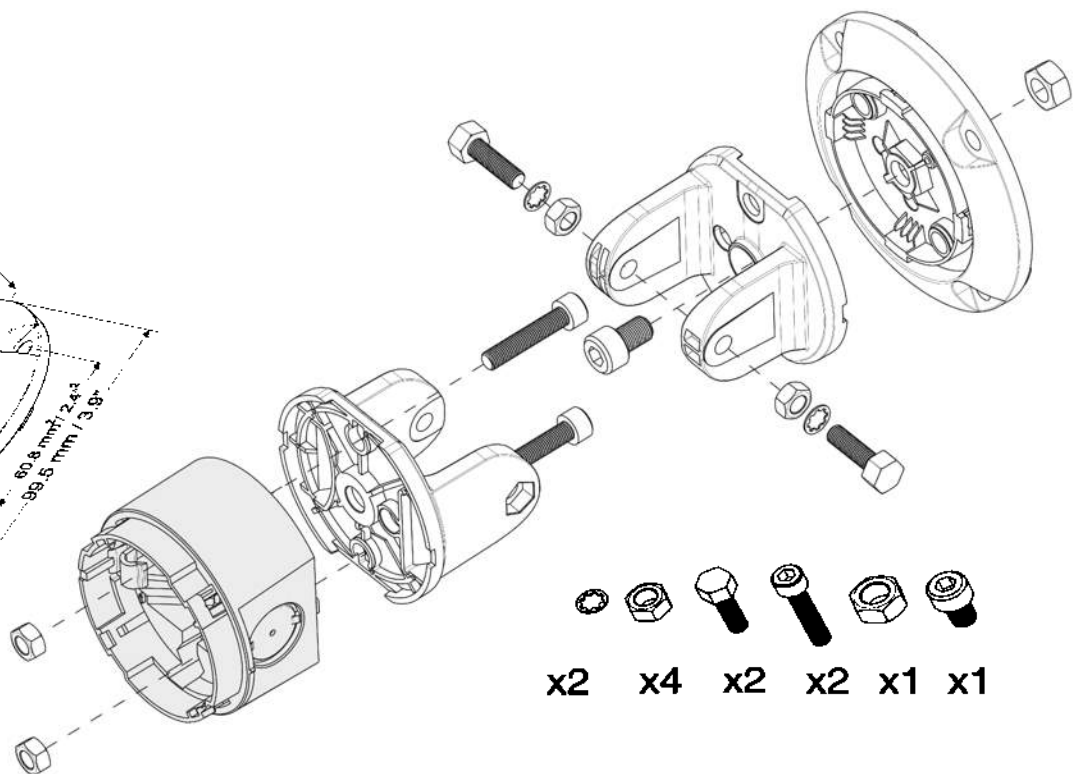
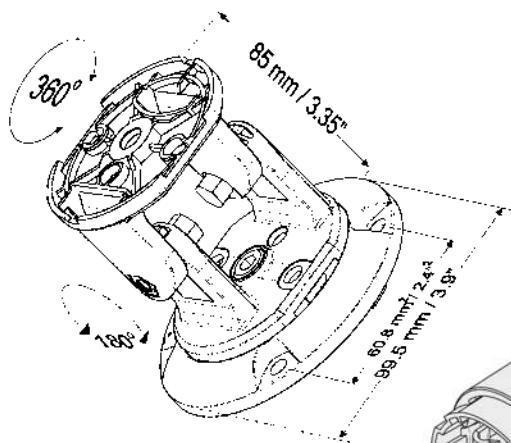
## Adjustment Bracket

### Specification

The 3000-201 surface mount Universal Mounting Bracket comes pre-drilled to mount the Fireray® 3000 Detector heads allowing 360° x 180° adjustment. Can also be used with 5000-007 Four and 5000-008 Single Prism Mounting Plates. When using the 3000-201 with the 5000-007/008 review the 5000-007/008 data sheets for limitations of the angles.

■ Weight: 10 oz.

### Dimensions



FFE Ltd  
1455 Jamike Ave Ste 200, Erlanger  
KY 41018-3147 USA

t 940 271 0435  
f 972 534 1526  
e america@ffeuk.com  
w www.ffeuk.com

Formerly known as Fire Fighting Enterprises Ltd

Specifications and wiring information are provided for information only and are believed to be accurate. FFE Ltd assumes no responsibility for their use. Data and design are subject to change without notice. Installation and wiring instructions are shipped with the products and should always be used for actual installation. For more information, contact your Sales Representative.

Document Part No: 24-0088-02