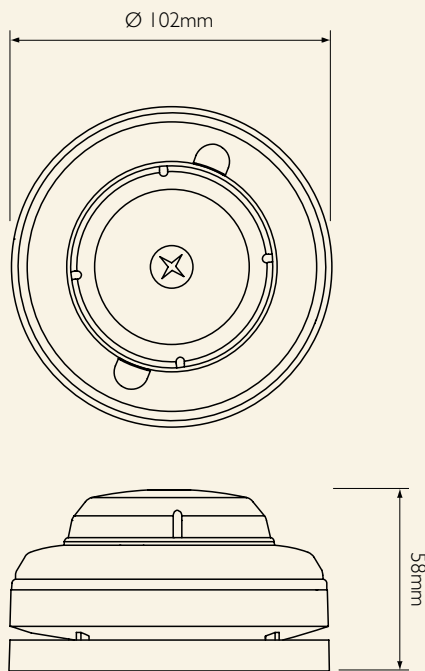


## SOLISTA SQM LED



### Specification

Voltage	9 to 28Vdc
Current	3mA / 6mA (user selectable) (does not include sounder current)
Flash Rate	0.5Hz / 1Hz (user selectable)
Light Output	>0.5Cd / 1.0Cd (user selectable)
Temperature	-10°C to +55°C
Monitoring	Reverse polarity
Construction	ABS Body / Polycarbonate Lens
IP Rating	IP42
Lens Colour	Red
Body Colour	Red or White
Weight	0.1Kg / 0.26Kg

The use of beacons to supplement audible alarms is becoming increasingly common. The use of a combined sounder beacon allows both an audible and visual alarm to be provided but requires only a single installation point and with the Solista Squashni Micro it is all provided in an ultra low profile format. LED beacons have a dramatically lower current consumption than that of traditional xenon beacons making them ideal for applications where sounder circuit capacity is limited. This version of the Solista is specially adapted to fit the Squashni Micro to give an ultra-low current audio-visual unit.

- ULTRA LOW CURRENT – LED TECHNOLOGY
- SOUNDER & BEACON WITH A SINGLE INSTALLATION POINT
- LOW PROFILE DESIGN
- AVAILABLE SEPARATELY OR WITH SQM SOUNDER