

Eye-Sight

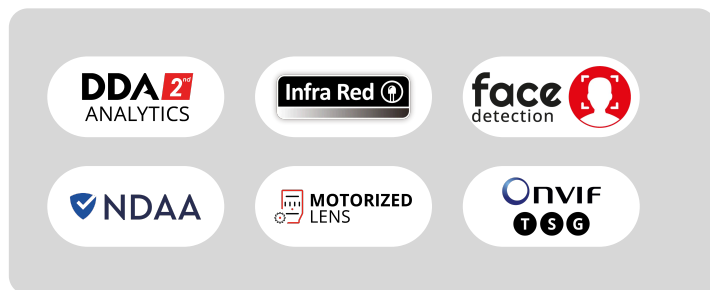
This series is designed for security professionals and offers superior image quality, advanced AI analytics, seamless connectivity, and unparalleled insight and protection, with options and configurations to meet specific needs. The Check Point Quantum IoT Nano and DDA2 Analytics provide detailed attribute analysis and advanced threat prevention.



DAI-320IPEN-MVF-V4

40m IR 2MP DDA2 Analytics Motorized Vari-focal Lens Large Anti-Vandal Dome Camera With Built-in Check Point Protection and Dual System technology

Equipped with a 2.8-12mm motorized lens, this 2MP anti-vandal camera is designed for medium-distance surveillance (up to 40m) in indoor and outdoor scenarios. Developed to monitor high-security areas (such as banks, hotels, and chain stores) and capture crime in the act, the DAI-320IPEN-MVF-V4 features vandal-proof IK10 protection, which makes it extremely hard to sabotage. Fitted with the new "Dual System" technology, the camera can deal with internal anomalies independently, making it more redundant to software-based issues. The camera offers broad possibilities for Analytics, from Face Detection to the outstanding DDA Analytics (Detect, Distinguish, Alert) and the newly developed DDA2, which can perform object recognition, object counting, and investigate specifics such as age, color, gender, vehicle brand and much more. The DAI-320IPEN-MVF-V4 camera is here to end false alarm. Check Point Quantum IoT Nano agent is integrated into this model. It provides an advanced threat prevention layer against the common attack vectors at runtime.



MAIN FEATURES

- DAI-320IPEN-MVF-V4 2MP MVF Dome Camera with IR LED and DDA2 Analytics
- Sensor: 1/2.8" CMOS (16:9)
- Resolution: 1920x1080 25/30FPS (2MP)
- Lens: 2.8-12mm MVF with Auto Focus (106°-30°)
- True Day&Night - ICR
- Illumination: 40m (2 High-Power IR LED)
- Compression: H.265+ / H.264+ / H.265 / H.264 / MJPEG
- Quantum IoT Nano agent by Check Point™
- General Analytics: Camera Tampering
- AI (Object Recognition): DDA Sterile Area, DDA Line Crossing, DDA Object Counting (Line), DDA Object Counting (Area)
- AI (Face Detection): 10 Faces per frame

- AI: Heatmap
- DDA2: Advanced Object Classification
- True WDR (120dB), BLC, HLC, ROI
- SD Card: Event/Schedule Record (Up to 256Gb)
- Alarm in + Alarm out
- Built-in Microphone + Audio input + Audio output
- ONVIF: Profile T/S/G
- Water Proof: IP67, Vandal Proof: IK10
- Weight: ~920g
- Power: DC12V/~550mA / PoE/~8.5W



SPECIFICATIONS

3rd Party Cyber Protection	
General	Quantum IoT Nano agent by Check Point™
Protection Methods	Shell injection protection, File Monitor, Import-Table Protection, Dynamic-Memory Protection
NDAA Compliant	
NDAA Compliant	Yes
Video	
Image Sensor	1/2.8" CMOS (16:9)
Effective Pixels	1920x1080
Electronic Shutter	1/3s ~ 1/10000s
Day & Night	ICR
Min. Illumination	Day: 0.1lux / Night: 0.0038lux (@F1.4, AGC on) 0lux with IR on
Audio	
Audio compression	G.711A/G.711U
Communication	Two-Way Audio
Image	
Image Settings	AWB, AGC Adjustable, Exposure Mode (Auto) Sharpness, Saturation, Brightness & Contrast Adjustable
Image Enhancement	True WDR (120dB), BLC, HLC, ROI
Noise Reduction	3D-DNR
Image Orientation	Mirror/Flip, Corridor Mode
Privacy Zone	Yes
Events and Analytics	
Analytics	General Analytics: Camera Tampering AI (Object Recognition): DDA Sterile Area, DDA Line Crossing, DDA Object Counting (Line), DDA Object Counting (Area) AI (Face Detection): 10 Faces per frame AI: Heatmap DDA2: Advanced Object Classification
Motion Detection	Yes
Compression	

Resolution	2MP / 1MP / D1 (704x576) / QVGA (480x240) / CIF (352x288)
Frame Rate	1-25/30FPS
Video Compression	H.265+/ H.264+ / H.265 / H.264 / MJPEG**
Multi-Stream	Master Stream: 2MP (1920x1080) / 1MP (1280x720) (1~30fps) Substream: 1MP/QVGA/D1/CIF Third Stream: QVGA/D1/CIF (1~30fps)
Bit Rate	64Kbps ~ 4Mbps@H.265 / 64Kbps ~ 6Mbps@H.264
Encode Mode	VBR/CBR
Image Quality	Five levels under VBR; Free adjustment under CBR

Lens	
Lens (Field of View)	2.8-12mm MVF with Auto Focus (106°-30°)
Iris	DC Iris
Lens Mount	Ø14 Mount
Detect	2.8~12mm(W): 43.32m(142.12ft) - 2.8~12mm(T): 144.53m(474.17ft)
Recognize	2.8~12mm(W): 8.66m(28.41ft) - 2.8~12mm(T): 28.91m(94.84ft)
Identify	2.8~12mm(W): 4.33m(14.20ft) - 2.8~12mm(T): 14.45m(47.40ft)

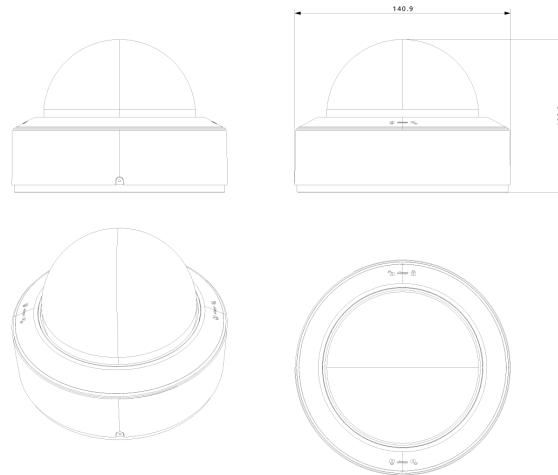
Network	
User Access	Supports simultaneous monitoring of up to 10 users with multi-stream real-time transmission
Network Protocol	IPv4, IPv6, TCP, UDP, DHCP, NTP, DDNS, SNMP, 802.1X, RTSP, RTMP, Multicast, UPnP, Email, FTP, HTTPS, QoS, P2P, HTTP POST, Auto Report
Remote Monitoring	IE Browsing, VMS Software, Provision Cam2 Mobile App
Ethernet	100Mbps
ONVIF	Profile T/S/G

Connectivity	
Network	RJ45 (+PoE)
Audio Connectivity	Built-in Microphone + Audio input + Audio output

Alarm	Alarm in + Alarm out
SD Card	Event/Schedule based Main/Substream recording (Up to 256Gb)
Wiegand	No
Power	DC Socket
Analog Video Output	CVBS out + Technician Port

Housing	
PoE	Yes
Illumination	40m (2 High-Power IR LED)
Power Supply	DC12V/~550mA / PoE/~8.5W
Protection Rate	Water Proof: IP67, Vandal Proof: IK10
Work Environment	-30°C~60°C, 10%~90% Humidity
Bracket	3-Axis Bracket
Dimensions	Ø140.9x100.3mm
Weight (gross)	~920g
Hard Reset Button	Yes

DIMENSIONS



ACCESSORIES

