

## Thermal

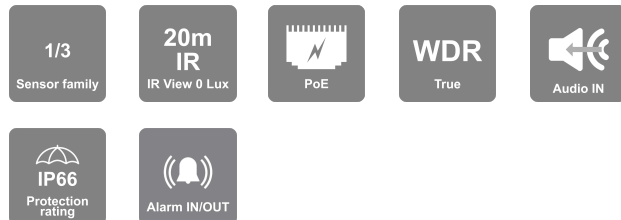
The advantages of cameras in the thermal series are apparent: they don't depend on light conditions, provide constant imaging any time of day, and can penetrate haze and fog. They're your all-weather, all-area, round-the-clock heat detector that can spot fire, monitor temperature, and even catch camouflaged people and vehicles when entering areas considered off-limits.



# BMH-THERMAL-7-V2

## Thermal/Optical Bi-Spectrum Fixed Lens Bullet Camera

Ideal for fire detection, temperature monitoring, and security surveillance, this 5MP Thermal camera can detect, alert and provide **Thermal** complete situational awareness in the most challenging environments. The BMH-THERMAL-7-V2 incorporates an optic lens and a thermal module, allowing operators to monitor large areas in total darkness, glaring light, and adverse weather by combining thermal and visible light images. Equipped with our DDA™ Analytics (Detect, Distinguish, Alert) and active deterrence mechanisms (white strobe light and speaker), the BMH-THERMAL-7-V2 delivers a strong and impactful tool for any installation.



## MAIN FEATURES

- BMH-THERMAL-7-V2
- Optical Sensor: 1/2.7" CMOS
- Optical Resolution: 2592×1944 25/30FPS (5MP)
- Thermal Sensor: 12µm Vanadium oxide uncooled focal plane detector
- Thermal Resolution: 256×192
- Temperature Range: -20° ~ 150° C
- Lens: Optical: 8mm (35°) Thermal: 7mm (25°)
- True Day&Night – ICR
- Illumination: 20m (2 High-Power IR LED) + White Strobe light
- Compression: H.265/H.264/MJPEG
- Quantum IoT Nano agent by Check Point™
- General Analytics: Camera Tampering
- AI (Optical Image): AI (Object Recognition): DDA Sterile Area, DDA Line Crossing, DDA Object Counting (Line), DDA Object Counting (Area), DDA Loitering Detection, DDA Illegal Parking Detection
- AI (Face Detection): 10 Faces per frame
- AI (Thermal): DDA Sterile Area, DDA Line Crossing
- Audio Exception
- True WDR (120dB), BLC, HLC, ROI
- SD Card: Event/Schedule Record (Up to 256Gb)
- Alarm in + Alarm out
- Built-in speaker + Audio input
- ONVIF: Profile M/T/S/G
- Water Proof: IP66
- Weight: ~800g
- Power: DC12V/~650mA / PoE/~9W



<https://provision-isr.com>

## SPECIFICATIONS

Video	
Image Sensor	1/2.7" CMOS
Effective Pixels	2592x1944
Electronic Shutter	1/23s ~ 1/100000s
Day & Night	ICR
Min. Illumination	Day: 0.1lux / Night: 0.03lux (@F1.6, AGC on) 0lux with IR on

Video (Thermal)	
Detector Type	12μm Vanadium oxide uncooled focal plane detector
Temperature Range	-20° ~ 150° C
Spectral Range	8μm-14μm
Thermal Sensitivity (NETD)	≤50mK(@25°C, F#=1.0)
Color Sets	Black hot, White hot, Rainbow, iron oxide red, Lava Fusion image support
Temperature Detection Distance	7.7m (Object size is 0.1m * 0.1m) In Theory: when the size of the object is doubled - the detection distance is also doubled
Fire Detection Distance	24m (Flame size is 0.1m * 0.1m) In Theory: when the size of the flame is doubled - the detection distance is also doubled
DRI Distance Human	Detection: 292m(958ft) Recognition: 73m(240ft) Identification:36m(118ft)
DRI Distance Vehicle	Detection: 894m(2933ft) Recognition: 224m(735ft) Identification:112m(367ft)

NDAA Compliant	
NDAA Compliant	Yes

Lens	
Lens (Field of View)	Optical: 8mm (35°) Thermal: 7mm (25°)
Iris	Fixed Iris
Lens Mount	M12 Mount

Image	
Image Settings	AWB, AGC Adjustable, Exposure Mode (Auto) Sharpness, Saturation, Brightness & Contrast Adjustable, Lens distortion correction

<b>Image Enhancement</b>	True WDR (120dB), BLC, HLC, ROI
<b>Noise Reduction</b>	3D-DNR
<b>Image Orientation</b>	Mirror/Flip
<b>Privacy Zone</b>	Yes

## Housing

<b>Bracket</b>	3-Axis Bracket
<b>Illumination</b>	20m (2 High-Power IR LED) White Strobe light
<b>PoE</b>	Yes
<b>Power Supply</b>	DC12V/~650mA / PoE/~9W
<b>Protection Rate</b>	Water Proof: IP66
<b>Work Environment</b>	-30°C~60°C, 10%~90% Humidity
<b>Dimensions</b>	220.8x79.4x81.2mm
<b>Weight (gross)</b>	~800g
<b>Hard Reset Button</b>	Yes

## Network

<b>Remote Monitoring</b>	IE Browsing, Ossia VMS Software, Provision Cam2 Mobile App
<b>User Access</b>	Supports simultaneous monitoring of up to 10 users with multi-stream real-time transmission
<b>Network Protocol</b>	IPv4, IPv6, TCP, UDP, DHCP, NTP, DDNS, 802.1X, RTSP, Multicast, UPnP, Email, FTP, HTTPS, QoS, HTTP POST, P2P
<b>ONVIF</b>	Profile M/T/S/G
<b>Ethernet</b>	100Mbps

## Events and Analytics

<b>Analytics</b>	General Analytics: Camera Tampering AI (Optical Image): AI (Object Recognition): DDA Sterile Area, DDA Line Crossing, DDA Object Counting (Line), DDA Object Counting (Area), DDA Loitering Detection, DDA Illegal Parking Detection AI (Face Detection): 10 Faces per frame AI (Thermal): DDA Sterile Area, DDA Line Crossing Audio Exception
<b>Motion Detection</b>	Yes

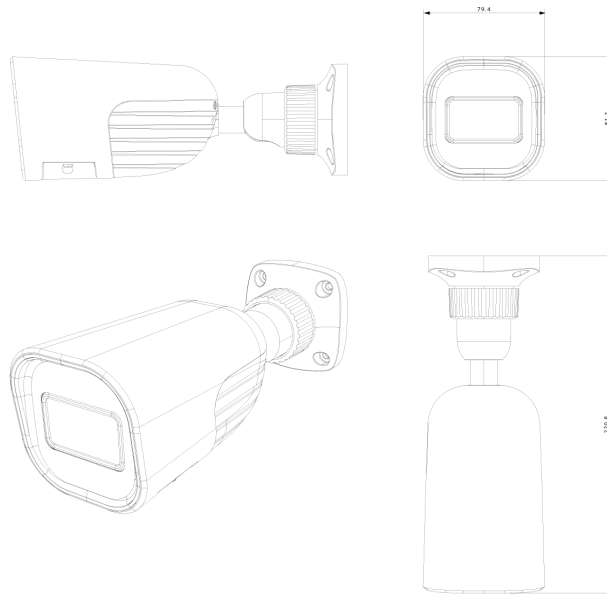
Connectivity	
<b>Network</b>	RJ45 (+PoE)
<b>Audio Connectivity</b>	Built-in speaker + Audio input
<b>Alarm</b>	Alarm in + Alarm out
<b>SD Card</b>	Event/Schedule based Main/Substream recording (Up to 256Gb)
<b>Power</b>	PoE / DC Socket
<b>Analog Video Output</b>	No

Compression	
<b>Video Compression</b>	H.265/H.264/MJPEG
<b>Frame Rate</b>	1-25/30FPS
<b>Resolution</b>	256x192
<b>Multi-Stream</b>	Master Stream: 5MP(2592x1944) / 4MP(2592x1520) / 2K (2560x1440) / 3MP / 2MP / 1MP Substream: 1MP / D1 / CIF / QCIF Third Stream: D1 / CIF / QCIF (1~30fps) Thermal Stream: 1MP / D1 / CIF / QCIF
<b>Bit Rate</b>	64Kbps ~ 11Mbps@H.265 / 64Kbps ~ 11Mbps@H.264
<b>Encode Mode</b>	VBR/CBR
<b>Image Quality</b>	Five levels under VBR; Free adjustment under CBR

Audio	
<b>Audio compression</b>	G.711A/G.711U
<b>Communication</b>	2-Way Audio

3rd Party Cyber Protection	
<b>General</b>	Quantum IoT Nano agent by Check Point™
<b>Protection Methods</b>	Shell injection protection, File Monitor, Import-Table Protection, Dynamic-Memory Protection

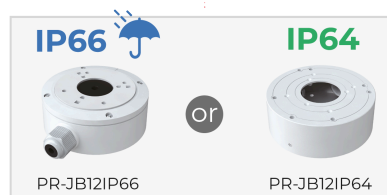
## DIMENSIONS



## ACCESSORIES



+



+

