



# SBO-090GP

Wall Adaptor

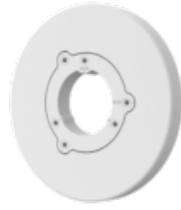


## Key Features

- Color: White
- Material: Core-Aluminum / Cap-Plastic
- Dimensions/ Weight:  $\phi 140 \times 13.2 \text{mm} (\phi 5.52 \times 0.52")$  / 190g(0.42lb)
- Mount Screw size: TR20

# SBO-090GP

Wall Adaptor

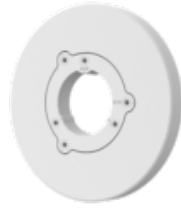


## Specifications

| Mechanical                  |  |
|-----------------------------|--|
| Color                       | White  |
| Material                    | Core : Aluminum / Cap : Plastic  |
| RAL code                    | RAL9003  |
| Product dimensions / weight | ø140x13.2mm(ø5.52x0.52"), 190g(0.42lb)                                   |
| Mount Screw size            | TR20   |
| Supported products          | QNO-C8083R/C9083R, ANO-L6012R/L6022R/L6082R,<br>ANO-L7012R/L7022R/L7082R |

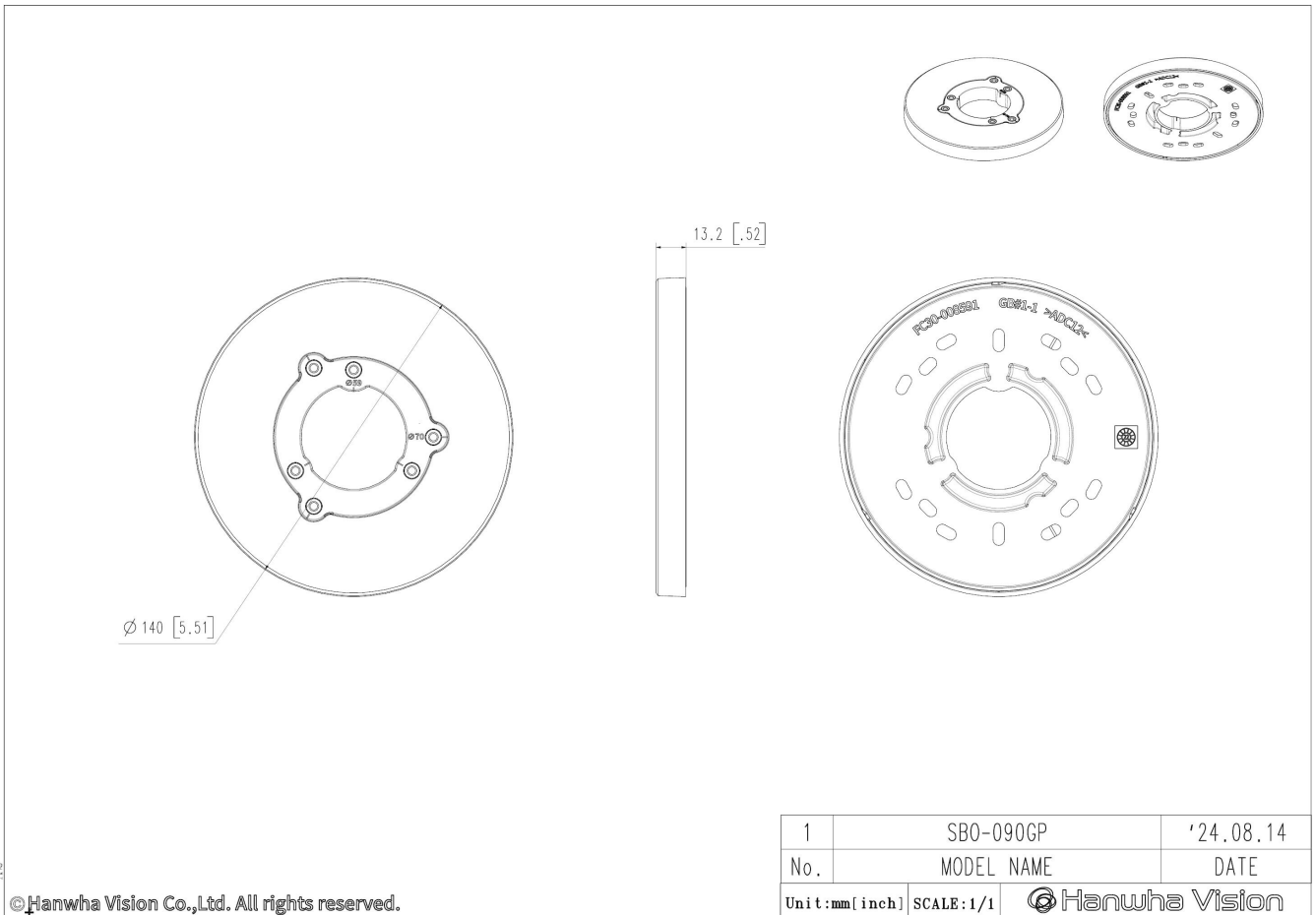
# SBO-090GP

Wall Adaptor



CAD

Unit:mm [inch]



A2

© Hanwha Vision Co.,Ltd. All rights reserved.