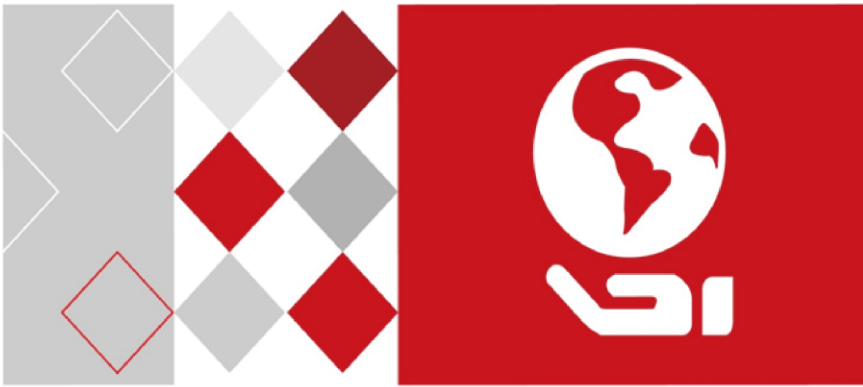


**HIKVISION**



# Video Intercom Door Station

(V Series)

Quick Start Guide

UD02938B

### Quick Start Guide

©2016 Hangzhou Hikvision Digital Technology Co., Ltd.

This quick start guide is intended for users of the models below:

Series	Model
Door Station (V Series)	DS-KV8102-IM
	DS-KV8202-IM
	DS-KV8402-IM
	DS-KV8102-IP
	DS-KV8102-VP

It includes instructions on how to use the Product. The software embodied in the Product is governed by the user license agreement covering that product.

### **About this Manual**

This Manual is subject to domestic and international copyright protection. Hangzhou Hikvision Digital Technology Co., Ltd. (“Hikvision”) reserves all rights to this manual. This manual cannot be reproduced, changed, translated, or distributed, partially or wholly, by any means, without the prior written permission of Hikvision.

### **Trademarks**

**HIKVISION** and other Hikvision marks are the property of Hikvision and are registered trademarks or the subject of applications for the same by Hikvision and/or its affiliates. Other trademarks mentioned in this manual are the properties of their respective owners. No right of license is given to use such trademarks without express permission.

### **Disclaimer**

TO THE MAXIMUM EXTENT PERMITTED BY APPLICABLE LAW, HIKVISION MAKES NO WARRANTIES, EXPRESS OR IMPLIED, INCLUDING WITHOUT LIMITATION THE IMPLIED WARRANTIES OF MERCHANTABILITY AND FITNESS FOR A PARTICULAR PURPOSE, REGARDING THIS MANUAL. HIKVISION DOES NOT WARRANT, GUARANTEE, OR MAKE ANY REPRESENTATIONS REGARDING THE USE OF THE MANUAL, OR THE CORRECTNESS, ACCURACY, OR RELIABILITY OF INFORMATION CONTAINED HEREIN. YOUR USE OF THIS MANUAL AND ANY RELIANCE ON THIS MANUAL SHALL BE WHOLLY AT YOUR OWN RISK AND RESPONSIBILITY.

TO THE MAXIMUM EXTENT PERMITTED BY APPLICABLE LAW, IN NO EVENT WILL HIKVISION, ITS DIRECTORS, OFFICERS, EMPLOYEES, OR AGENTS BE LIABLE TO YOU FOR ANY SPECIAL, CONSEQUENTIAL, INCIDENTAL, OR INDIRECT DAMAGES, INCLUDING, AMONG OTHERS, DAMAGES

## Video Intercom Door Station • Quick Start Guide

---

FOR LOSS OF BUSINESS PROFITS, BUSINESS INTERRUPTION, SECURITY BREACHES, OR LOSS OF DATA OR DOCUMENTATION, IN CONNECTION WITH THE USE OF OR RELIANCE ON THIS MANUAL, EVEN IF HIKVISION HAS BEEN ADVISED OF THE POSSIBILITY OF SUCH DAMAGES.

SOME JURISDICTIONS DO NOT ALLOW THE EXCLUSION OR LIMITATION OF LIABILITY OR CERTAIN DAMAGES, SO SOME OR ALL OF THE ABOVE EXCLUSIONS OR LIMITATIONS MAY NOT APPLY TO YOU.

### **Support**

Should you have any questions, please do not hesitate to contact your local dealer.

## Regulatory Information

### FCC Information

Please take attention that changes or modification not expressly approved by the party responsible for compliance could void the user's authority to operate the equipment.

**FCC compliance:** This equipment has been tested and found to comply with the limits for a Class B digital device, pursuant to part 15 of the FCC Rules. These limits are designed to provide reasonable protection against harmful interference in a residential installation. This equipment generates, uses and can radiate radio frequency energy and, if not installed and used in accordance with the instructions, may cause harmful interference to radio communications. However, there is no guarantee that interference will not occur in a particular installation. If this equipment does cause harmful interference to radio or television reception, which can be determined by turning the equipment off and on, the user is encouraged to try to correct the interference by one or more of the following measures:

- Reorient or relocate the receiving antenna.
- Increase the separation between the equipment and receiver.
- Connect the equipment into an outlet on a circuit different from that to which the receiver is connected.
- Consult the dealer or an experienced radio/TV technician for help.

This equipment should be installed and operated with a minimum distance 20cm between the radiator and your body.

### FCC Conditions

This device complies with part 15 of the FCC Rules. Operation is subject to the following two conditions:

1. This device may not cause harmful interference.
2. This device must accept any interference received, including interference that may cause undesired operation.

### EU Conformity Statement



This product and - if applicable - the supplied accessories too are marked with "CE" and comply therefore with the applicable harmonized European standards listed under the R&TTE Directive 1999/5/EC, the EMC Directive 2004/108/EC, the RoHS Directive 2011/65/EU.



2012/19/EU (WEEE directive): Products marked with this symbol cannot be disposed of as unsorted municipal waste in the European Union. For proper recycling, return this product to your local supplier upon the purchase of equivalent new equipment, or dispose of it at designated collection points. For more information see:

[www.recyclethis.info](http://www.recyclethis.info)



2006/66/EC (battery directive): This product contains a battery that cannot be disposed of as unsorted municipal waste in the European Union. See the product documentation for specific battery information. The battery is marked with this symbol, which may include lettering to indicate cadmium (Cd), lead (Pb), or mercury (Hg). For proper recycling, return the battery to your supplier or to a designated collection point. For more information see: [www.recyclethis.info](http://www.recyclethis.info)

### Industry Canada ICES-003 Compliance

This device meets the CAN ICES-3 (B)/NMB-3(B) standards requirements.

This device complies with Industry Canada licence-exempt RSS standard(s). Operation is subject to the following two conditions:

- (1) this device may not cause interference, and
- (2) this device must accept any interference, including interference that may cause undesired operation of the device.

Le présent appareil est conforme aux CNR d'Industrie Canada applicables aux appareils radioexempts de licence. L'exploitation est autorisée aux deux conditions suivantes :

- (1) l'appareil ne doit pas produire de brouillage, et
- (2) l'utilisateur de l'appareil doit accepter tout brouillage radioélectrique subi, même si le brouillage est susceptible d'en compromettre le fonctionnement.

Under Industry Canada regulations, this radio transmitter may only operate using an antenna of a type and maximum (or lesser) gain approved for the transmitter by Industry Canada. To reduce potential radio interference to other users, the antenna type and its gain should be so chosen that the equivalent isotropically radiated power (e.i.r.p.) is not more than that necessary for successful communication.

Conformément à la réglementation d'Industrie Canada, le présent émetteur radio peut fonctionner avec une antenne d'un type et d'un gain maximal (ou inférieur) approuvé pour l'émetteur par Industrie Canada. Dans le but de réduire les risques de brouillage radioélectrique à l'intention des autres utilisateurs, il faut choisir le type d'antenne et son gain de sorte que la puissance isotrope rayonnée équivalente (p.i.r.e.) ne dépasse pas l'intensité nécessaire à l'établissement d'une communication satisfaisante.



## Safety Instruction

These instructions are intended to ensure that user can use the product correctly to avoid danger or property loss.

The precaution measure is divided into **Warnings** and **Cautions**:

**Warnings:** Neglecting any of the warnings may cause serious injury or death.

**Cautions:** Neglecting any of the cautions may cause injury or equipment damage.

	
<b>Warnings</b> Follow these safeguards to prevent serious injury or death.	<b>Cautions</b> Follow these precautions to prevent potential injury or material damage.



### Warnings

- All the electronic operation should be strictly compliance with the electrical safety regulations, fire prevention regulations and other related regulations in your local region.
- Please use the power adapter, which is provided by normal company. The power consumption cannot be less than the required value.
- Do not connect several devices to one power adapter as adapter overload may cause over-heat or fire hazard.
- Please make sure that the power has been disconnected before you wire, install or dismantle the device.
- When the product is installed on wall or ceiling, the device shall be firmly fixed.
- If smoke, odors or noise rise from the device, turn off the power at once and unplug the power cable, and then please contact the service center.
- If the product does not work properly, please contact your dealer or the nearest service center. Never attempt to disassemble the device yourself. (We shall not assume any responsibility for problems caused by unauthorized repair or maintenance.)



### Cautions

- Do not drop the device or subject it to physical shock, and do not expose it to high electromagnetic radiation. Avoid the equipment installation on vibrations surface or places subject to shock (ignorance can cause equipment damage).
- Do not place the device in extremely hot (refer to the specification of the device for the detailed operating temperature), cold, dusty or damp locations, and do not expose it to high electromagnetic radiation.
- The device cover for indoor use shall be kept from rain and moisture.

## Video Intercom Door Station • Quick Start Guide

---

- Exposing the equipment to direct sun light, low ventilation or heat source such as heater or radiator is forbidden (ignorance can cause fire danger).
- Do not aim the device at the sun or extra bright places. A blooming or smear may occur otherwise (which is not a malfunction however), and affecting the endurance of sensor at the same time.
- Please use the provided glove when open up the device cover, avoid direct contact with the device cover, because the acidic sweat of the fingers may erode the surface coating of the device cover.
- Please use a soft and dry cloth when clean inside and outside surfaces of the device cover, do not use alkaline detergents.
- Please keep all wrappers after unpack them for future use. In case of any failure occurred, you need to return the device to the factory with the original wrapper. Transportation without the original wrapper may result in damage on the device and lead to additional costs.
- Improper use or replacement of the battery may result in hazard of explosion. Replace with the same or equivalent type only. Dispose of used batteries according to the instructions provided by the battery manufacturer.

# Table of Contents

<b>1 Appearance .....</b>	<b>1</b>
1.1 Appearance of DS-KV8X02-IM .....	1
1.2 Appearance of DS-KV8102-XP .....	2
<b>2 Terminals and Interfaces .....</b>	<b>4</b>
<b>3 Installation and Wiring .....</b>	<b>5</b>
3.1 Installation of DS-KV8X02-IM .....	5
3.1.1 Gang Box for DS-KV8X02-IM .....	5
3.1.2 Wall Mounting with Gang Box of DS-KV8X02-IM .....	6
3.2 Installation of DS-KV8102-XP .....	7
3.2.1 Installation Plate for DS-KV8102-XP .....	7
3.2.2 Wall Mounting with Gang Box of DS-KV8102-XP .....	8
3.3 Wiring Description .....	10
3.3.1 Door Lock Wiring .....	10
3.3.2 Door Magnetic Wiring .....	11
3.3.3 Exit Button Wiring .....	11
3.3.4 Alarm Device Input Wiring .....	12
<b>4 Before You Start .....</b>	<b>13</b>
<b>5 Remote Operation via Batch Configuration Tool .....</b>	<b>14</b>
5.1 Activating Device Remotely .....	14
5.2 Editing Network Parameters .....	15
5.3 Adding Device .....	16
5.3.1 Adding Online Devices .....	16
5.3.2 Adding by IP Address .....	17
<b>6 Local Operation .....</b>	<b>19</b>
6.1 Calling Resident .....	19
6.1.1 Calling Resident (DS-KV8X02-IM) .....	19
6.1.2 Calling Resident (DS-KV8102-XP) .....	20
6.2 Issuing Card .....	21
6.3 Unlocking Door .....	22
<b>Appendix .....</b>	<b>23</b>
Installation Notice .....	23
Wiring Cables .....	23



# 1 Appearance

## 1.1 Appearance of DS-KV8X02-IM

For device DS-KV8X02-IM, the number of call buttons varies according to its model. Take the figure of device DS-KV8402-IM as an example.



- For device DS-KV8102-IM, there is only 1 call button.
- For device DS-KV8202-IM, there are 2 call buttons.
- For device DS-KV8402-IM, there are 4 call buttons.

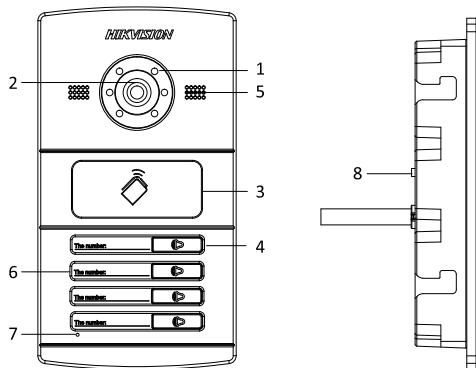


Figure 1-1 Appearance of DS-KV8402-IM

Table 1-1 Description of DS-KV8X02-IM

Models	No.	Description
DS-KV8102-IM DS-KV8202-IM DS-KV8402-IM	1	Low Illumination Supplement Light
	2	Built-in Camera
	3	Card Induction Area
	4	Call Button
	5	Loudspeaker
	6	Room No. (Customized)
	7	Microphone

Models	No.	Description
	8	Tamper Button



- You need not customize the Room No. for device DS-KV8102-IM.
- Default settings of call button: when you press the call button, it calls the resident; and when you hold down the call button, it calls the center.
- You can change the calling mode of the call button via Batch Configuration Tool or iVMS-4200 client software. See *User Manual* for detail steps.

## 1.2 Appearance of DS-KV8102-XP

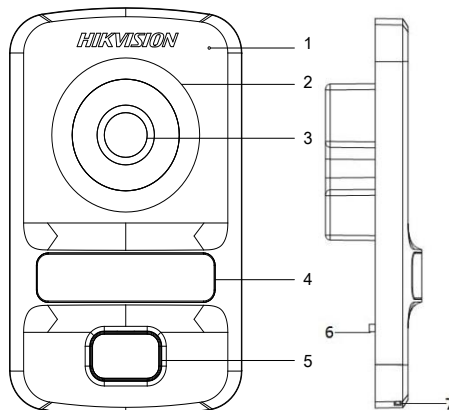


Figure 1-2 Appearance of DS-KV8102-XP

Table 1-2 Description of DS-KV8102-XP

Models	No.	Description
DS-KV8102-IP DS-KV8102-VP	1	Microphone
	2	Low Illumination Supplement Light
	3	Built-in Camera
	4	Card Induction Area
	5	Call Button
	6	Tamper Button

	7	Loudspeaker
--	---	-------------



- Default settings of call button: when you press the call button, it calls the resident; and when you hold down the call button, it calls the center.
- You can change the calling mode of the call button via Batch Configuration Tool or iVMS-4200 client software. See *User Manual* for detail steps.

## 2 Terminals and Interfaces

Please refer to the following figure for terminals and interfaces of door station.

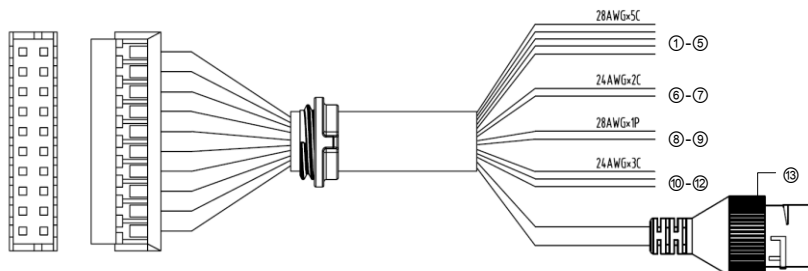


Figure 2-1 Terminals and Interfaces

Table 2-1 Descriptions of Terminals and Interfaces

Terminals and Interfaces			
Name	No.	Color	Description
ALARM IN	1	YELLOW/BLUE	ALARM_1
	2	YELLOW/ORANGE	ALARM_2
	3	YELLOW/GREEN	ALARM_3
	4	YELLOW/BROWN	ALARM_4
	5	YELLOW/BLACK	ALARM_GND
Power Supply	6	RED	DC 12V Power Supply Input
GND	7	BLACK	Grounding
RS485	8	ORANGE	RS485+
	9	YELLOW	RS485-
ALARM OUT	10	PINK	DR_NC
	11	BLUE	DR_NO
	12	BROWN	DR_COM
LAN	13	LAN	Network Interface



- 4 I/O Input terminals (ALARM\_1~ALARM\_4) can be set as door magnetic input or door switch key input, and terminal ALARM\_GND is for grounding connection.
- 1 I/O Output terminal can be enabled for controlling electric lock or disabled.

## 3 Installation and Wiring

### 3.1 Installation of DS-KV8X02-IM

To install the door station onto the wall, you are required to utilize a matched gang box.

#### 3.1.1 Gang Box for DS-KV8X02-IM

Please refer to the following figures for the dimensions of gang box for DS-KV8102-IM/ DS-KV8202-IM/ DS-KV8402-IM door station.

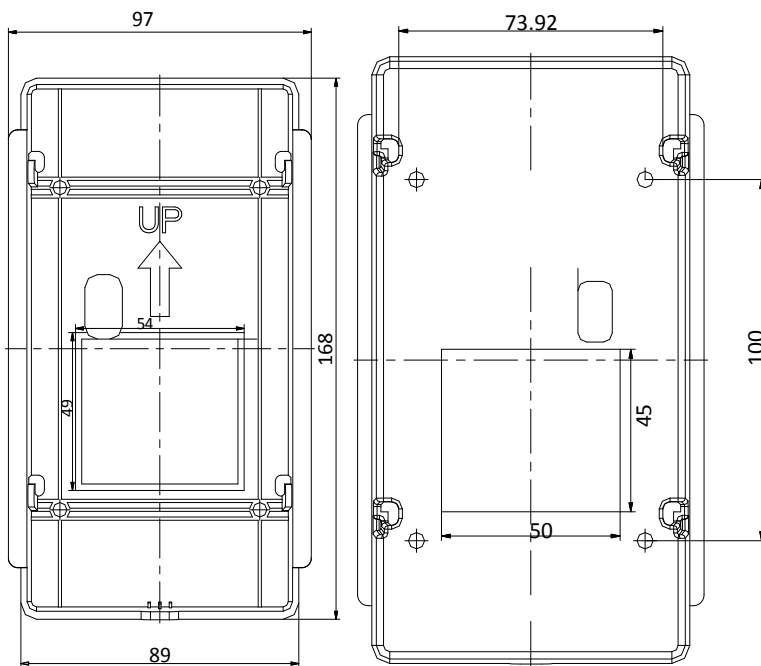


Figure 3-1 Front View & Rear View (DS-KV8X02-IM)



- The dimension of gang box for model DS-KV8102-IM/ DS-KV8202-IM/ DS-KV8402-IM door station is: 89 (width) × 168 (length) × 38 (depth) mm.

- The dimensions above are theoretical. The actual size can be slightly different from the theoretical dimension.

### 3.1.2 Wall Mounting with Gang Box of DS-KV8X02-IM

#### Steps:

1. Take the gang box and screws from the packing box.
2. Chisel a hole in the wall for inserting the gang box. The size of the hole should be 90 (width) × 170 (length) × 38 (depth) mm.
3. Insert the gang box into the hole and fix it with 4 PA4 screws, as shown in the figure below.

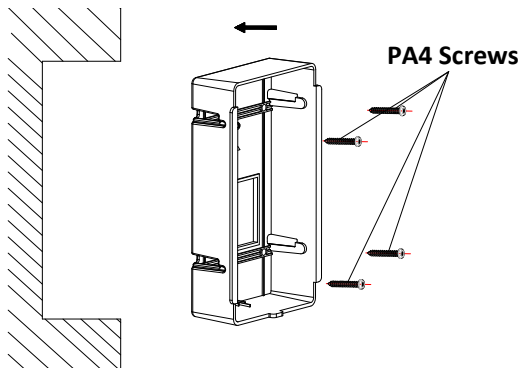


Figure 3-2 Insert the Gang Box (DS-KV8X02-IM)

4. After fixing the gang box, install the door station into the gang box according to the direction of the arrow, as shown in the figure below.

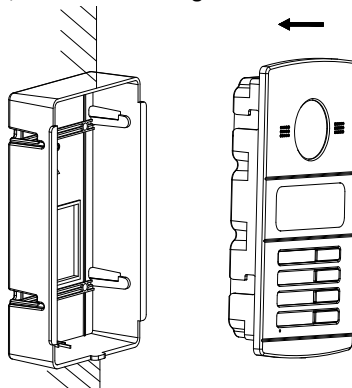


Figure 3-3 Insert the Door Station (DS-KV8X02-IM)

5. After inserting the door station into the gang box, pull the device downwards to hook the door station with the gang box.
6. Secure the door station by inserting the fixing screw according to the direction of the arrow of the figure below.

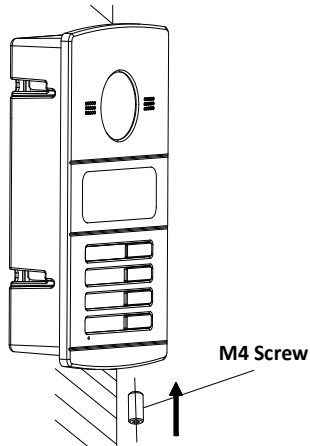


Figure 3-4 Secure the Door Station (DS-KV8X02-IM)

## 3.2 Installation of DS-KV8102-XP

### 3.2.1 Installation Plate for DS-KV8102-XP

To install the DS-KV8102-XP model onto the wall, an installation plate and a gang box are required.

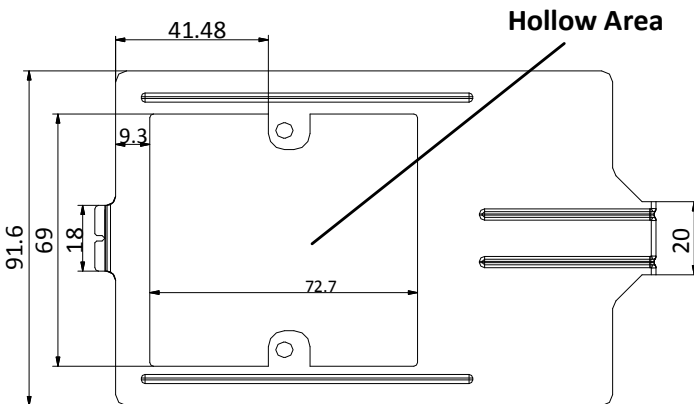


Figure 3-5 Dimensions of Installation Plate (DS-KV8102-XP)



- The dimension of gang box for model DS-KV8102-IP/ DS-KV8102-VP door station is: 75 (width) × 75 (length) × 50 (depth) mm.
- The dimensions above are theoretical. The actual size can be slightly different from the theoretical dimension.

### 3.2.2 Wall Mounting with Gang Box of DS-KV8102-XP

#### Steps:

1. Take the gang box, installation plate and screws from the packing box.
2. Chisel a hole in the wall for inserting the gang box. The size of the hole should be 76 (width) × 76 (length) × 50 (depth) mm.
3. Insert the gang box into the hole, as shown in the figure below.

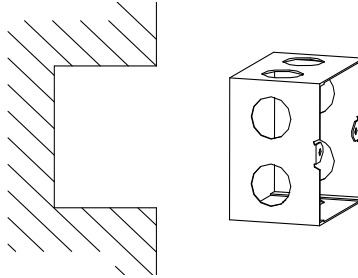


Figure 3-6 Insert the Gang Box (DS-KV8102-XP)

4. Attach the installation plate to the gang box and align the screw holes of the installation plate with the screw holes of the gang box.
5. Insert 2 PA4 screws and a KA4 screw into the screw holes to fix the installation plate onto the gang box. (The KA4 screw is optional.)

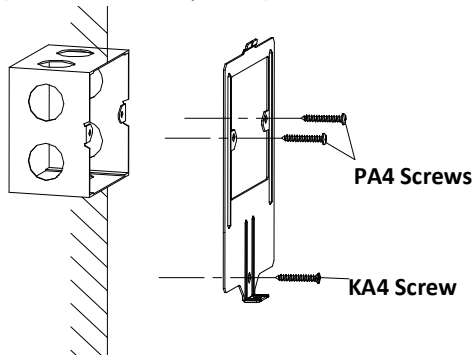


Figure 3-7 Attach the Installation Plate (DS-KV8102-XP)



6. After installing the installation plate, install the door station by inserting the rear component into the hollow area of the installation plate.



While inserting the door station into the installation plate, incline the device by 5~10° , as shown in the figure below.

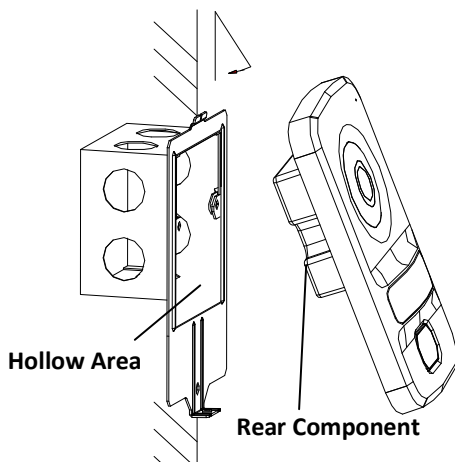


Figure 3-8 Install the Door Station (DS-KV8102-XP)

7. Secure the door station by inserting the fixing screw according to the direction of the arrow of the figure below.

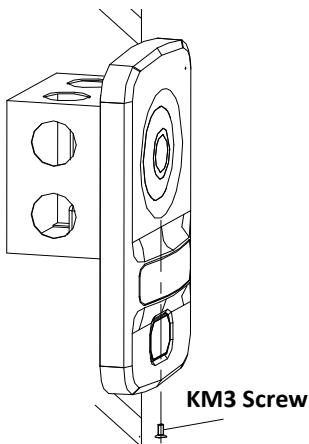


Figure 3-9 Secure the Door Station (DS-KV8102-XP)

## 3.3 Wiring Description

### 3.3.1 Door Lock Wiring

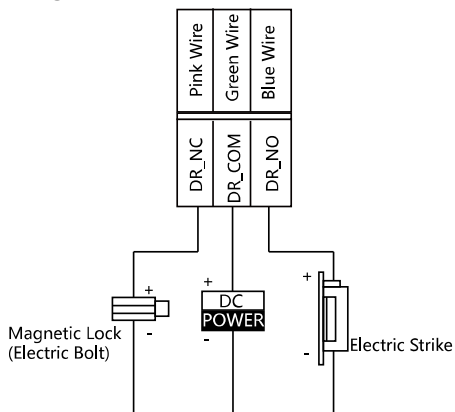


Figure 3-10 Door Lock Wiring



- Terminal DR\_NC/DR\_COM is set as default for connecting magnetic lock/electric bolt; terminal DR\_NO/DR\_COM is set as default for connecting electric strike.
- To connect electric lock, it is required to set the output of terminal DR\_NC/DR\_COM/DR\_NO to be electric lock with Batch Configuration Tool or iVMS-4200 client software.

### 3.3.2 Door Magnetic Wiring

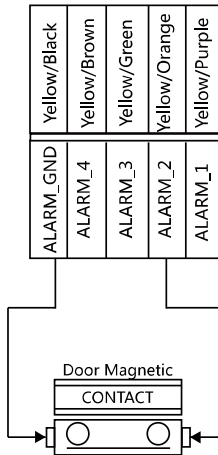


Figure 3-11 Door Magnetic Wiring



To connect door magnetic, it is required to set the input of one alarm in terminal (ALARM\_1, ALARM\_2, ALARM\_3, or ALARM\_4) to be door magnetic with Batch Configuration Tool or iVMS-4200 client software.

### 3.3.3 Exit Button Wiring

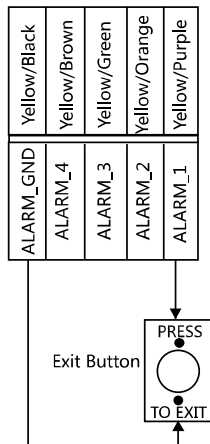


Figure 3-12 Exit Button Wiring



To connect exit button, it is required to set the input of one alarm in terminal (ALARM\_1, ALARM\_2, ALARM\_3, or ALARM\_4) to be exit button with Batch Configuration Tool or iVMS-4200 client software.

### 3.3.4 Alarm Device Input Wiring

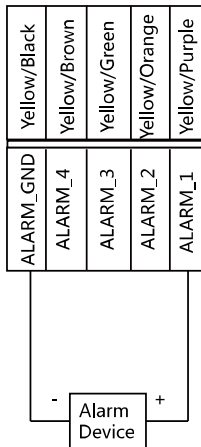


Figure 3-13 Alarm Device Input Wiring



To connect other alarm devices, it is required to set the input of one alarm in terminal (ALARM\_1, ALARM\_2, ALARM\_3, or ALARM\_4) to be custom with Batch Configuration Tool or iVMS-4200 client software.

## 4 Before You Start

---

For the first time use of the device, you are required to activate the device. You can activate the device and set the device password via internet with Batch Configuration Tool, or with iVMS-4200 client software.



To activate the device with Batch Configuration Tool or iVMS-4200, refer to Chapter 5.

Please refer to 5.1 for creating the device password.

# 5 Remote Operation via Batch Configuration Tool

## 5.1 Activating Device Remotely

**Purpose:**

You are required to activate the device first by setting a strong password for it before you can use the device.

Activation via Batch Configuration Tool, and Activation via iVMS-4200 are supported. Here take activation via Batch Configuration Tool as example to introduce the device activation. Please refer to the user manual for the activation via iVMS-4200.

**Steps:**

1. Run the Batch Configuration Tool.

Index	Device Type	IP Address	Port	Software Version	Serial No.	Security Status	Added
1	XX-XXXX-XX	10.16.2.77	8000	Vx.x.x build xxxxxx	XX-XXXXX-XXXXXXXXXXXXXXXXXXXXXXXXXXXX	Activated	Yes
2	XX-XXXX-XX	10.16.2.103	8000	Vx.x.x build xxxxxx	XX-XXXXX-XXXXXXXXXXXXXXXXXXXXXXXXXXXX	Activated	No
3	XX-XXXX-XX	10.16.2.114	8000	Vx.x.x build xxxxxx	XX-XXXXX-XXXXXXXXXXXXXXXXXXXXXXXXXXXX	Activated	No
4	XX-XXXX-XX	10.16.2.222	8000	Vx.x.x build xxxxxx	XX-XXXXX-XXXXXXXXXXXXXXXXXXXXXXXXXXXX	Activated	No
5	XX-XXXX-XX	192.0.0.65	8000	Vx.x.x build xxxxxx	XX-XXXXX-XXXXXXXXXXXXXXXXXXXXXXXXXXXX	Inactive	No

Figure 5-1 Selecting Inactive Device

2. Select an inactivated device and click the **Activate** button.

Figure 5-2 Activation

3. Create a password, and confirm the password.

**STRONG PASSWORD RECOMMENDED**– We highly recommend you create a strong password of your own choosing (Using a minimum of 8 characters, including at least three of the following categories: upper case letters, lower case letters, numbers, and special characters.) in order to increase the security of your product. And we recommend you reset your password regularly, especially in the high security system, resetting the password monthly or weekly can better protect your product.



4. Click the **OK** button to activate the device.



- When the device is not activated, the basic operation and remote operation of device cannot be performed.
- You can hold the **Ctrl** or **Shift** key to select multiple devices in the online devices, and click the **Activate** button to activate devices in batch.

## 5.2 Editing Network Parameters

### Purpose:

To operate and configure the device via LAN (Local Area Network), you need connect the device in the same subnet with you PC. You can edit network parameters via batch configuration tool, and iVMS-4200 software. Here take editing network parameters via batch configuration tool as example.

### Steps:

1. Select an online activated device and click the **Edit NET Parameters** button.

Online Devices: 5							
<span>Edit NET Parameters</span> <span>Reset Password</span> <span>Activate</span>							
Index	Device Type	IP Address	Port	Software Version	Serial No.	Security Status	Added
1	XX-XXXX-XX	10.16.2.77	8000	V1.0.0 build xxxxxx	XX-XXXX-XXXXXXXXXXXXXXXXXXXXXXXXXX	Activated	Yes
2	XX-XXXX-XX	10.16.2.114	8000	V1.0.0 build xxxxxx	XX-XXXX-XXXXXXXXXXXXXXXXXXXXXXXXXX	Activated	No
3	XX-XXXX-XX	10.16.2.103	8000	V1.0.0 build xxxxxx	XX-XXXX-XXXXXXXXXXXXXXXXXXXXXXXXXX	Activated	No
4	XX-XXXX-XX	192.0.0.85	8000	V1.0.0 build xxxxxx	XX-XXXX-XXXXXXXXXXXXXXXXXXXXXXXXXX	Activated	No
5	XX-XXXX-XX	10.16.2.222	8000	V1.0.0 build xxxxxx	XX-XXXX-XXXXXXXXXXXXXXXXXXXXXXXXXX	Activated	No

Figure 5-3 Clicking Edit NET Parameters Button

2. Change the device IP address and gateway address to the same subnet with your computer.
3. Enter the password and click the **OK** button to activate the network parameters modification.

**Edit NET Parameters**

IP Address:

Subnet Mask:

Gateway Address:

Port No.:

Password:

Enable DHCP

Figure 5-4 Editing Network Parameters



- The default port No. is 8000.
- After editing the network parameters of device, you should add the devices to the device list again.

## 5.3 Adding Device

For batch configuration tool and iVMS-4200 software, you should add device to the software so as to configure the device remotely.

3 ways for adding the device are supported: adding active online devices within your subnet, adding device by IP address, and adding device by IP segment. Here take adding online device and adding device by IP address via batch configuration tool as example.

### 5.3.1 Adding Online Devices

**Steps:**

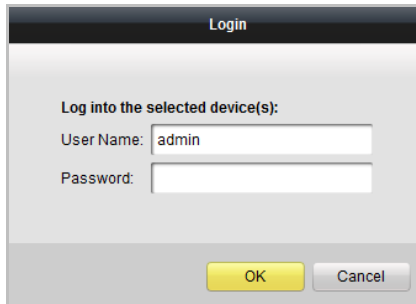
1. Select an active online device or hold the **Ctrl** or **Shift** key to select multiple devices in the online devices list.

Online Devices: 5 <span style="float: right;"> <input type="button" value="Edit NET Parameters"/> <input type="button" value="Reset Password"/> <input type="button" value="Activate"/> </span>							
Index	Device Type	IP Address	Port	Software Version	Serial No.	Security Status	Added
1	XX-XXXX-XX	10.16.2.77	8000	Vx.x.x build xxxxxx	XX-XXXX-XXXXXXXXXXXXXXXXXXXXXX	Activated	Yes
2	XX-XXXX-XX	10.16.2.114	8000	Vx.x.x build xxxxxx	XX-XXXX-XXXXXXXXXXXXXXXXXXXXXX	Activated	No
3	XX-XXXX-XX	10.16.2.103	8000	Vx.x.x build xxxxxx	XX-XXXX-XXXXXXXXXXXXXXXXXXXXXX	Activated	No
4	XX-XXXX-XX	10.16.2.88	8000	Vx.x.x build xxxxxx	XX-XXXX-XXXXXXXXXXXXXXXXXXXXXX	Activated	No
5	XX-XXXX-XX	10.16.2.222	8000	Vx.x.x build xxxxxx	XX-XXXX-XXXXXXXXXXXXXXXXXXXXXX	Activated	No

Figure 5-5 Online Devices Interfaces

2. Click the button to pop up the login dialog box.





The image shows a 'Login' dialog box with a title bar. Below the title bar, it says 'Log into the selected device(s):'. There are two input fields: 'User Name:' with the text 'admin' entered, and 'Password:' which is empty. At the bottom, there are two buttons: 'OK' (highlighted in yellow) and 'Cancel'.

Figure 5-6 Login Dialog Box

3. Enter the user name and password.
4. Click the **OK** button to save the settings.



- Only devices successfully logged in will be added to the device list for configuration.
- If you add devices in batch, please make sure selected devices have the same user name and password.

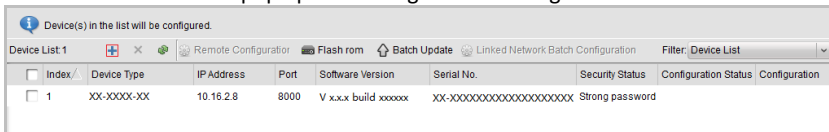
### 5.3.2 Adding by IP Address

#### **Purpose:**

You can add the device by entering IP address.

#### **Steps:**

1. Click the  button to pop up the adding devices dialog box.

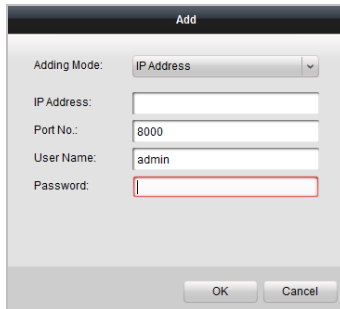


The screenshot shows a window titled 'Device(s) in the list will be configured.' with a toolbar containing 'Remote Configuration', 'Flash rom', 'Batch Update', and 'Linked Network Batch Configuration'. A dropdown menu is open showing 'Filter: Device List'. Below is a table with columns: Index, Device Type, IP Address, Port, Software Version, Serial No., Security Status, Configuration Status, and Configuration.

Index	Device Type	IP Address	Port	Software Version	Serial No.	Security Status	Configuration Status	Configuration
1	XX-XXXX-XX	10.16.2.8	8000	V.X.X.X build XXXXXX	XX-XXXXXXXXXXXXXXXXXXXX	Strong password		

Figure 5-7 Adding Button

2. Select IP Address in the adding mode drop-down list.
3. Enter the IP address, and set the port No., user name and password of the device.



The screenshot shows a dialog box titled "Add" with the following fields and controls:

- Adding Mode:** A dropdown menu currently set to "IP Address".
- IP Address:** An empty text input field.
- Port No.:** A text input field containing the value "8000".
- User Name:** A text input field containing the value "admin".
- Password:** An empty password input field with a red border.
- Buttons:** "OK" and "Cancel" buttons at the bottom right.

Figure 5-8 Adding by IP Address

4. Click the **OK** button to add the device to the device list.



- You cannot add the device(s) to the device list if the user name and password are not identical.
- When you add devices by IP Address, or IP Segment, the devices should be online devices.

## 6 Local Operation

### 6.1 Calling Resident

#### 6.1.1 Calling Resident (DS-KV8X02-IM)

You can call the resident by pressing the call button. For device DS-KV8X02-IM, the number of call buttons varies according to its model.

Take the figure of device DS-KV8402-IM as an example.



- For device DS-KV8102-IM, there is only 1 call button.
- For device DS-KV8202-IM, there are 2 call buttons.
- For device DS-KV8402-IM, there are 4 call buttons.
- Default settings of call button: when you press the call button, it calls the resident; and when you hold down the call button, it calls the center.
- You can change the calling mode of the call button via Batch Configuration Tool or iVMS-4200 client software. See *User Manual* for detail steps.

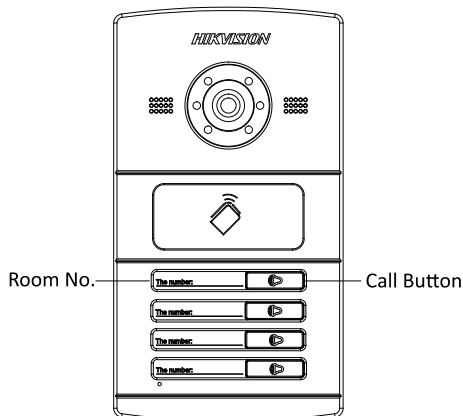


Figure 6-1 Call Button of DS-KV8402-IM

#### Steps:

1. Press the corresponding call button of the resident.
2. The resident can receive/decline the video call, unlock the door, call the elevator, etc.



- When the video intercom between you and the resident is realized, you can speak to the resident, and the live view of door station will be displayed on the connected indoor station.
- When live view of door station is displayed on other devices or door station is calling resident, the door station will detect the brightness of video. When the brightness is lower than the expected threshold, the supplement light will be enabled.
- When the supplement light is enabled, the backlight of key will be auto-enabled, otherwise, the door station will detect the brightness of live view and enable the backlight of key when the brightness of live view is lower than expected threshold.

### 6.1.2 Calling Resident (DS-KV8102-XP)

You can call the resident by pressing the call button. For device DS-KV8102-IP/VP, there is only 1 call button.



- Default settings of call button: when you press the call button, it calls the resident; and when you hold down the call button, it calls the center.
- You can change the calling mode of the call button via Batch Configuration Tool or iVMS-4200 client software. See *User Manual* for detail steps.

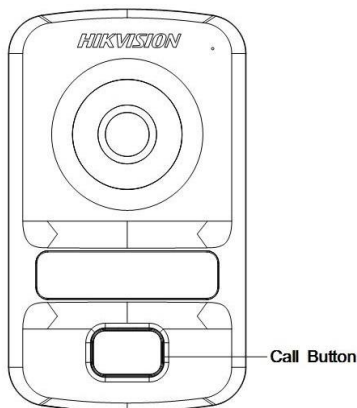


Figure 6-2 Call Button of DS-KV8102-XP

#### **Steps:**

1. Press the corresponding call button of the resident.
2. The resident can receive/decline the video call, unlock the door, call the elevator, etc.



- When the video intercom between you and the resident is realized, you can speak to the resident, and the live view of door station will be displayed on the connected indoor station.
- When live view of door station is displayed on other devices or door station is calling resident, the door station will detect the brightness of video. When the brightness is lower than the expected threshold, the supplement light will be enabled.
- When the supplement light is enabled, the backlight of key will be auto-enabled, otherwise, the door station will detect the brightness of live view and enable the backlight of key when the brightness of live view is lower than expected threshold.

## 6.2 Issuing Card

### ***Purpose:***

You can assign the card to the door station or doorphone by issuing cards. You can issue cards by swiping the main card with the door station, or issue the card with iVMS-4200 client software. For more information about issuing card by iVMS-4200, please refer to the user manual in the disk.

### ***Steps:***

1. Swipe the main card on the card induction area to enter the card issuing mode.
2. Hear a voice prompt of the device: Issuing card started.
3. Swipe the unauthorized sub card in turn on the card induction area.
4. Hear a voice prompt of the device (Issuing card finished.) after issuing each card successfully.



- Only Mifare card supported, and Mifare card with non-standard shape is recommended.
- No more than 256 cards can be issued to and managed by V series door station. A voice prompt (Card amount exceeds limit.) can be heard when the issued card amount exceeds the upper limit.
- Swipe the main card again or perform no operation for more than 10s, the device will exit the card issuing mode automatically.
- After issuing cards with client software, the local card issuing function will be disabled.
- For each main door station, at most 8 sub door stations can be added.

## 6.3 Unlocking Door

***Purpose:***

After issuing cards, you can unlock the door by swiping the issued card.

***Step:***

1. Swipe the card on the card induction area.
2. Hear a voice prompt of the device: Door is open.



You cannot unlock the door by swiping the main card.

## Appendix

### Installation Notice

While installing the door station, please make sure that the distance between any two devices is far as possible to avoid the howling and echo. The distance between two devices is recommended to be longer than 10 meters.



Devices here refer to indoor station, door station, doorphone and master station.

### Wiring Cables

Cable	Specification
Power Cord of Door Station	RVV 2*1.0
Network Cable of Door Station	UTP-five Categories
Door Lock Wiring (With Door Magnetic)	RVV 4*1.0
Door Lock Wiring (Without Door Magnetic)	RVV 2*1.0
Exit Button Wiring	RVV 2*0.5



First Choice for Security Professionals