

DS-KV8X13-M

Video Intercom Villa Door Station UD16093B-B



ENGLISH

Diagram References

1 Appearance

- ① Microphone
- ② Indicator
- ③ Camera
- ④ Loudspeaker
- ⑤ Button
- ⑥ Card Reader Area
- ⑦ IR Light
- ⑧ Micro SD Card Slot & Debugging Port
- ⑨ LAN
- ⑩ Terminals

Note: Debugging port is used for debugging only.

Indicator Description

Unlock : Green Call: Orange Communicate: White

2 Terminal and Wiring

NC: Door Lock Relay Output (NC) NO: Door Lock Relay Output (NO) COM: Common Interface
 AIN1: For the access of Door Contact AIN3: For the access of Exit Button
 AIN2 & AIN4: Reserved
 485-: RS-485 Interface (Reserved) 485+: RS-485 Interface (Reserved)
 12 VDC IN: Power Supply Input GND: Grounding
 LAN: Network Interface

3 Installation Accessory

- ① Mounting Template
- ② Mounting Plate

Note: The dimension of the mounting plate is 174mm x 83.66mm x 18mm.

4 Installation

- Note: Video intercom villa door station supports flush mounting and surface mounting.
 Before you begin:
- Make sure all related equipments are power-off during the installation.
 - Tools that you need to prepare for installation: Drill (ø2.846) and gradienter.
 - Purchase the protective shield before installation.

★ Surface Mounting without Protective Shield

1. Stick the mounting template on the wall. Drill screw holes according to the mounting template. Remove the template from the wall.
2. Secure the mounting plate on the wall with 4 supplied screws according to the screw holes.
3. Secure the device on the mounting plate with 4 supplied set screws.
4. Fix the cover onto the device with the screw.

★ Surface Mounting with Protective Shield

1. Stick the mounting template on the wall. Drill screw holes according to the mounting template. Remove the template from the wall.
2. Align the protective shield with mounting template.
3. Secure the mounting plate on the wall with 4 supplied screws according to the screw holes.
4. Secure the device on the mounting plate with 4 supplied set screws.
5. Fix the cover onto the device with the screw.

★ Flush Mounting without Protective Shield

1. Stick the mounting template on the wall. Drill the hole according to the mounting template. Remove the template from the wall.
- Note: The suggested size of hole is 175mm x 84mm x 19mm.
2. Install the gang box into the hole with 4 screws.
3. Insert the device to the gang box. Secure the device with 4 supplied screws.
4. Fix the cover onto the device with the screw.

★ Flush Mounting with Protective Shield

1. Stick the mounting template on the wall. Drill the hole according to the mounting template. Remove the template from the wall.
- Note: The suggested size of hole is 175mm x 84mm x 19mm.
2. Install the gang box into the hole with 4 screws.
3. Align the protective shield with gang box.
4. Insert the device to the gang box. Secure the device with 4 supplied screws.
5. Fix the cover onto the device with the screw.

5 Configuration via Web

1 Activate Device via Web

You are required to activate the device first by setting a strong password for it before you can use the device.

Default parameters of door station are as follows:

- Default IP Address: 192.0.0.65.
- Default Port No.: 8000.
- Default User Name: admin.

1. Power on the device, and connect the device to the network.
2. Enter the IP address into the address bar of the web browser, and click Enter to enter the activation page.

Note: The computer and the device should belong to the same subnet.

3. Create and enter a password into the password field.
4. Confirm the password.
5. Click OK to activate the device.

Note: When the device is not activated, the basic operation and remote configuration of device cannot be performed.

2 Access to the Device by Web Browsers

1. In the browser address bar, enter the IP address of the device, and press the Enter key to enter the login page.
2. Enter the user name and password and click Login.

3 Communicate with Indoor Station

Note: Configure the room No. of the indoor station which is linked to the villa door station. Refer to Video Intercom Indoor Station User Manual for details.

1. Click Settings → Intercom → Press Button to Call to enter the settings page.
2. Set the parameters.

- Edit call No. for every button.
- Check Call Management Center to set the button calling center.

Note: If you check Call Management Center and set the call No. as well, call management center has higher privilege than call No.

3. Press button to call indoor station.

4 Issue Card

1. Click Settings → Access Control and Elevator Control to enter the corresponding settings page.
2. Click Issue Card. Present the card on the card reading area.
3. When issuing finished, the windows pop up on the settings page.

- Only Mifare card supported, and Mifare card with non-standard shape is recommended.
- Up to 256 cards can be issued and managed by V series door station. A voice prompt (No more cards can be issued.) can be heard when the issued card amount exceeds the upper limit.

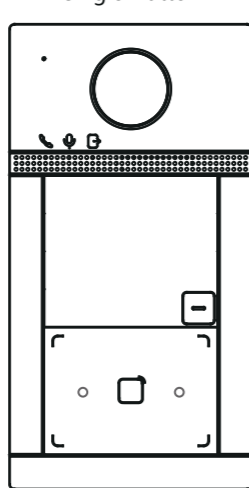
5 Unlock Door

After issuing cards, you can unlock the door by presenting the issued card.

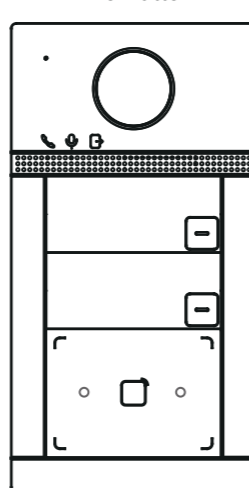
★ Refer to Video Intercom Villa Door Station User Manual (scan the QR code) for details.

1

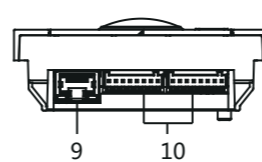
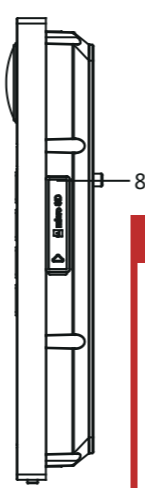
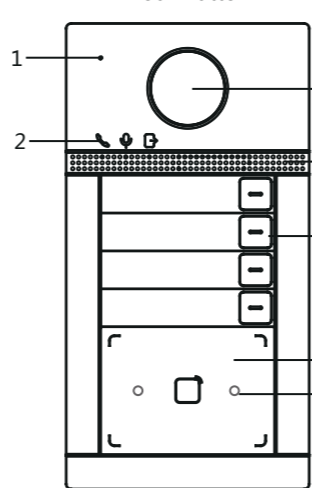
Single-Button



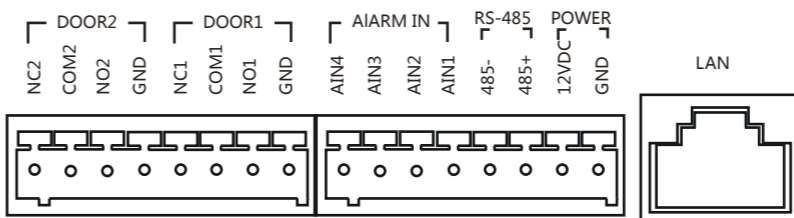
Two-Button



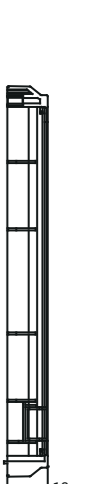
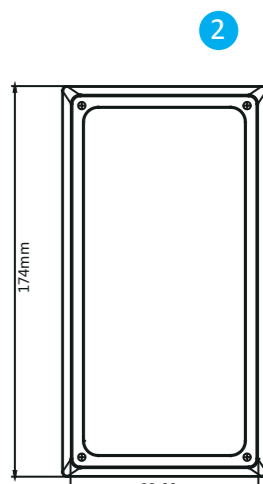
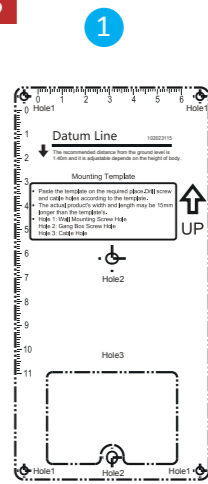
Four-Button



2

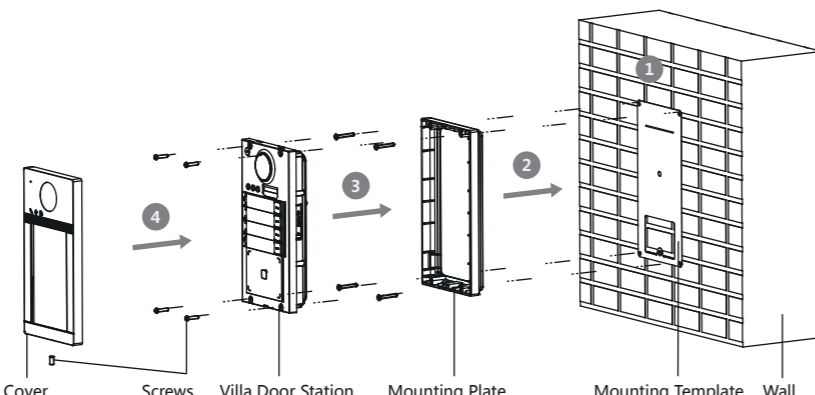


3

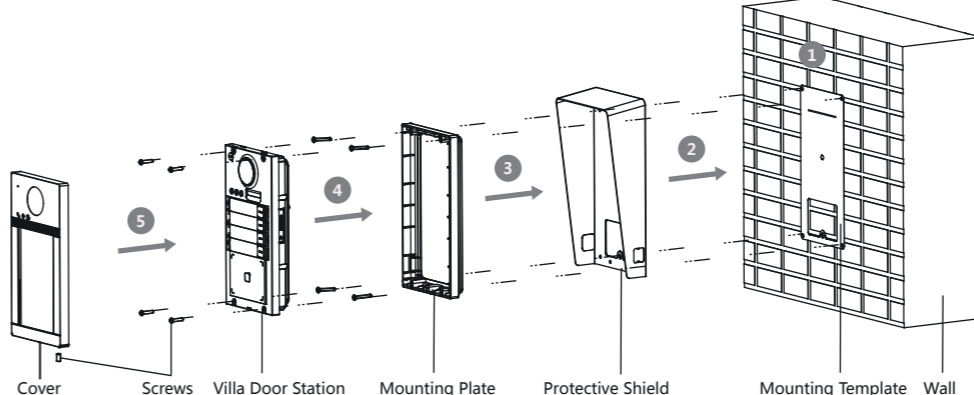


4

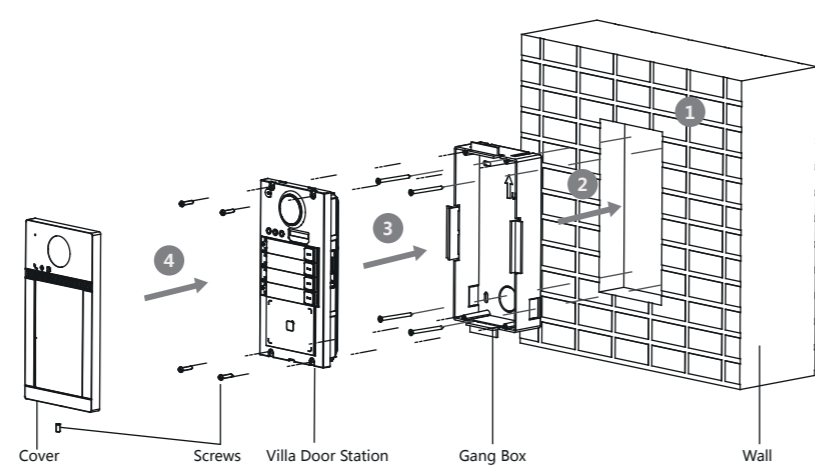
★ Surface Mounting without Protective Shield



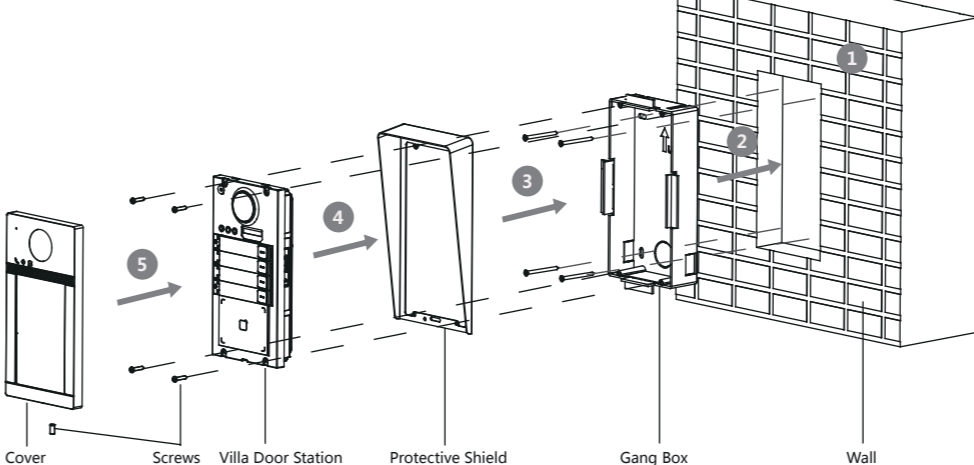
★ Surface Mounting with Protective Shield



★ Flush Mounting without Protective Shield



★ Flush Mounting with Protective Shield



Product Information

©2019 Hangzhou Hikvision Digital Technology Co., Ltd. It includes instructions on how to use the Product. The software embodied in the Product is governed by the user license agreement covering that Product.
 About This Manual
 This Manual is subject to domestic and international copyright protection. Hangzhou Hikvision Digital Technology Co., Ltd. ("Hikvision") reserves all rights to this manual. This manual cannot be reproduced, changed, translated, or distributed, partially or wholly, by any means, without the prior written permission of Hikvision.
 Trademarks
 HIKVISION and other Hikvision marks are the property of Hikvision and are registered trademarks or the subject of applications for the same by Hikvision and/or its affiliates. Other trademarks mentioned in this manual are the properties of their respective owners. No right of license is given to use such trademarks without express permission.
 Legal Disclaimer
 TO THE MAXIMUM EXTENT PERMITTED BY APPLICABLE LAW, THE PRODUCT DESCRIBED, WITH ITS HARDWARE, SOFTWARE AND FIRMWARE, IS PROVIDED "AS IS", WITH ALL FAULTS AND ERRORS, AND HIKVISION MAKES NO WARRANTIES, EXPRESS OR IMPLIED, INCLUDING WITHOUT LIMITATION, MERCHANTABILITY, SATISFACTORY QUALITY, FITNESS FOR A PARTICULAR PURPOSE, AND NON-INFRINGEMENT OF THIRD PARTY. IN NO EVENT WILL HIKVISION, ITS DIRECTORS, OFFICERS, EMPLOYEES, OR AGENTS BE LIABLE TO YOU FOR ANY SPECIAL, CONSEQUENTIAL, INCIDENTAL, OR INDIRECT DAMAGES, INCLUDING, AMONG OTHERS, DAMAGES FOR LOSS OF BUSINESS PROFITS, BUSINESS INTERRUPTION, OR LOSS OF DATA OR DOCUMENTATION, IN CONNECTION WITH THE USE OF THIS PRODUCT, EVEN IF HIKVISION HAS BEEN ADVISED OF THE POSSIBILITY OF SUCH DAMAGES.
 REGARDING TO THE PRODUCT WITH INTERNET ACCESS, THE USE OF PRODUCT SHALL BE WHOLLY AT YOUR OWN RISKS. HIKVISION SHALL NOT TAKE ANY RESPONSIBILITIES FOR ABNORMAL OPERATION, PRIVACY LEAKAGE OR OTHER DAMAGES RESULTING FROM CYBER ATTACK, HACKER ATTACK, VIRUS INSPECTION, OR OTHER INTERNET SECURITY RISKS; HOWEVER, HIKVISION WILL PROVIDE TIMELY TECHNICAL SUPPORT IF REQUIRED.
 SURVEILLANCE LAWS VARY BY JURISDICTION. PLEASE CHECK ALL RELEVANT LAWS IN YOUR JURISDICTION BEFORE USING THIS PRODUCT IN ORDER TO ENSURE THAT YOUR USE CONFORMS THE APPLICABLE LAW. HIKVISION SHALL NOT BE LIABLE IN THE EVENT THAT THIS PRODUCT IS USED WITH ILLEGITIMATE PURPOSES.
 IN THE EVENT OF ANY CONFLICTS BETWEEN THIS MANUAL AND THE APPLICABLE LAW, THE LATER PREVAILS.
 Data Protection
 During the use of device, personal data will be collected, stored and processed. To protect data, the development of hikvision devices incorporates privacy by design principles. For example, for device with facial recognition features, biometrics data is stored in your device with encryption method; for fingerprint device, only fingerprint template will be saved, which is impossible to reconstruct a fingerprint image.
 As data controller, you are advised to collect, store, process and transfer data in accordance with the applicable data protection laws and regulations, including without limitation, conducting security controls to safeguard personal data, such as, implementing reasonable administrative and physical security controls, conduct periodic reviews and assessments of the effectiveness of your security controls.

FCC Information
 Please take attention that changes or modification not expressly approved by the party responsible for compliance could void the user's authority to operate the equipment.
FCC compliance: This equipment has been tested and found to comply with the limits for a Class B digital device, pursuant to part 15 of the FCC Rules. These limits are designed to provide reasonable protection against harmful interference in a residential installation. This equipment generates, uses and can radiate radio frequency energy and, if not installed and used in accordance with the instructions, may cause harmful interference to radio communications. However, there is no guarantee that interference will not occur in a particular installation. If this equipment does cause harmful interference to radio or television reception, which can be determined by turning the equipment off and on, the user is encouraged to try to correct the interference by one or more of the following measures:
 —Reorient or relocate the receiving antenna.
 —Increase the separation between the equipment and receiver.
 —Connect the equipment into an outlet on a circuit different from that to which the receiver is connected.
 —Consult the dealer or an experienced radio/TV technician for help.
 This equipment should be installed and operated with a minimum distance 20cm between the radiator and your body.

FCC Conditions
 This device complies with part 15 of the FCC Rules. Operation is subject to the following two conditions:
 1. This device may not cause harmful interference.
 2. This device must accept any interference received, including interference that may cause undesired operation.

EU Conformity Statement

 This product and - if applicable - the supplied accessories too are marked with "CE" and comply therefore with the applicable harmonized European standards listed under the RE Directive 2014/53/EU, the EMC Directive 2014/30/EU, the RoHS Directive 2011/65/EU.

2006/66/EC (battery directive): This product contains a battery that cannot be disposed of as unsorted municipal waste in the European Union. See the product documentation for specific battery information. The battery is marked with this symbol, which may include lettering to indicate cadmium (Cd), lead (Pb), or mercury (Hg). For proper recycling, return the battery to your supplier or to a designated collection point. For more information see: www.recyclethis.info

2012/19/EU (WEEE directive): Products marked with this symbol cannot be disposed of as unsorted municipal waste in the European Union. For proper recycling, return this product to your local supplier upon the purchase of equivalent new equipment, or dispose of it at designated collection points. For more information see: www.recyclethis.info

IC statement
 This device complies with Industry Canada licence-exempt RSS standard(s). Operation is subject to the following two conditions:
 (1) This device may not cause interference, and
 (2) This device must accept any interference, including interference that may cause undesired operation of the device.
 Le présent appareil est conforme aux CNR d'Industrie Canada applicables aux appareils radio exempts de licence. L'exploitation est autorisée aux deux conditions suivantes:
 (1) L'appareil ne doit pas produire de brouillage, et
 (2) l'utilisateur de l'appareil doit accepter tout brouillage radioélectrique subi, même si le brouillage est susceptible d'en compromettre le fonctionnement.
 Under Industry Canada regulations, this radio transmitter may only operate using an antenna of a type and maximum (or lesser) gain approved for the transmitter by Industry Canada. To reduce potential radio interference to other users, the antenna type and its gain should be so chosen that the equivalent isotropically radiated power (e.i.r.p.) is not more than that necessary for successful communication.

Conformément à la réglementation d'Industrie Canada, le présent émetteur radio peut fonctionner avec une antenne d'un type et d'un gain maximal (ou inférieur) approuvé pour l'émetteur par Industrie Canada. Dans le but de réduire les risques de brouillage radioélectrique à l'intention des autres utilisateurs, il faut choisir le type d'antenne et son gain de sorte que la puissance isotrope rayonnée équivalente (p.i.r.e.) ne dépasse pas l'intensité nécessaire à l'établissement d'une communication satisfaisante.

This equipment complies with IC RSS-102 radiation exposure limits set forth for an uncontrolled environment. This equipment should be installed and operated with minimum distance 20cm between the radiator & your body.

ce matériel est conforme aux limites de dose d'exposition aux rayonnements, CNR-102 énoncée dans un autre environnement, cette équipement devrait être installé et exploité avec distance minimale de 20 entre le radiateur et votre corps.

FRANÇAIS

Références du schéma

1 Apparence

- | | | | |
|---|---|---|---|
| 1 Microphone | 2 Indicateur | 3 Caméra | 4 Haut-parleur |
| 5 Touche | 6 Zone du lecteur de carte | 7 Éclairage IR | 8 Fente pour carte microSD et port de débogage |
| 9 LAN | 10 Bornes | | |

Remarque : le port de débogage sert uniquement au débogage.

Description de l'indicateur
Déverrouillage : vert
Appeler : orange
Communiquer : blanc

2 Borne et câblage

NF : sortie du relais de verrou de porte (NF)
485- : interface RS-485 (réservé)
NO : sortie du relais de verrou de porte (NO)
485+ : interface RS-485 (réservé)
COM : interface commune
Entrée 12 V CC : entrée d'alimentation électrique
AIN1 : pour l'accès au contact de porte
GIN1 : mise à la terre
AIN2 & AIN4 : réservé
LAN : interface réseau
AIN3 : pour l'accès au bouton de sortie

3 Accessoire d'installation

- | | |
|--|---|
| 1 Gabarit de montage | 2 Plaque de fixation |
| Remarque : les dimensions de la plaque de montage sont 174 mm × 83,66 mm × 18 mm. | |

4 Installation

Remarque : la station de porte de villa à interphone vidéo prend en charge le montage encastré et le montage en surface.

Avant de commencer :

- Assurez-vous que tous les équipements associés sont hors tension lors de l'installation.
- Préparez les outils nécessaires à l'installation : Perceuse (ø2,846) et gradienteur.
- Achetez l'écran de protection avant l'installation.

★ Montage en surface sans écran de protection

- Collez le gabarit de perçage au mur. Percez des trous de vis conformément au gabarit de perçage. Retirez le gabarit du mur.
- Fixez la plaque de montage au mur avec les 4 vis fournies à travers les trous prévus à cet effet.
- Fixez l'appareil sur la plaque de montage avec les 4 vis de blocage fournies.
- Fixez le capot sur l'appareil à l'aide de la vis.

★ Montage en surface avec écran de protection

- Collez le gabarit de perçage au mur. Percez des trous de vis conformément au gabarit de perçage. Retirez le gabarit du mur.
- Alignez l'écran de protection avec le gabarit de perçage.
- Fixez la plaque de montage au mur avec les 4 vis fournies à travers les trous prévus à cet effet.
- Fixez l'appareil sur la plaque de montage avec les 4 vis de blocage fournies.
- Fixez le capot sur l'appareil à l'aide de la vis.

★ Montage encastré sans écran de protection

- Collez le gabarit de perçage au mur. Percez le trou conformément au gabarit de perçage. Retirez le gabarit du mur.

Remarque : La taille suggérée du trou est de 175 mm × 84 mm × 19 mm.

- Installez le boîtier sur le trou.
- Insérez l'appareil dans le boîtier. Fixez l'appareil à l'aide des 4 vis fournies.
- Fixez le capot sur l'appareil à l'aide de la vis.

★ Montage encastré avec écran de protection

- Collez le gabarit de perçage au mur. Percez le trou conformément au gabarit de perçage. Retirez le gabarit du mur.

Remarque : La taille suggérée du trou est de 175 mm × 84 mm × 19 mm.

- Installez le boîtier sur le trou.
- Alignez l'écran de protection avec le boîtier.
- Insérez l'appareil dans le boîtier. Fixez l'appareil à l'aide des 4 vis fournies.
- Fixez le capot sur l'appareil à l'aide de la vis.

5 Configuration via le Web

1 Activation de l'appareil via le Web

Avant de pouvoir utiliser l'appareil, vous devez d'abord activer celui-ci en définissant un mot de passe fort. Les paramètres par défaut de la station de porte sont les suivants :

- Adresse IP par défaut : 192.0.0.65.
- N° de port par défaut : 8000.
- Nom d'utilisateur par défaut : admin.
- 1. Allumez l'appareil et connectez-le au réseau.
- 2. Saisissez l'adresse IP dans la barre d'adresse du navigateur web, puis cliquez sur Entrée pour accéder à la page d'activation.

Remarque : l'ordinateur et l'appareil doivent se trouver sur le même sous-réseau.

- Créez et saisissez un mot de passe dans le champ prévu à cet effet.
- Confirmez le mot de passe.
- Cliquez sur OK pour activer l'appareil.

Remarque : lorsque l'appareil n'est pas activé, le fonctionnement de base et la configuration à distance de l'appareil ne peuvent pas être effectués.

2 Accès à l'appareil via un navigateur web

- Dans la barre d'adresse du navigateur, saisissez l'adresse IP de l'appareil, puis appuyez sur la touche Entrée pour accéder à la page de connexion.
- Saisissez le nom d'utilisateur et le mot de passe, puis cliquez sur Connexion.

3 Communiquer avec la station intérieure

Remarque : configurez le numéro de pièce de la station intérieure qui est liée à la station de porte de villa. Consultez le manuel de l'utilisateur de la station intérieure à interphone vidéo pour plus de détails.

- Cliquez sur Paramètres → Interphone → Appuyer sur le bouton pour appeler pour accéder à la page des paramètres.
 - Réglez les paramètres.
 - Modifiez le numéro d'appel pour chaque bouton.
 - Cochez la case Appeler le centre de gestion pour définir le bouton permettant d'appeler le centre.
- Remarque : si vous cochez la case Appeler le centre de gestion et définissez également le numéro d'appel, l'appel du centre de gestion disposera d'un privilège supérieur au numéro d'appel.
- Appuyez sur le bouton pour appeler la station intérieure.

4 Émettre une carte

- Cliquez sur Paramètres → Contrôle d'accès et contrôle de l'ascenseur pour accéder à la page des paramètres.
- Cliquez sur Émettre carte. Présentez la carte dans la zone de lecture de carte.
- Lorsque l'émission est terminée, la fenêtre affiche la page des paramètres.
 - Seules les cartes Mifare sont prises en charge, et une carte Mifare de forme non standard est conseillée.
 - Jusqu'à 256 cartes peuvent être émises et gérées par la station de porte de série V. Une invite vocale (« aucune autre carte ne peut être émise ») se fera entendre lorsque le nombre de cartes émises dépassera la limite supérieure.

5 Déverrouiller la porte

Après avoir émis une carte, vous pourrez déverrouiller la porte en présentant la carte émise.

- Consultez le Manuel de l'utilisateur de la station de porte de villa à interphone vidéo (scannez le code QR) pour plus de détails.

PORTUGUÊS

Referências do diagrama

1 Apresentação

- | | | | |
|--|---|---|---|
| 1 Microfone | 2 Indicador | 3 Câmara | 4 Alto-falante |
| 5 Botão | 6 Área do leitor de cartão | 7 Luz IR | 8 Slot de cartão Micro SD e porta de depuração |
| 9 LAN | 10 Terminais | | |

Observação: a porta de depuração é usada apenas para essa finalidade.

Descrição do indicador
Desbloquear: verde
Chamar: laranja
Comunicar-se: branco

2 Terminais e fiação

NC: Saída do relé de bloqueio de porta (NF)
NO: Saída do relé de bloqueio de porta (NA)
485-: Interface RS-485 (reservado)
485+ : Interface RS-485 (reservado)
COM: Interface comum
Entrada 12 V CC: fonte de alimentação 12 VCC
GIN1: Para acesso do contato da porta
AIN1: Para acesso do contato da porta
AIN2 e AIN4: Reservado
LAN: Interface de rede
AIN3: Para acesso do botão de saída

3 Acessórios de instalação

- | | |
|--|--|
| 1 Gabarito de montagem | 2 Placa de montagem |
| Observação: medidas da placa de montagem: 174 × 83,66 × 18 mm. | |

4 Instalação

Observação: a estação de porta villa de intercomunicação por vídeo permite montagens embutidas e de superfície.

Antes de você começar:

- Garanta que todos os equipamentos relacionados estejam desligados durante a instalação.
- Ferramentas que você precisa para a instalação: Broca (ø 2,846 mm) e nível.
- Adquira a capa de proteção antes da instalação.

★ Montagem de superfície sem capa de proteção

- Fixe o gabarito de montagem na parede. Faça os furos dos parafusos na parede de acordo com o gabarito de montagem. Retire o gabarito da parede.
- Prenda a placa de montagem na parede com os 4 parafusos fornecidos de acordo com os furos.
- Prenda o dispositivo na placa de montagem com os 4 parafusos de fixação fornecidos.
- Fixe a tampa no dispositivo com o parafuso.

★ Montagem de superfície com capa de proteção

- Fixe o gabarito de montagem na parede. Faça os furos dos parafusos na parede de acordo com o gabarito de montagem. Retire o gabarito da parede.
- Alinhe a capa de proteção com o gabarito de montagem.
- Prenda a placa de montagem na parede com os 4 parafusos fornecidos de acordo com os furos.
- Prenda o dispositivo na placa de montagem com os 4 parafusos de fixação fornecidos.
- Fixe a tampa no dispositivo com o parafuso.

★ Montagem embutida sem capa de proteção

- Fixe o gabarito de montagem na parede. Faça a cavidade na parede de acordo com o gabarito de montagem. Retire o gabarito da parede.

Observação: o tamanho sugerido da cavidade é de 175 × 84 × 19 mm.

- Instale a caixa de embutir na cavidade.
- Insira o dispositivo na caixa de embutir. Prenda o dispositivo com os 4 parafusos fornecidos.
- Fixe a tampa no dispositivo com o parafuso.

★ Montagem embutida com capa de proteção

- Fixe o gabarito de montagem na parede. Faça a cavidade na parede de acordo com o gabarito de montagem. Retire o gabarito da parede.
- Alinhe a capa de proteção com a caixa de embutir.
- Insira o dispositivo na caixa de embutir. Prenda o dispositivo com os 4 parafusos fornecidos.
- Fixe a tampa no dispositivo com o parafuso.

5 Configuração pela web

1 Ativar o dispositivo pela web

Antes de poder usar o dispositivo, é necessário primeiro ativá-lo com a definição de uma senha forte para ele.

Os parâmetros padrão da estação de porta são os seguintes:

- Endereço IP padrão: 192.0.0.65.
- N.º de porta padrão: 8000.
- Nome de usuário padrão: admin.

- Ligue o dispositivo e conecte-o à rede.
- Digite o endereço IP na barra de endereços do navegador da web e pressione Enter para entrar na página de ativação.

Observação: o computador e o dispositivo devem estar conectados à mesma sub-rede.

- Crie e digite uma senha no campo de senha.
- Confirme a senha.
- Clique em OK para ativar o dispositivo.

Observação: se o dispositivo não estiver ativado, tanto a operação básica como a configuração remota do dispositivo não poderão ser executadas.

2 Acesso ao dispositivo por navegadores da web

- Digite o endereço IP do dispositivo na barra de endereços do navegador e pressione Enter para entrar na página de acesso.
- Digite o nome de usuário e a senha e clique em Acessar.

3 Comunicação com a estação interna

Observação: configure o número do local da estação interna que está vinculada à estação de porta villa. Consulte o Manual do Usuário da Estação Interna de Intercomunicação por Vídeo para mais detalhes.

- Clique em "Configurações → Intercom. → Press. botão para chamar" para entrar na página de configurações.
- Defina os parâmetros.
 - Edite o n.º a chamar para todos os botões.
 - Marque "Chamar central de gerenciamento" para definir o botão da central de atendimento.
- Observação: se você marcar "Chamar central de gerenciamento" e também definir o n.º a chamar, "Chamar central de gerenciamento" terá prioridade mais alta do que o n.º a chamar.
- Pressione o botão para chamar a estação interna.

4 Emitir cartão

- Clique em "Configurações → Controle de acesso e controle de elevadores" para entrar na página de configuração correspondente.
- Clique em "Emitir cartão". Aproxime o cartão da área de leitura de cartões.
- Quando a emissão for concluída, janelas serão exibidas na página de configuração.
 - Apenas o cartão Mifare é suportado. É recomendado o uso de cartões Mifare com formato não padrão.
 - Até 256 cartões podem ser emitidos e gerenciados pela estação de porta da série V. A mensagem de voz "Não é possível emitir mais cartões" poderá ser ouvida quando a quantidade de cartões emitidos exceder o limite.

5 Desbloquear porta

Após a emissão dos cartões, você poderá usá-los para desbloquear a porta.

- Consulte o Manual do Usuário da Estação de Porta Villa de Intercomunicação por Vídeo (leia o código QR) para mais detalhes.

ESPAÑOL

Referencias del diagrama

1 Apariencia

- | | | | |
|--|--|---|---|
| 1 Micrófono | 2 Indicador | 3 Cámara | 4 Altavoz |
| 5 Botón | 6 Área del lector de tarjetas | 7 Luz IR | 8 Ranura para tarjeta microSD y puerto de depuración |
| 9 LAN | 10 Terminales | | |

Nota: el puerto de depuración solo se utiliza para eliminar fallos del sistema.

Descripción del indicador
Desbloquear: verde
Llamar: naranja
Comunicar: blanco

2 Terminal y cableado

NC: salida de relé de cerradura de puerta (NC)
NA: salida de relé de cerradura de puerta (NA)
485-: interfaz RS-485 (reservada)
485+ : interfaz RS-485 (reservada)
COM: interfaz común
ENTRADA 12 VCC: entrada de la fuente de alimentación
GIN1: Para el acceso del contacto de la puerta
AIN1: Para el acceso del contacto de la puerta
AIN2 y AIN4: reservado
LAN: interfaz de red
AIN3: para el acceso del botón de salida

3 Accesorio de instalación

- | | |
|--|---|
| 1 Plantilla de montaje | 2 Placa de montaje |
| Nota: las dimensiones de la placa de montaje son de 174 mm × 83,66 mm × 18 mm. | |

4 Instalación

Nota: la estación de vídeo intercomunicador para puerta de chalé es compatible con el montaje empotrado y el montaje en superficie.

Antes de empezar:

- Asegúrese de que todos los equipos relacionados estén apagados durante la instalación.
- Herramientas que necesita para la instalación: Taladro (ø2,846 mm) y nivel.
- Adquiera la chapa protectora antes de la instalación.

★ Montaje en superficie sin chapa protectora

- Pegue la plantilla de montaje en la pared. Taladre los agujeros para los tornillos según la plantilla de montaje. Retire la plantilla de la pared.
- Sujete la placa de montaje en la pared colocando los 4 tornillos incluidos en sus agujeros correspondientes.
- Sujete el dispositivo en la placa de montaje con los 4 tornillos de presión incluidos.
- Fije la tapa en el dispositivo con el tornillo.

★ Montaje en superficie con chapa protectora

- Pegue la plantilla de montaje en la pared. Taladre los agujeros para los tornillos según la plantilla de montaje. Retire la plantilla de la plantilla de montaje.
- Alinee la chapa protectora con la plantilla de montaje.
- Sujete la placa de montaje en la pared colocando los 4 tornillos incluidos en sus agujeros correspondientes.
- Sujete el dispositivo en la placa de montaje con los 4 tornillos de presión incluidos.
- Fije la tapa en el dispositivo con el tornillo.

★ Montaje empotrado sin chapa protectora

- Pegue la plantilla de montaje en la pared. Taladre el agujero según la plantilla de montaje. Retira la plantilla de la pared.

Nota: se recomienda un tamaño para el agujero de 175 mm × 84 mm × 19 mm.

- Instale la caja empotrada en el orificio.
- Inserte el dispositivo en la caja empotrada. Sujete el dispositivo con los 4 tornillos incluidos.
- Fije la tapa en el dispositivo con el tornillo.

★ Montaje empotrado con chapa protectora

- Pegue la plantilla de montaje en la pared. Taladre el agujero según la plantilla de montaje. Retire la plantilla de la pared.
- Instale la caja empotrada en el orificio.
- Alinee la chapa protectora con la caja empotrada.
- Inserte el dispositivo en la caja empotrada. Sujete el dispositivo con los 4 tornillos incluidos.
- Fije la tapa en el dispositivo con el tornillo.

5 Configuración a través de la web

1 Activar el dispositivo a través de la web

Antes de poder utilizar el dispositivo es necesario activarlo estableciendo una contraseña segura.

Los parámetros predeterminados de la estación para puerta son los siguientes:

- Dirección IP predeterminada: 192.0.0.65.
- N.º de puerto predeterminado: 8000.
- Nombre de usuario predeterminado: admin.

- Encienda el dispositivo y conéctelo a la red.
- Introduzca la dirección IP en la barra de direcciones del navegador web y pulse Intro para acceder a la página de activación.

Nota: el ordenador y el dispositivo deben pertenecer a la misma subred.

- Cree una contraseña e introdúzcala en el campo de contraseña.
- Confirme la contraseña.
- Clique en OK para activar el dispositivo.

Observación: se o dispositivo no está activado, las operaciones básicas y la configuración remota no se podrán realizar.

2 Acceso al dispositivo a través de navegadores web

- En la barra de direcciones del navegador, introduzca la dirección IP del dispositivo y pulse la tecla Intro para acceder a la página de inicio de sesión.
- Introduzca el nombre de usuario y la contraseña y haga clic en Iniciar sesión.

3 Comunicarse con la estación interior

Nota: configure el n.º de habitación de la estación interior que está vinculado con la estación para puerta de chalé. Consulte el manual de usuario de la estación interior de vídeo intercomunicador para más información.

- Haga clic en Ajustes → Intercomunicador → Pulsar botón para llamar, para acceder a la página de ajustes
- Configure los parámetros.
 - Edite el n.º de llamada de todos los botones.
 - Marque Centro de administración de llamadas para establecer el botón del centro de llamadas.
- Nota: si marca Centro de administración de llamadas y establece también el n.º de llamada, el centro de administración de llamadas tendrá más privilegios que el n.º de llamada.
- Pulse el botón para llamar a la estación interior.

4 Emitir tarjeta

- Haga clic en Ajustes → Control de acceso y control de ascensor, para acceder a la página de ajustes correspondiente.
- Haga clic en Emitir tarjeta. Coloque la tarjeta en el área de lectura de tarjetas.
- Quando la emisión finalice, las ventanass aparecerán en la página de ajustes.
 - Solo es compatible con tarjetas Mifare y se recomiendan tarjetas Mifare de forma no estándar.
 - Las estaciones para puertas de la gama V pueden emitir y administrar hasta 256 tarjetas. Se oirá un aviso de voz ("no se pueden emitir más tarjetas") cuando la cantidad de tarjetas emitidas supere el límite.

5 Desbloquear puerta

Después de emitir las tarjetas, puede desbloquear la puerta presentando la tarjeta emitida.

- Consulte el manual de usuario de la estación de vídeo intercomunicador para puerta de chalé (escanee el código QR) para más información.

DEUTSCH

Verweise auf Schaubilder

1 Optik

- | | | | |
|---|--|---|---|
| 1 Mikrofon | 2 Statusanzeige | 3 Kamera | 4 Lautsprecher |
| 5 Taste | 6 Kartenlesebereich | 7 IR-Licht | 8 microSD-Kartensteckplatz und Debugging-Anschluss |
| 9 LAN | 10 Anschlussklemmen | | |

Hinweis: Debugging-Anschluss dient ausschließlich dem Debugging.

Anzeigen
Entriegeln: Grün
Anruf: Orange
Kommunikation: Weiß

2 Anschlüsse und Verkabelung

NC: Türschloss-Relaisausgang (NC)
NO: Türschloss-Relaisausgang (NO)
485-: RS-485-Schnittstelle (reserviert)
485+ : RS-485-Schnittstelle (reserviert)
12-V-Gleichspannungseingang: Stromversorgungseingang
Masse: Masse
LAN: Netzwerkanschluss
ENTRADA 12 VCC: entrada de la fuente de alimentación
GIN1: Für den Anschluss des Türkontakts
AIN1: Für den Anschluss der Ausgangstaste

3 Installationszubehör

- | | |
|--|--|
| 1 Montageschablone | 2 Montageplatte |
| Hinweis: Die Abmessungen der Montageplatte betragen 174 × 83,66 × 18 mm. | |

4 Installation

Hinweis: Einfamilienhaus-Türstation mit Video-Gegensprechfunktion unterstützt Unterputz- und Aufputzmontage.

Bevor Sie beginnen:

- Achten Sie darauf, dass alle relevanten Geräte während der Montage ausgeschaltet sind.
- Werkzeuge, die Sie für die Montage vorbereiten müssen: Bohrer (Ø 2,846) und Wasserwaage.
- Kaufen Sie die Schutzabdeckung vor der Installation.

★ Aufputzmontage ohne Schutzabdeckung

- Kleben Sie die Montageschablone an die Wand. Bohren Sie Schraubenlöcher entsprechend der Montageschablone. Entfernen Sie die Schablone von der Wand.
- Befestigen Sie die Montageplatte entsprechend den Schraubenlöchern mit 4 mitgelieferten Schrauben an der Wand.
- Sichern Sie das Gerät mit 4 mitgelieferten Feststellschrauben an der Montageplatte.
- Bringen Sie die Abdeckung mit den Schrauben am Gerät an.

★ Aufputzmontage mit Schutzabdeckung

- Kleben Sie die Montageschablone an die Wand.

ČEŠTINA

Odkazy na schéma

1 Vzhled

- | | | | |
|--------------------------------------|--|--|---|
| 1 Mikrofon | 2 Indikátor | 3 Kamera | 4 Reproduktor |
| 5 Tlačítko | 6 Oblast čtení karty | 7 Osvětlení IR | 8 Slot pro kartu Micro SD a ladící port |
| 9 LAN | 10 Sworky | | |

Poznámka: Ladící port se používá jen k ladění.

Popis indikátoru			
Odemčeno: zelená	Volání: oranžová	Komunikace: bílá	

2 Svorka a zapojení

NC: Reléový výstup zámku dveří (NC)	485-: Rozhraní RS-485 (vyhrazeno)
NO: Reléový výstup zámku dveří (NO)	485+: Rozhraní RS-485 (vyhrazeno)
COM: Konektor Common Interface	VSTUP 12 V: Vstup napájení
AIN1: Pro přístup dveřního kontaktu	ZEM: Uzemnění
AIN2 a AIN4: Vyhrazeno	LAN: Síťové rozhraní
AIN3: Pro přístup tlačítka odchodu	

3 Příslušenství pro instalaci

- | | |
|--|--|
| 1 Montážní šablona | 2 Montážní deska |
| <i>Poznámka: Rozměry montážní desky jsou 174 mm × 83,66 mm × 18 mm.</i> | |

4 Montáž

Poznámka: Dveřní stanice Villa s modulem pro videokomunikaci umožňuje zapuštěnou i povrchovou montáž.

Dříve než začnete:

- Ujistěte se, že veškerá příslušná zařízení jsou během instalace vypnutá.
- Nástroje, které si musíte připravit na instalaci: Vrták (ø 2,846) a skloměr.
- Před instalací zakupte ochranný štít.

Povrchová montáž bez ochranného štítu

- Přípevněte montážní desku na stěnu. Vyvrtejte otvory podle montážní šablony. Sejměte šablonu ze stěny.
- Zajistěte montážní desku na stěně 4 dodanými šrouby v příslušných otvorech na šrouby.
- Přípevněte zařízení na montážní desku 4 dodanými stavěcími šrouby.
- Šroubem přípevněte kryt na zařízení.

Povrchová montáž s ochranným štítem

- Přípevněte montážní desku na stěnu. Vyvrtejte otvory podle montážní šablony. Sejměte šablonu ze stěny.
- Zarovnejte ochranný štít s montážní šablonou.
- Zajistěte montážní desku na stěně 4 dodanými šrouby v příslušných otvorech na šrouby.
- Přípevněte zařízení na montážní desku 4 dodanými stavěcími šrouby.
- Šroubem přípevněte kryt na zařízení.

Zapuštěná montáž bez ochranného štítu

- Přípevněte montážní desku na stěnu. Vyvrtejte otvor podle montážní šablony. Sejměte šablonu ze stěny. *Poznámka: Navrhované rozměry otvoru jsou 175 mm × 84 mm × 19 mm.*
- Vložte do otvoru přístrojovou krabici.
- Zasuňte do přístrojové krabice zařízení. Přípevněte zařízení 4 dodanými šrouby.
- Šroubem přípevněte kryt na zařízení.

Zapuštěná montáž s ochranným štítem

- Přípevněte montážní desku na stěnu. Vyvrtejte otvor podle montážní šablony. Sejměte šablonu ze stěny. *Poznámka: Navrhované rozměry otvoru jsou 175 mm × 84 mm × 19 mm.*
- Vložte do otvoru přístrojové krabici.
- Zarovnejte ochranný štít s přístrojovou krabicí.
- Zasuňte do přístrojové krabice zařízení. Přípevněte zařízení 4 dodanými šrouby.
- Šroubem přípevněte kryt na zařízení.

5 Konfigurace po internetu

1 Aktivace zařízení po internetu

- Před použitím zařízení je musíte aktivovat nastavením silného hesla. Východí parametry dveřní stanice jsou tyto:
- Východí IP adresa: 192.0.0.65.
 - Východí č. portu: 8000.
 - Východí uživatelské jméno: admin.
 - Zapněté zařízení a připojte zařízení k síti.
 - Do adresního řádku webového prohlížeče zadejte IP adresu a kliknutím na Enter otevřete aktivační stránku. *Poznámka: Počítač a zařízení by měly být připojeny do stejné podítě.*
 - Vytvořte heslo a zadejte je do pole pro heslo.
 - Potvrďte heslo.
 - Pro aktivaci zařízení klikněte na tlačítko OK. *Poznámka: Pokud zařízení není aktivováno, nelze provádět základní operace ani vzdálenou konfiguraci zařízení.*

2 Přístup k zařízení z webových prohlížečů

- Do adresního řádku prohlížeče zadejte IP adresu zařízení a stiskněte klávesu Enter. Otevře se stránka pro přihlášení.
- Zadejte uživatelské jméno a heslo a klikněte na tlačítko Přihlásit.

3 Komunikace s vnitřní stanicí

Poznámka: Nastavte číslo místnosti vnitřní stanice, která je připojena k dveřní stanici Villa. Podrobnosti najdete v návodu k použití vnitřní stanice s modulem pro videokomunikaci.

- Klikněte na možnost Nastavení → Intercom → Volání stisknutím tlačítka. Otevře se stránka nastavení.
- Nastavte parametry.
 - Upravte č. volání pro každé tlačítko.
 - Zaškrtněte Centrum správy hovorů a nastavte centrum volání stisknutím tlačítka.

Poznámka: Pokud zaškrtnete Centrum správy hovorů a nastavíte také č. volání, centrum správy volání bude mít vyšší oprávnění než č. volání.

4 Vydání karty

- Klikněte na Nastavení → Řízení přístupu a ovládání výtahu a otevřete příslušnou stránku nastavení.
- Klikněte na Vydát kartu. Vložte kartu do oblasti čtení karty.
- Po dokončení vydávání se otevře okno se stránkou nastavení.
 - Podporována je jen karta Mifare a doporučuje se karta Mifare nestandardního tvaru.
 - Dveřní stanice řady V mohou vydát a spravovat až 256 karet. Pokud počet vydaných karet překročí horní limit, může zasnít hlasová výzva (Nelze vydát další karty.).

5 Odemknutí dveří

- Po vydání karet můžete dveře odemknout předložením vydané karty.
- Podrobnosti najdete v uživatelské příručce dveřní stanice Villa s modulem pro videokomunikaci (naskenujte QR kód).

POLSKI

Opis diagramu

1 Elementy urządzenia

- | | | | |
|--------------------------------------|--|---|---|
| 1 Mikrofon | 2 Wskaźnik | 3 Kamera | 4 Głośnik |
| 5 Przycisk | 6 Czytnik kart | 7 Promiennik podczerwieni | 8 Gniazdo karty microSD i złącze do debugowania |
| 9 LAN | 10 Zaciski | | |

Uwaga: Złącze debugowania jest używane wyłącznie do debugowania.

Opis wskaźników			
Odłokowanie: zielony	Połączenie: pomarańczowy	Komunikacja: biały	

2 Zaciski i okablowanie

NC: wyjście przełącznika zamka drzwi (rozwiernie)	485-: złącze RS-485 (zarezerwowane)
NO: wyjście przełącznika zamka drzwi (zwiernie)	485+: złącze RS-485 (zarezerwowane)
COM: interfejs wspólny	12 VDC IN: wejście zasilacza
AIN1: dostęp do stykowego czujnika drzwiowego	GND: masa
AIN2 i AIN4: zarezerwowane	LAN: złącze sieciowe
AIN3: dostęp do przycisku wyjścia	

3 Akcesoria instalacyjne

- | | |
|--|---|
| 1 Szablon montażowy | 2 Płyta montażowa |
| <i>Uwaga: Płyta montażowa ma wymiary 174 mm × 83,66 mm × 18 mm.</i> | |

4 Instalacja

Uwaga: Panel wejściowy z wideodomofonem jest przystosowany do montażu podtynkowego i natynkowego.

Zanim rozpocznieisz:

- Upewnij się, że podczas instalacji zasilanie powiązanego wyposażenia jest wyłączone.
- Przed instalacją przygotuj następujące narzędzia: wiertło (ø 2,846) i poziomica.
- Zakup osłonę przed instalacją.

Montaż natynkowy bez osłony

- Przymocuj szablon montażowy do ściany. Wywierć otwory na wkręty zgodnie z szablonem montażowym. Usuń szablon ze ściany.
- Przymocuj płytę montażową do ściany czterema dostarczonymi wkrętami, umieszczając je w odpowiednich otworach.
- Przymocuj urządzenie do płyty montażowej czterema dostarczonymi śrubami ustalającymi.
- Przymocuj pokrywę do urządzenia śrubą.

Montaż natynkowy z osłoną

- Przymocuj szablon montażowy do ściany. Wywierć otwory na wkręty zgodnie z szablonem montażowym. Usuń szablon ze ściany.
- Ustaw osłonę zgodnie z szablonem montażowym.
- Przymocuj płytę montażową do ściany czterema dostarczonymi wkrętami, umieszczając je w odpowiednich otworach.
- Przymocuj urządzenie do płyty montażowej czterema dostarczonymi śrubami ustalającymi.
- Przymocuj pokrywę do urządzenia śrubą.

Montaż podtynkowy bez osłony

- Przymocuj szablon montażowy do ściany. Wykonaj wnękę zgodnie z szablonem montażowym. Usuń szablon ze ściany. *Uwaga: Zalecane wymiary wnęki: 175 mm × 84 mm × 19 mm.*
- Zainstaluj puszkę montażową we wnęce.
- Umieść urządzenie w puszce montażowej. Przymocuj urządzenie czterema dostarczonymi śrubami.
- Przymocuj pokrywę do urządzenia śrubą.

Montaż podtynkowy z osłoną

- Przymocuj szablon montażowy do ściany. Wykonaj wnękę zgodnie z szablonem montażowym. Usuń szablon ze ściany. *Uwaga: Zalecane wymiary wnęki: 175 mm × 84 mm × 19 mm.*
- Zainstaluj puszkę montażową we wnęce.
- Ustaw osłonę zgodnie z puszką montażową.
- Umieść urządzenie w puszce montażowej. Przymocuj urządzenie czterema dostarczonymi śrubami.
- Przymocuj pokrywę do urządzenia śrubą.

5 Konfiguracja internetowa

1 Internetowa aktywacja urządzenia

- Przed użyciem urządzenia należy je aktywować, ustawiając silne hasło. Domyślne parametry panelu wejściowego są następujące:
- Domyślny adres IP: 192.0.0.65.
 - Domyślny numer portu: 8000.
 - Domyślna nazwa użytkownika: admin.
 - Włącz zasilanie urządzenia i połącz je z siecią.
 - Wprowadź adres IP na pasku adresu przeglądarki internetowej, a następnie naciśnij klawisz Enter, aby wyświetlić stronę aktywacji.

Uwaga: Komputer i urządzenie powinny należeć do tej samej podsieci.

- Utwórz hasło i wprowadź je w odpowiednim polu.
- Potwierdź hasło.
- Kliknij przycisk OK, aby aktywować urządzenie.
- Jeżeli urządzenie nie zostanie aktywowane, wykonywanie podstawowych operacji i zdalne konfigurowanie urządzenia nie będzie możliwe.

2 Dostęp do urządzenia przy użyciu przeglądarki internetowej

- Wprowadź adres IP urządzenia na pasku adresu przeglądarki i naciśnij klawisz Enter, aby wyświetlić stronę logowania.
- Wprowadź nazwę użytkownika i hasło, a następnie kliknij przycisk Zaloguj.

3 Komunikacja z panelem wewnętrznym

Uwaga: Należy skonfigurować numer lokalu panelu wewnętrznego powiązanego z panelem wejściowym willi. Aby uzyskać więcej informacji, skorzystaj z Podręcznika użytkownika panelu wewnętrznego wideodomofonu.

- Kliknij Ustawienia > Domofoon i naciśnij przycisk połączenia, aby wyświetlić stronę ustawień.
- Ustaw parametry.
 - Edytuj numer połączenia dla każdego przycisku.
 - Zaznacz pole wyboru Centrum zarządzania połączeniami, aby ustawić centrum połączeń dla przycisku.

Uwaga: Po zaznaczeniu pola wyboru centrum zarządzania połączeniami i ustawieniu numeru połączenia centrum ma wyższy priorytet niż ten numer.

- Naciśnij przycisk, aby ustanowić połączenie z panelem wewnętrznym.

4 Wystawienie karty

- Kliknij Ustawienia > Kontrola dostępu i sterowanie windą, aby wyświetlić odpowiednią stronę ustawień.
- Kliknij przycisk Wystaw kartę. Zbliz kartę do czytnika.
- Po zakończeniu wystawiania na stronie ustawień zostaną wyświetlone okna podręczne.
 - Obsługiwane są tylko karty Mifare. Zalecane są karty Mifare o niestandardowym kształcie.
 - Panel wejściowy z serii V umożliwila wystawienie i zarządzanie aż 256 kartami. Monit głosowy „Wystawiono już maksymalną dopuszczalną liczbę kart” jest otwarzany po przekroczeniu maksymalnej dopuszczalnej liczby wystawionych kart.

5 Odblokowanie drzwi

- Po wystawieniu kart można odblokować drzwi przy użyciu tych kart.
- Aby uzyskać więcej informacji, skorzystaj z Podręcznika użytkownika panelu wejściowego wideodomofonu (zeskanuj kod QR).

NEDERLANDS

Schemaverwijzingen

1 Uiterlijk

- | | | | |
|---------------------------------------|--|--|--|
| 1 Microfoon | 2 Pictogram | 3 Camera | 4 Luidspreker |
| 5 Toets | 6 Kaartlezer | 7 IR-verlichting | 8 Micro-SD-kaartsleuf en foutsopningspoort |
| 9 LAN | 10 Aansluitingen | | |

Opmerking: Foutsopningspoort wordt alleen gebruikt voor foutsopring.

Indicatorbeschrijving			
Ontgrendelen: Groen	Bellen: Oranje	Communiceren: Wit	

2 Aansluitingen en bedrading

NC: Uitgang deurslotrelais (NC)	485-: RS-485-interface (gereserveerd)
NO: Uitgang deurslotrelais (NO)	485+: RS-485-interface (gereserveerd)
COM: Gemeenschappelijke interface	12 V DC IN: Voedingsingang
AIN1: Voor toegang tot deurcontact	GND: Aarding
AIN2 & AIN4: Gereserveerd	LAN: Netwerkiterface
AIN3: Voor toegang tot verlaatknop	

3 Installatie-accessoire

- | | |
|--|--|
| 1 Montagemaal | 2 Montageplaat |
| <i>Opmerking: De afmetingen van de montageplaat zijn 174 mm × 83,66 mm × 18 mm.</i> | |

4 Installatie

Opmerking: Video-intercom van deurstation van villa ondersteunt inbouwmontage en opbouwmontage.

Voordat u begint:

- Zorg ervoor dat alle bijbehorende apparatuur tijdens de installatie is uitgeschakeld.
- Gereedschap dat u nodig hebt voor de installatie: Boor (ø 2,846) en gradiënt.
- Schaf vóór installatie het beschermkapje aan.

Opbouwmontage zonder beschermend schild

- Plak de montagesjabloon tegen de muur. Boor schroefgaten volgens de montagesjabloon. Verwijder de sjabloon van de muur.
- Bevestig de montageplaat aan de muur met de 4 meegeleverde schroeven in overeenstemming met de schroefgaten.
- Bevestig het apparaat aan de montageplaat met behulp van de 4 meegeleverde stelschroeven.
- Bevestig het deksel op het apparaat met behulp van de schroef.

Opbouwmontage met beschermend schild

- Plak de montagesjabloon tegen de muur. Boor schroefgaten volgens de montagesjabloon. Verwijder de sjabloon van de muur.
- Lijn de beschermkap uit met de montagesjabloon.
- Bevestig de montageplaat aan de muur met de 4 meegeleverde schroeven in overeenstemming met de schroefgaten.
- Bevestig het apparaat aan de montageplaat met behulp van de 4 meegeleverde stelschroeven.
- Bevestig het deksel op het apparaat met behulp van de schroef.

Inbouwmontage zonder beschermend schild

- Plak de montagesjabloon tegen de muur. Boor de gaten volgens de montagesjabloon. Verwijder de sjabloon van de muur. *Opmerking: De aanbevolen afmetingen van het gat is 175 mm × 84 mm × 19 mm.*
- Plaats de inbouwdoos in het gat.
- Plaats het apparaat in de inbouwdoos. Bevestig het apparaat met de 4 meegeleverde schroeven.
- Bevestig het deksel op het apparaat met behulp van de schroef.

Inbouwmontage met beschermend schild

- Plak de montagesjabloon tegen de muur. Boor de gaten volgens de montagesjabloon. Verwijder de sjabloon van de muur. *Opmerking: De aanbevolen afmetingen van het gat is 175 mm × 84 mm × 19 mm.*
- Plaats de inbouwdoos in het gat.
- Lijn de beschermkap uit met de inbouwdoos.
- Plaats het apparaat in de inbouwdoos. Bevestig het apparaat met de 4 meegeleverde schroeven.
- Bevestig het deksel op het apparaat met behulp van de schroef.

5 Configuratie via het web

1 Apparaat activeren via het web

- U dient het apparaat voor gebruik eerst te activeren door er een sterk wachtwoord voor in te stellen. Standaardparameters van het deurstation zijn als volgt:
- Standaard IP-adres: 192.0.0.65.
 - Standaard poortnr.: 8000.
 - Standaard gebruikersnaam: admin.
 - Zet het apparaat aan en verbindt het met het netwerk.
 - Voer het IP-adres in de adresbalk van de webbrowser in en druk op Enter om de activeringspagina te openen. *Opmerking: De computer en het apparaat moeten tot hetzelfde subnet behoren.*
 - Maak een wachtwoord aan en voer deze in het wachtwoordveld in.
 - Bevestig het wachtwoord.
 - Klik op OK om het apparaat te activeren.

Opmerking: Als het apparaat niet is geactiveerd, kunnen de basisbediening en externe configuratie van het apparaat niet worden uitgevoerd.

2 Toegang tot het apparaat via webbrowsers

- Voer in de adresbalk van de browser het IP-adres van het apparaat in en druk op Enter om de inlogpagina te openen.
- Voer de gebruikersnaam en het wachtwoord in en klik op Inloggen.

3 Communiceren met binnenstation

Opmerking: Configureer het kamernr. van het binnenstation dat is gekoppeld aan het deurstation van de villa. Raadpleeg Gebruikershandleiding van video-intercom binnenstation voor meer informatie.

- Klik op Instellingen → Intercom → Druk op de bel om de instellingenpagina te openen.
- Stel de parameters in.
 - Bewerk oproepnr. voor elke knop.
 - Vink Beheerderscentrum belLEN aan om de knop voor het callcenter in te stellen.

Opmerking: Als u Beheerderscentrum belLEN aanwinkt en tevens het oproepnr. instelt, heeft het beheerderscentrum belLEN een hogere prioriteit dan oproepnr.

- Druk op de knop om het binnenstation te belLEN.
- Pas uitgeven**
 - Klik op Instellingen → Toegangscontrole en Liftcontrole om de bijbehorende instellingenpagina te openen.
 - Klik op Pas uitgeven. Houd de pas bij de kaartlezer.
 - Wanneer de uitgifte is voltooid, verschijnen de vensters op de instellingenpagina.
 - Uitsluitend Mifare-pas wordt ondersteund en Mifare-pas met een niet-standaard vorm wordt aanbevolen.
 - Er kunnen maximaal 256 passen worden uitgegeven en beheerd door deurstations in de V-serie. U hoort een spraakmelding (Er kunnen geen passen meer worden uitgegeven.) wanneer het aantal uitgegeven passen de bovengrens overschrijdt.

5 Deur ontgrendelen

- Na het uitgeven van passen kunt u de deur ontgrendelen door de uitgegeven pas te presenteren.
- Raadpleeg Gebruikershandleiding video-intercom van deurstation van villa (scan de QR-code) voor meer informatie.

HRVATSKI

Grafički prikazi

1 Izgled

- | | | | |
|--------------------------------------|---|---|--|
| 1 Mikrofon | 2 Indikator | 3 Kamera | 4 Zvučnik |
| 5 Gumb | 6 Područje čitača kartice | 7 Infracrveno svjetlo | 8 Utor za mikro SD karticu i port za ispravljanje pogreška |
| 9 LAN | 10 Terminali | | |

Napomena: Port za ispravljanje pogreška koristi se isključivo za ispravljanje pogrešaka.

Opis indikatora			
Otključavanje: zeleno	Poziv: narančasto	Komuniciranje: bijelo	

2 Terminal i električne instalacije

NC: Izlaz releja za bravu (NC)	485-: Sučelje RS-485 (rezervirano)
NO: Izlaz releja za bravu (NO)	485+: Sučelje RS-485 (rezervirano)
COM: Zajedničko sučelje	12 VDC IN: Ulaz napajanja
AIN1: Za pristup kontaktu za vrata	GND: Uzemljenje
AIN2 i AIN4: Rezervirano	LAN: Mrežno sučelje
AIN3: Za pristup gumbu za izlaz	

3 Dodaci za postavljanje

- | | |
|--|---|
| 1 Montažni predložak | 2 Pričvrсна ploča |
| <i>Napomena: Dimenzije montažne ploče su 174 mm × 83,66 mm × 18 mm.</i> | |

4 Postavljanje

Napomena: Stanica za vrata vile s video interfonom podržava ugrađeno monitoranje i monitoranje na površini.

Prije početka:

- Provjerite je li sva pripadajuća oprema isključena tijekom postavljanja.
- Alati koje trebate pripremiti za postavljanje: Bušilica (ø 2,846) i libela.
- Kupite štitiik prije postavljanja.

Montaža na površini bez štitiika

- Stavite montažni predložak na zid. Izbušite rupe za vijke prema montažnom predlošku. Uklonite predložak sa zida.
- Osigur

ANGOL

Abra jelölései

1 Kinézet

- | | | | |
|---------------------------------------|---|--------------------------------------|---|
| 1 Mikrofon | 2 Jelző | 3 Kamera | 4 Hangszóró |
| 5 Gomb | 6 Kártyaolvasó terület | 7 IR-fény | 8 Micro SD-kártyanyílás és hibakereső port |
| 9 LAN | 10 Csatlakozó | | |

Megjegyzés: A hibakereső port csak hibakeresésre használható.

Jelzés leírása		
Nyitás: Zöld	Hívás: Narancssárga	Kommunikáció: Fehér

2 Csatlakozó és vezetékek

NC: Ajtózáρ relékimenet (NC)	485+ : RS-485 csatlakozó (fenntartva)
NO: Ajtózáρ relékimenet (NO)	485-: RS-485 csatlakozó (fenntartva)
COM: Közös csatlakozó	12 VDC IN: Tápegységbemenet
AIN1: Az ajtóérintkező eléréséhez	GND: Földelés
AIN2 és AIN4: Fenntartott	LAN: Hálózati csatlakozó
AIN3: A kilépés gomb eléréséhez	

3 Szerelési eszköz

- | | |
|---|---|
| 1 Szerelőlabló | 2 Tartólemez |
|---|---|
- Megjegyzés: A tartólemez mérete: 174 mm × 83,66 mm × 18 mm.

4 Telepítés

Megjegyzés: A videó-kaputelefon kapuállomása síkba vagy felületre szerelhető. *Mielőtt belekezdené:*

- Bizonyosodjon meg arról, hogy minden kapcsolódó eszköz átáramtalanított a felszerelés ideje alatt.
- Szerszámok, amelyekre a telepítés során szüksége lesz: Fűrőgép (ø2,846) és vízmérték.
- Vásárolja meg a védőburkolatot a felszerelés megkezdése előtt.

Felületre szerelés védőlemez nélkül

- Helyezze a szerelőlablont a falra. Fúrjon furatokat a szerelőlabló alapján. Vegye el a lemezt a falról.
- Rögzítse a csavarfuratok alapján a tartólemez a falra a 4 mellékelt csavarral.
- Rögzítse a készüléket a tartólemmezhez a 4 mellékelt csavarral.
- Rögzítse a fedelet a készülékhez a csavarokkal.

Felületre szerelés védőburkolattal

- Helyezze a szerelőlablont a falra. Fúrjon furatokat a szerelőlabló alapján. Vegye el a lemezt a falról.
- Igazítsa a védőburkolatot a szerelőlablónhoz.
- Rögzítse a csavarfuratok alapján a tartólemez a falra a 4 mellékelt csavarral.
- Rögzítse a készüléket a tartólemmezhez a 4 mellékelt csavarral.
- Rögzítse a fedelet a készülékhez a csavarokkal.

Síkba szerelés védőburkolat nélkül

- Helyezze a szerelőlablont a falra. Vésse ki az üreget a szerelőlabló alapján. Vegye el a lemezt a falról. *Megjegyzés:* Az üreg ajánlott mérete: 175 mm × 84 mm × 19 mm.
- Szerelje be a szerelődobozt az üregbe.
- Helyezze a készüléket a szerelődobozba. Rögzítse a készüléket a 4 mellékelt csavarral.
- Rögzítse a fedelet a készülékhez a csavarokkal.

Síkba szerelés védőburkolattal

- Helyezze a szerelőlablont a falra. Vésse ki az üreget a szerelőlabló alapján. Vegye el a lemezt a falról. *Megjegyzés:* Az üreg ajánlott mérete: 175 mm × 84 mm × 19 mm.
- Szerelje be a szerelődobozt az üregbe.
- Igazítsa a védőburkolatot a szerelődobozhoz.
- Helyezze a készüléket a szerelődobozba. Rögzítse a készüléket a 4 mellékelt csavarral.
- Rögzítse a fedelet a készülékhez a csavarokkal.

5 Weben keresztüli konfiguráció

1 A készülék weben keresztüli aktiválása

Először egy erős jelszó beállításával kell aktiválnia készülékét, mielőtt használhatná azt. A kapuállomás alapértelmezett paramétereit a következők:

- Alapértelmezett IP-cím: 192.0.0.65.
- Alapértelmezett portszám: 8000.
- Alapértelmezett felhasználónév: admin.

- Kapcsolja be a készüléket, és csatlakoztassa azt a hálózatra.
- Adja meg IP-címét a webböngésző címsorában, majd kattintson a Belépés gombra az aktiváló oldalra való belépéshez.

Megjegyzés: A számítógépnek és a készüléknek ugyanahhoz az alhálózathoz kell tartoznia.

- Hozzon létre és adjon meg egy jelszót a jelszó mezőben.
- Erősítse meg a jelszót.
- Kattintson az OK gombra a készülék aktiválásához.

Megjegyzés: Ha a készülék nincs aktiválva, annak alapvető kezelése és távkonfigurálása nem hajtható végre.

2 Böngészőn keresztüli hozzáférés a készülékhez

1. A böngésző címsorában adja meg készüléke IP-címét, majd nyomja meg a Belépés gombot a bejelentkezési oldalra való belépéshez.

2. Adja meg felhasználónevét és jelszavát, majd kattintson a Bejelentkezés gombra.

3 Kommunikáció a beltéri egységgel

Megjegyzés: Állítsa be a kapuállomással kapcsolatban álló beltéri egység szobaszámát. Tekintse meg a videó-kaputelefon beltéri egységének használati utasításait a részletekért.

1. Kattintson a Beállítások → Videó-kaputelefon → Nyomógomb a híváshoz lehetőségre a beállítások megnyitásához.

2. Állítsa be a paramétereket.

- Szerkessze a gombokhoz tartozó hívószámokat.
- Jelölje be a Híváskezelő központot a hívásközponti gomb beállításához.

Megjegyzés: Amennyiben bejelölte a Híváskezelő központot, és a hívószámokat is beállította, az Híváskezelő központ előbbséget élvez a hívószámokkal szemben.

3. Nyomjon meg egy gombot a beltéri egység hívásához.

4 Kártya kiadása

1. Nyomja meg a Beállítások → Belépésvezérlés és Felvonóvezérlés lehetőséget a megfelelő beállítások megnyitásához.

2. Kattintson a Kártya kiadása gombra. Helyezze a kártyát a kártyaolvasó területre.

3. A kiadás befejeztével ablakok fognak felugrani a beállítások oldalán.

- Csak a Mifare kártyák támogatottak, illetve a nem szabványos alakú Mifare kártyák használata javasolt.
- A V sorozatú kapuállomás legfeljebb 256 kártyát képes kndani és kezelni. Hangjelzés (Nem adható ki több kártya-) hallható, amikor a kiadható kártyamennyiség elérté a maximumot.

5 Ajtó nyitása

A kártyák kiadása után a kiadott kártya bemutatásával kinyithatja az ajtót.

★ Tekintse meg a videó-kaputelefon beltéri egységének használati utasításait (olvassa be a QR-kódot) a részletekért.

ROMÂNĂ

Referințe diagramă

1 Aspect

- | | | | |
|---------------------------------------|--|--|---|
| 1 Microfon | 2 Indicator | 3 Cameră | 4 Difuzor |
| 5 Buton | 6 Zona citire carduri | 7 Lumină IR | 8 Slot card Micro SD & Port depanare |
| 9 LAN | 10 Terminale | | |

Notă: Portul de depanare este utilizat doar pentru depanare.

Descriere indicator		
Deblocare: Verde	Apeleți: Portocaliu	Comunicați: Alb

2 Terminal și cablare

NC: Iesire releu pentru blocare ușă (NC, normal închis)	485+ : Interfață RS-485 (Rezervată)
NO: Iesire releu pentru blocare ușă (NO, normal deschis)	485-: Interfață RS-485 (Rezervată)
COM: Terminal comun pentru interfață	12 VDC IN: Intrare alimentare
AIN1: Pentru acces contact ușă	GND: Împământare
AIN2 & AIN4: Rezervat	LAN: Interfață de rețea
AIN3: Pentru acces buton Iesire	

3 Accesoriu pentru instalare

- | | |
|--|---|
| 1 Șablon de montare | 2 Placă de montare |
|--|---|
- Notă: Dimensiunea plăcii de montaj este 174 mm × 83,66 mm × 18 mm.

4 Instalarea

Notă: Stația ușă videointerfon viilă acceptă montarea la aceiași nivel și montarea pe suprafață. *Înainte de a începe:*

- Asigurați-vă că toate echipamentele aferente sunt oprite în timpul instalării.
- Instrumente de care aveți nevoie pentru a vă pregăti pentru instalare: Burghiu (ø2.846) și boboloc.
- Cumpărați scutul de protecție înainte de instalare.

★ Montare pe suprafață fără scut de protecție

- Lipți șablonul de montare pe perete. Executați găuri pentru șuruburi conform șablonului de montare. Îndepărtați șablonul de pe perete.
- Asigurați placa de montare pe perete cu cele 4 șuruburi furnizate, folosind găurile pentru șuruburi.
- Fixați dispozitivul pe placa de montaj cu cele 4 șuruburi de fixare furnizate.
- Fixați capacul pe dispozitiv cu ajutorul șurubului.

★ Montare pe suprafață cu scut de protecție

1. Lipiți șablonul de montare pe perete. Executați găuri pentru șuruburi conform șablonului de montare. Îndepărtați șablonul de pe perete.

- Aliniați scutul de protecție cu șablonul de montare.
- Asigurați placa de montare pe perete cu cele 4 șuruburi furnizate, folosind găurile pentru șuruburi.
- Fixați dispozitivul pe placa de montaj cu cele 4 șuruburi de fixare furnizate.
- Fixați capacul pe dispozitiv cu ajutorul șurubului.

★ Montare la aceiași nivel fără scut de protecție

1. Lipiți șablonul de montare pe perete. Executați gaura conform șablonului de montare. Îndepărtați șablonul de pe perete.

- Montați cutia electrică în spațiul destinat.
- Montați dispozitivul în cutia electrică. Asigurați dispozitivul cu cele 4 șuruburi furnizate.
- Fixați capacul pe dispozitiv cu ajutorul șurubului.

★ Montare la aceiași nivel cu scut de protecție

1. Lipiți șablonul de montare pe perete. Executați gaura conform șablonului de montare. Îndepărtați șablonul de pe perete.

- Dimensiunea indicată a găurii este de 175 mm × 84 mm × 19 mm.
- Montați cutia electrică în spațiul destinat.
- Aliniați scutul de protecție cu cutia electrică.
- Montați dispozitivul în cutia electrică. Asigurați dispozitivul cu cele 4 șuruburi furnizate.
- Fixați capacul pe dispozitiv cu ajutorul șurubului.

5 Configurare prin Web

1 Activare dispozitiv prin Web

Înainte de a putea utiliza dispozitivul, trebuie să-l activați mai întâi, setând o parolă puternică pentru el. Parametrii standard ai stației ușă videointerfon sunt următorii:

- Adresă IP implicită: 192.0.0.65.
 - Nr. port implicit: 8000.
 - Nume utilizator implicit: admin.
 - Portul dispozitivul și conecția-i la rețea.
- Introduceți adresa IP în bara de adrese a browserului web și faceți clic pe Enter pentru a intra în pagina de activare.

Notă: Calculatorul și dispozitivul trebuie să aparțină aceleiași subrețele.

- Creați o parolă și introduceți-o în câmpul pentru parolă.
- Confirmați parola.
- Faceți clic pe OK pentru a activa dispozitivul.

Notă: Când dispozitivul nu este activat, funcțiile de bază și configurația de la distanță a dispozitivului nu pot fi efectuate.

2 Acces la dispozitiv prin browsere web

1. În bara de adrese a browserului, introduceți adresa IP a dispozitivului și apăsați tasta Enter pentru a intra în pagina de conectare.

2. Introduceți numele de utilizator și parola și faceți clic pe Logare.

3 Comunicați cu stația de interior

Notă: Configurați nr. camerei al stației de interior care este conectată la stația ușă videointerfon pentru viilă. Pentru detalii, consultați Manualul utilizatorului stației de interior videointerfon.

1. Faceți clic pe Setări → Interfon → Apăsăți butonul pentru apelare, pentru a accesa pagina de setări.

2. Setări parametrii.

- Editați numărul de apel pentru fiecare buton.
- Selectați Centrul gestionare apeluri pentru a seta butonul de apelare centrală.

Notă: Dacă selectați Centrul gestionare apeluri și setați totodată și numărul de apel, Centrul gestionare apeluri are prioritate față de numărul de apel.

3. Apăsăți butonul pentru a apela stația de interior.

4 Emitere card

1. Faceți clic pe Setări → Control acces și Control elevator pentru a accesa pagina de setări corespunzătoare.

2. Bifați Emitere card. Prezența cardului în zona de citire carduri.

3. Când eliberarea s-a încheiat, ferestrele vor apărea pe pagina de setări.

- Se acceptă doar cardul Mifare și cardul Mifare cu formă non-standard.
- Până la 256 de carduri pot fi emise și gestionate de stația ușă videointerfon seria V. Se poate auzi un indicator vocal (Nu mai pot fi emise carduri) atunci când numărul de carduri emise depășește limita superioară.

5 Deblocare ușă

După emiterea de carduri, puteți debloca ușa prezentând cardul emis.

★ Consultați manualul de utilizare al stației ușă videointerfon pentru viilă (scanați codul QR) pentru detalii.

ΕΛΛΗΝΙΚΑ

Αναφορές διαγράμματος

1 Εμφάνιση

- | | | | |
|--|---|--|--|
| 1 Μικρόφωνο | 2 Ενδεικτική λυχνία | 3 Κάμερα | 4 Ηχείο |
| 5 Κουμπί | 6 Περιοχή ανάγνωσης καρτών | 7 Υπέρυθρη λυχνία | 8 Θύρα κάρτας Micro SD & Θύρα αντιμετώπισης σφαλμάτων |
| 9 LAN | 10 Τερματικά | | |

Σημείωση: Η Θύρα αντιμετώπισης σφαλμάτων χρησιμοποιείται αποκλειστικά για αντιμετώπιση σφαλμάτων.

Περιγραφή ένδειξης		
Εκκλειδωμά: Πράσινο	Κλήση: Πορτοκαλί	Επικοινωνία: Λευκό

2 Τερματικό και καλωδίωση

NC: Έξοδος αναμετάδοσης κλειδωμάτος πόρτας (NC)	485+ : Διεπαφή RS-485 (Κρατήθηκε)
NO: Έξοδος αναμετάδοσης κλειδωμάτος πόρτας (NO)	485-: Διεπαφή RS-485 (Κρατήθηκε)
COM: Κοινή διεπαφή	12 VDC IN: Είσοδος τροφοδοσίας
AIN1: Για πρόσβαση σε Επαφή πόρτας	GND: Γείωση
AIN2 & AIN4: Κρατήθηκε	LAN: Διασύνδεση δικτύου
AIN3: Για πρόσβαση σε Κουμπί Έξοδου	

3 Βοήθημα εγκατάστασης

- | | |
|--|--|
| 1 Πρότυπο τοποθέτησης | 2 Πλακέτα τοποθέτησης |
|--|--|
- Σημείωση: Οι διαστάσεις της πλακέτας τοποθέτησης είναι 174 mm × 83,66 mm × 18 mm.

4 Εγκατάσταση

Σημείωση: Ο σταθμός πόρτας βίλας ενδοεπικοινωνίας βίντεο υποστηρίζει εντοιχισμένη και επιφανειακή τοποθέτηση. *Πριν ξεκινήσετε:*

- Βεβαιωθείτε ότι όλος ο σχετικός εξοπλισμός είναι απενεργοποιημένος κατά τη διάρκεια της εγκατάστασης.
- Εργαλεία που θα χρειαστείτε για την εγκατάσταση: Τρυπάνι (ø2.846) και αλφάδι.
- Αγοράστε την προστατευτική ασπίδα πριν από την εγκατάσταση.

★ Επιφανειακή τοποθέτηση χωρίς προστατευτική ασπίδα

- Κολλήστε το πρότυπο τοποθέτησης στον τοίχο. Αναίξτε οπές βιδών σύμφωνα με το πρότυπο τοποθέτησης. Αφαιρέστε το πρότυπο από τον τοίχο.
- Ασφαλίστε την πλακέτα τοποθέτησης στον τοίχο με τις 4 παρεχόμενες βίδες, σύμφωνα με τις οπές βιδών.
- Ασφαλίστε τη συσκευή στην πλακέτα τοποθέτησης με τις 4 παρεχόμενες βίδες στερέωσης.
- Στερώστε το κάλυμμα στη συσκευή με τη βίδα.

★ Επιφανειακή τοποθέτηση με προστατευτική ασπίδα

1. Κολλήστε το πρότυπο τοποθέτησης στον τοίχο. Αναίξτε οπές βιδών σύμφωνα με το πρότυπο τοποθέτησης. Αφαιρέστε το πρότυπο από τον τοίχο.

- Ευθυγραμμίστε την προστατευτική ασπίδα με το πρότυπο τοποθέτησης.
- Ασφαλίστε την πλακέτα τοποθέτησης στον τοίχο με τις 4 παρεχόμενες βίδες, σύμφωνα με τις οπές βιδών.
- Ασφαλίστε τη συσκευή στην πλακέτα τοποθέτησης με τις 4 παρεχόμενες βίδες στερέωσης.
- Στερώστε το κάλυμμα στη συσκευή με τη βίδα.

★ Εντοιχισμένη τοποθέτηση χωρίς προστατευτική ασπίδα

1. Κολλήστε το πρότυπο τοποθέτησης στον τοίχο. Αναίξτε την οπή σύμφωνα με το πρότυπο τοποθέτησης. Αφαιρέστε το πρότυπο από τον τοίχο.

- Κολλήστε το πρότεινόμενες διαστάσεις της οπής είναι 175 mm × 84 mm × 19 mm.
- Τοποθετήστε το κουτί στην οπή.
- Εισαγάγετε τη συσκευή στο κουτί. Ασφαλίστε τη συσκευή με τις 4 παρεχόμενες βίδες.
- Στερώστε το κάλυμμα στη συσκευή με τη βίδα.

★ Εντοιχισμένη τοποθέτηση με προστατευτική ασπίδα

1. Κολλήστε το πρότυπο τοποθέτησης στον τοίχο. Αναίξτε την οπή σύμφωνα με το πρότυπο τοποθέτησης. Αφαιρέστε το πρότυπο από τον τοίχο.

- Κολλήστε το προτεινόμενες διαστάσεις της οπής είναι 175 mm × 84 mm × 19 mm.
- Τοποθετήστε το κουτί στην οπή.
- Ευθυγραμμίστε την προστατευτική ασπίδα με το κουτί.
- Εισαγάγετε τη συσκευή στο κουτί. Ασφαλίστε τη συσκευή με τις 4 παρεχόμενες βίδες.
- Στερώστε το κάλυμμα στη συσκευή με τη βίδα.

5 Ρύθμιση παραμέτρων μέσω δικτύου

1 Ενεργοποίηση συσκευής μέσω δικτύου
Αρχικά θα πρέπει να ενεργοποιήστε τη συσκευή, ορίζοντας έναν ισχυρό κωδικό πρόσβασης, προτού τη χρησιμοποιήσετε.

Οι προεπιλεγμένες παράμετροι του σταθμού πόρτας είναι οι εξής:

- Προεπιλεγμένη διεύθυνση IP: 192.0.0.65.
 - Προεπιλεγμένος αρ. θύρας: 8000.
 - Προεπιλεγμένο όνομα χρήστη: admin.
- Ενεργοποιήστε τη συσκευή και συνδέστε τη στο δίκτυο.
 - Πληκτρολογήστε τη διεύθυνση IP στη γραμμή διευθύνσεων του προγράμματος περιήγησης στο δίκτυο και κάντε κλικ στο Enter για να εισέλθετε στη σελίδα ενεργοποίησης.

Σημείωση: Ο υπολογιστής και η συσκευή πρέπει να ανήκουν στο ίδιο υποδίκτυο.

3. Πληκτρολογήστε και πληκτρολογήστε έναν κωδικό πρόσβασης στο πεδίο κωδικού πρόσβασης.

5. Κάντε κλικ στο OK για να ενεργοποιήσετε τη συσκευή.
Σημείωση: Όταν η συσκευή δεν είναι ενεργοποιημένη, δεν μπορούν να πραγματοποιηθούν η βασική λειτουργία και η απομακρυσμένη ρύθμιση παραμέτρων της συσκευής.

2 Πρόσβαση στη συσκευή μέσω προγραμμάτων περιήγησης στο δίκτυο

1. Στη γραμμή διευθύνσεων του προγράμματος περιήγησης, πληκτρολογήστε τη διεύθυνση IP της συσκευής και πατήστε το πλήκτρο Enter για να εισέλθετε στη σελίδα εισόδου.

2. Πληκτρολογήστε το όνομα χρήστη και τον κωδικό πρόσβασης και κάντε κλικ στην επιλογή «Είσοδος».

3 Επικοινωνία με εσωτερικό σταθμό

Σημείωση: Ρυθμίστε τον αρ. θυατρίου του εσωτερικού σταθμού, ο οποίος είναι συνδεδεμένος με τον σταθμό πόρτας βίλας. Για λεπτομέρειες, ανατρέξτε στο Εγχειρίδιο χρήσης Εσωτερικού σταθμού ενδοεπικοινωνίας βίντεο.

1. Κάντε κλικ στο Ρυθμίσεις → Πατήστε το κουμπί για κλήση, για να εισέλθετε στη σελίδα ρυθμίσεων.

2. Ορίστε τις παραμέτρους.

- Επεξεργαστείτε τον αρ. κλήσης για κάθε κουμπί.
- Επιλέξτε το Κέντρο διαχείρισης κλήσεων για να ορίσετε το κέντρο κλήσεων κουμπιών.

Σημείωση: Εάν επιλέξετε το κέντρο διαχείρισης κλήσεων και ορίσετε τον αρ. κλήσης, το κέντρο διαχείρισης κλήσεων θα έχει υπηλόθετο πρόνομα από τον αρ. κλήσης.

3. Πατήστε το κουμπί για κλήση του εσωτερικού σταθμού.

4 Έκδοση κάρτας

1. Κάντε κλικ στο Ρυθμίσεις → Έλεγχος πρόσβασης και Έλεγχος ανελκυστήρα για να εισέλθετε στην αντίστοιχη σελίδα ρυθίσεων.

2. Κάντε κ