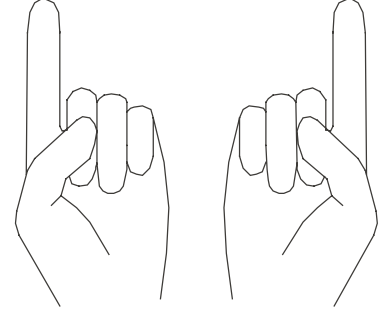

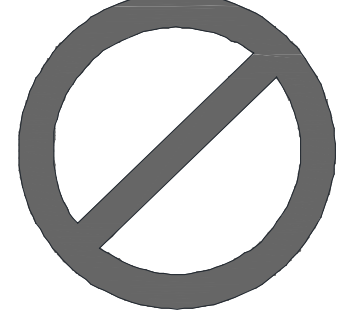


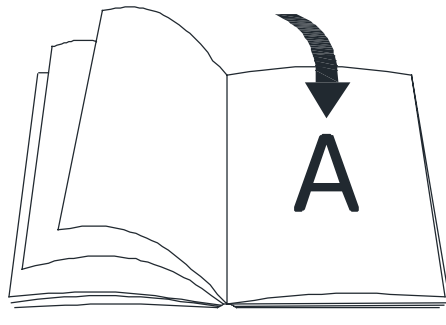
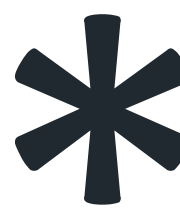
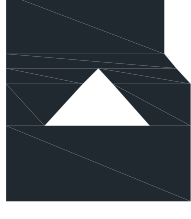
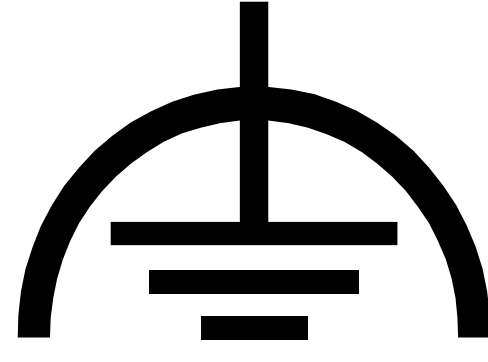
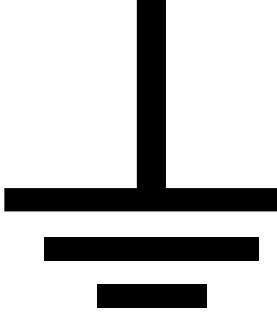
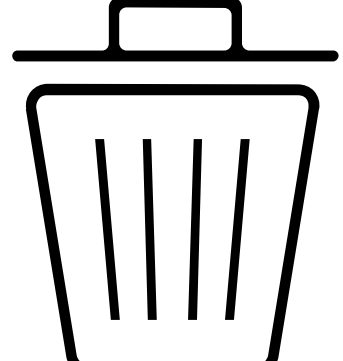


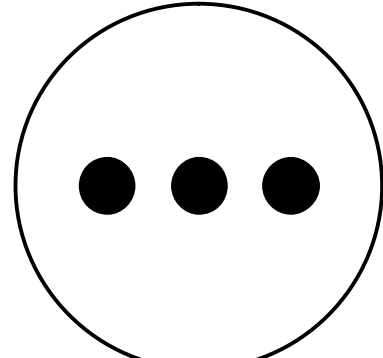

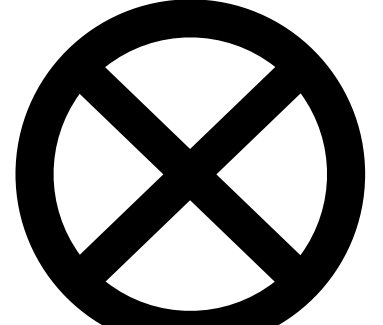
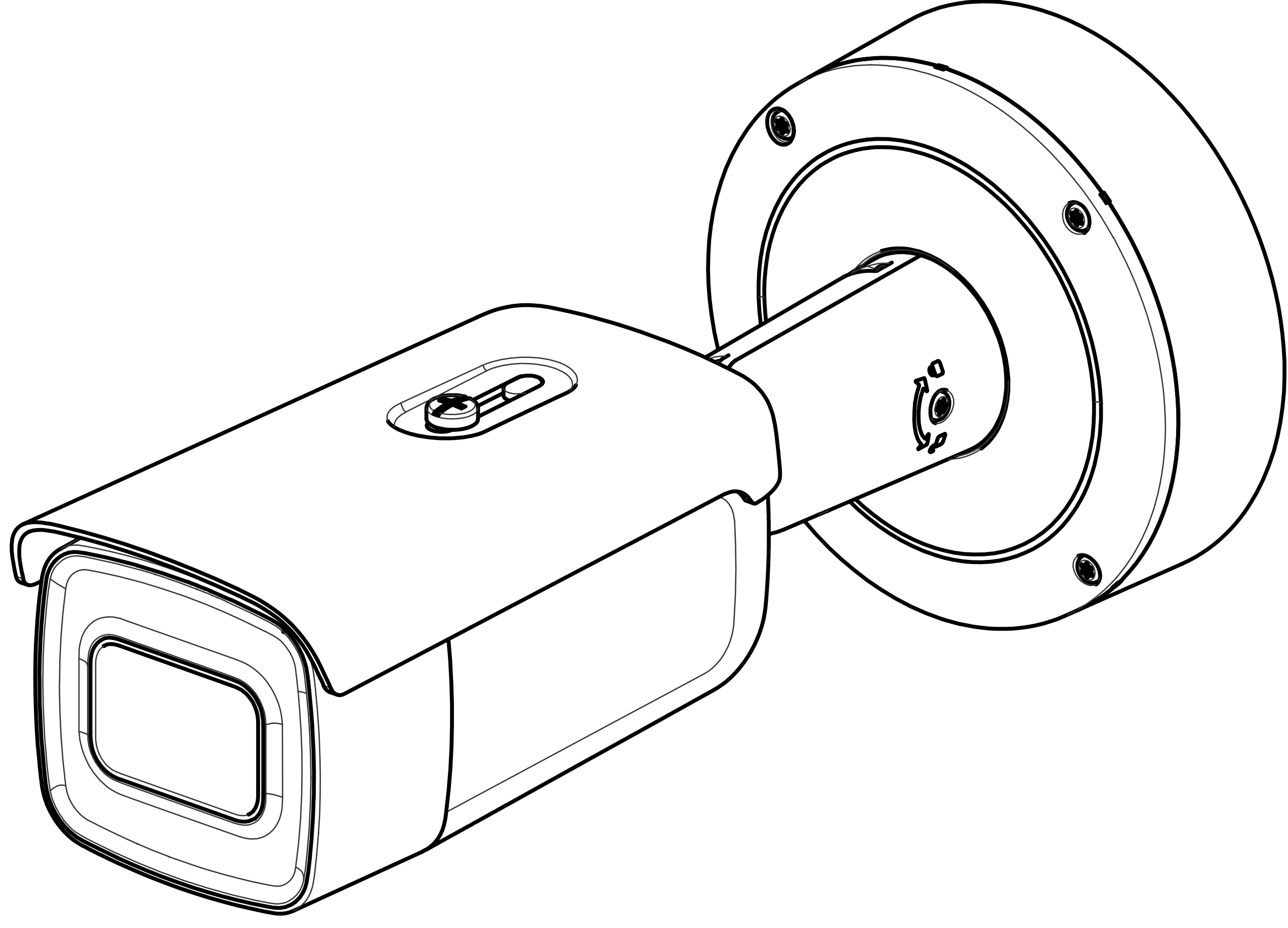


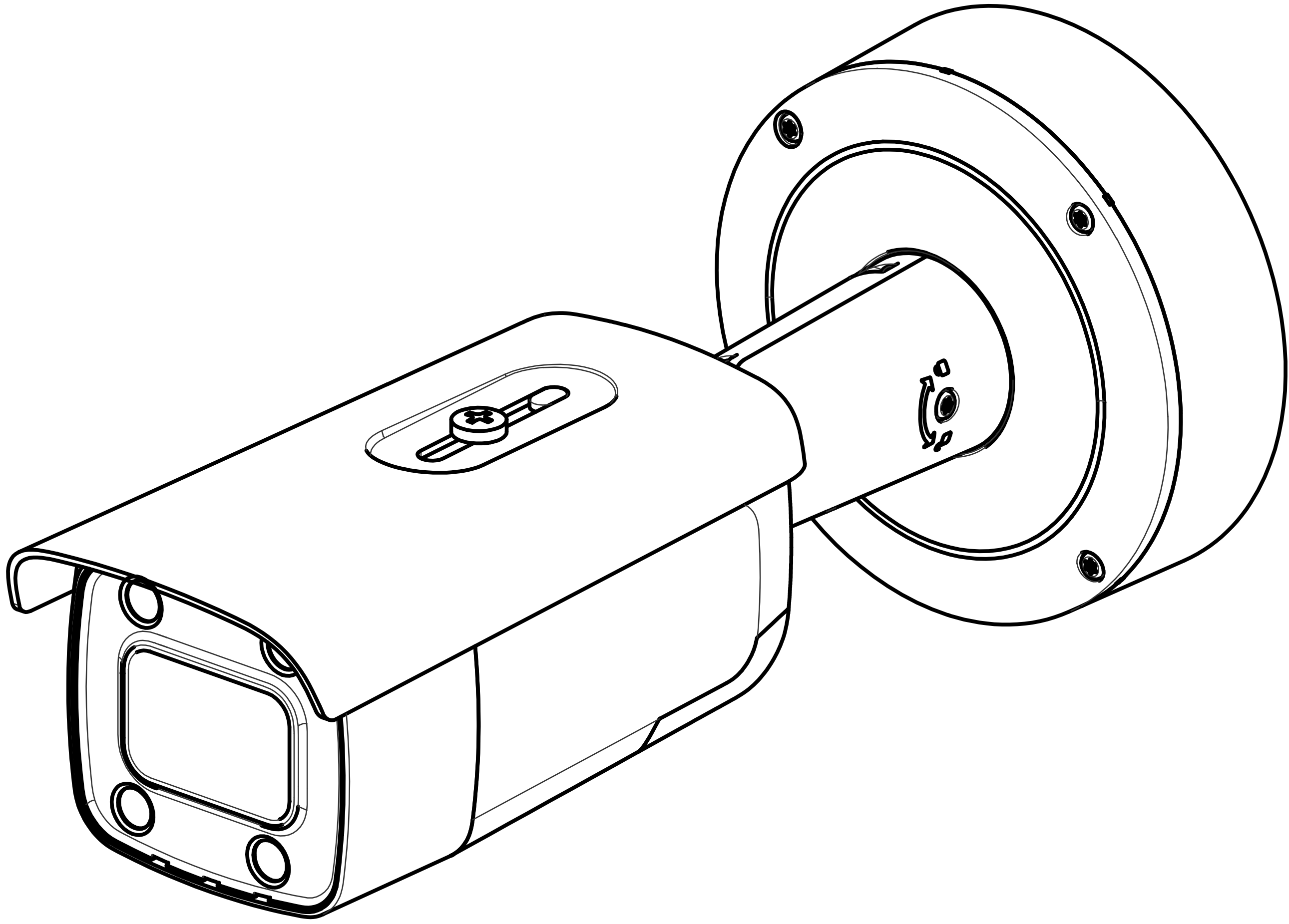
Symbols and Marks

	Notice
	Warning
	Forbidden
	Correct
	Incorrect
	Turn to page A and continue.
	i. Not necessarily included accessory. ii. Variable accessory amount. iii. Skip this step if not required.
microSD 	microSD card
	Grounding
	Function Grounding
	Disposal
	Purchase separately
	Other situations
	Other situations omitted
	Waterproof
	Skip this step if not necessary

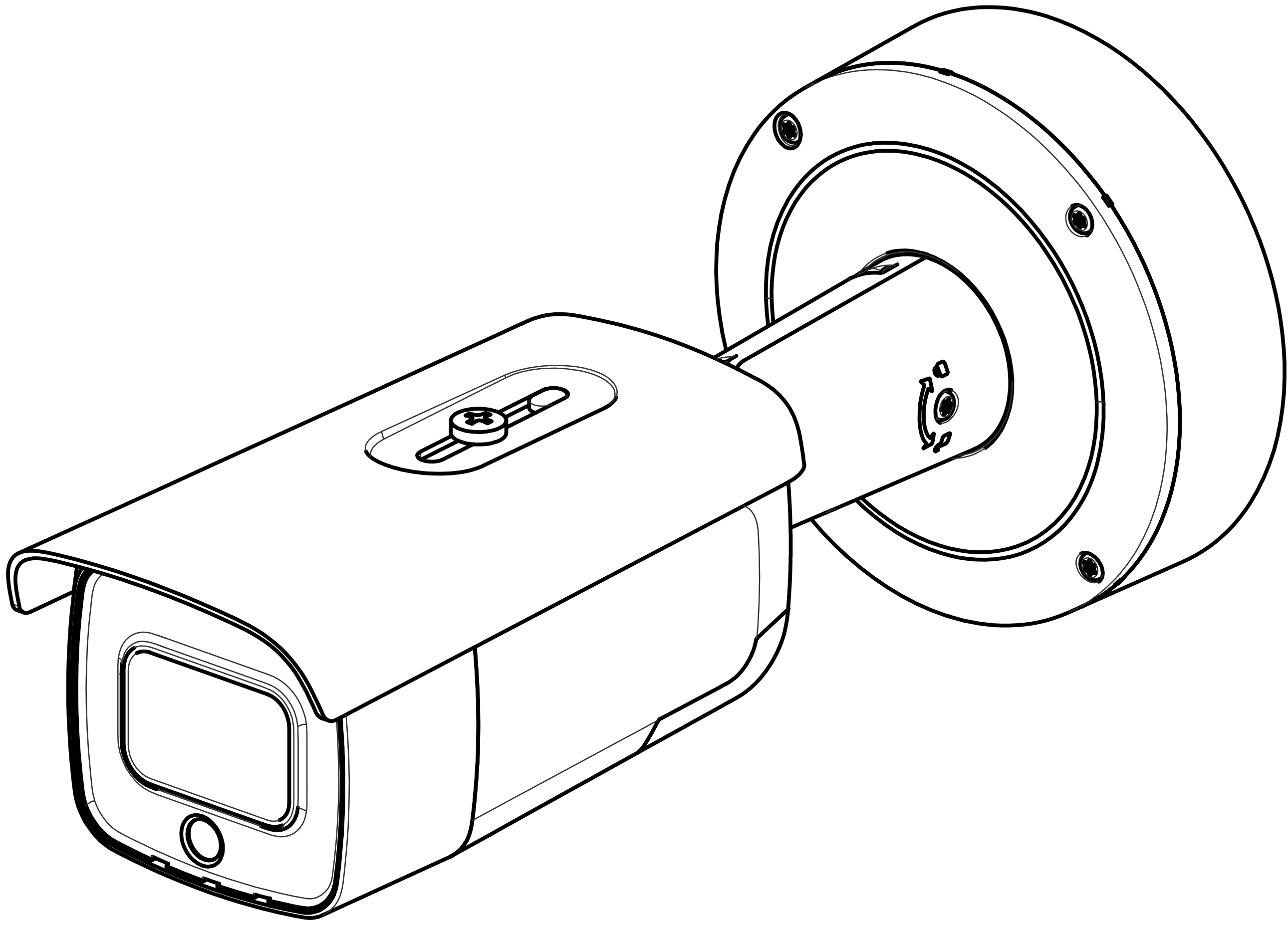
1.



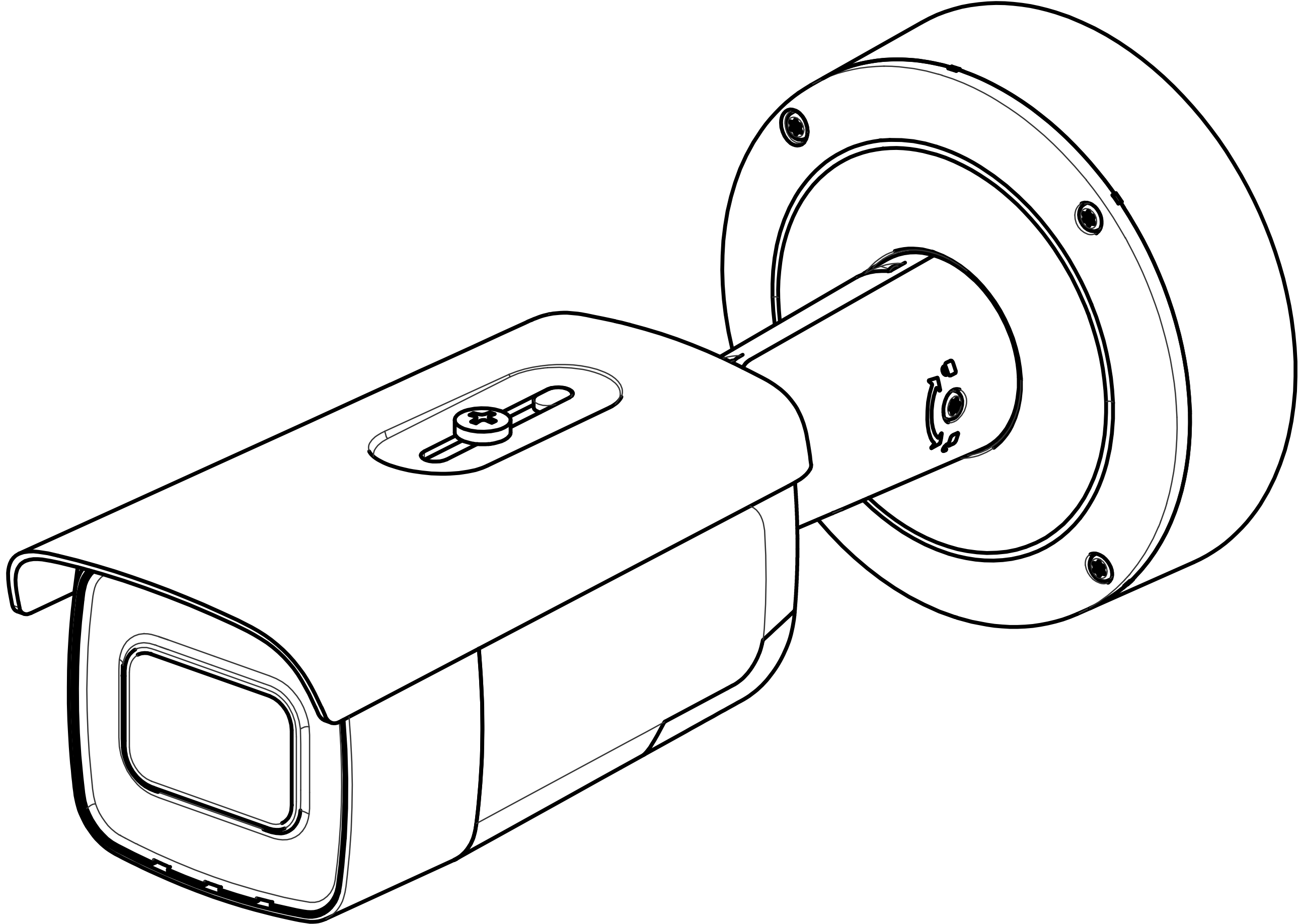
2.

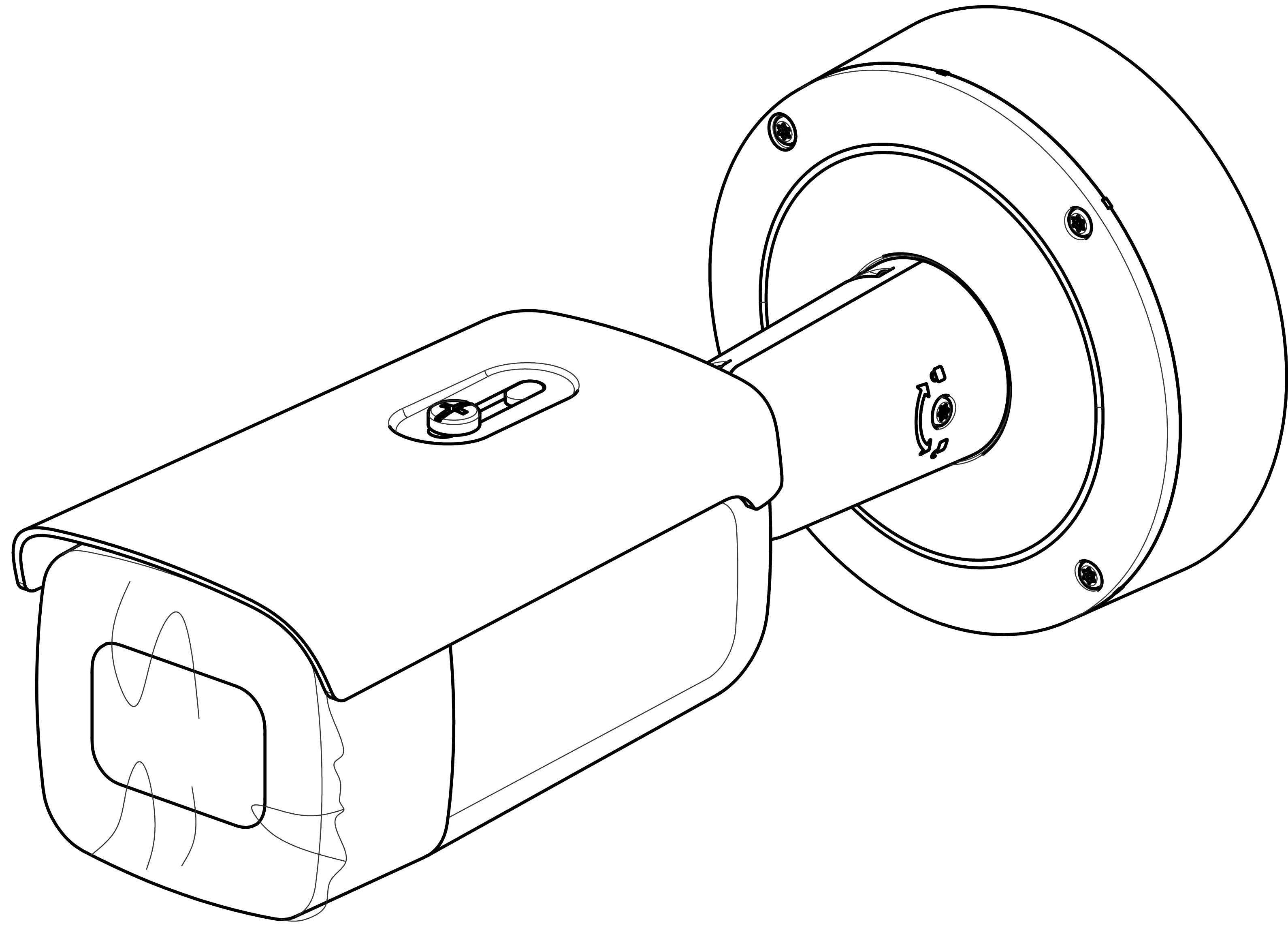


3.

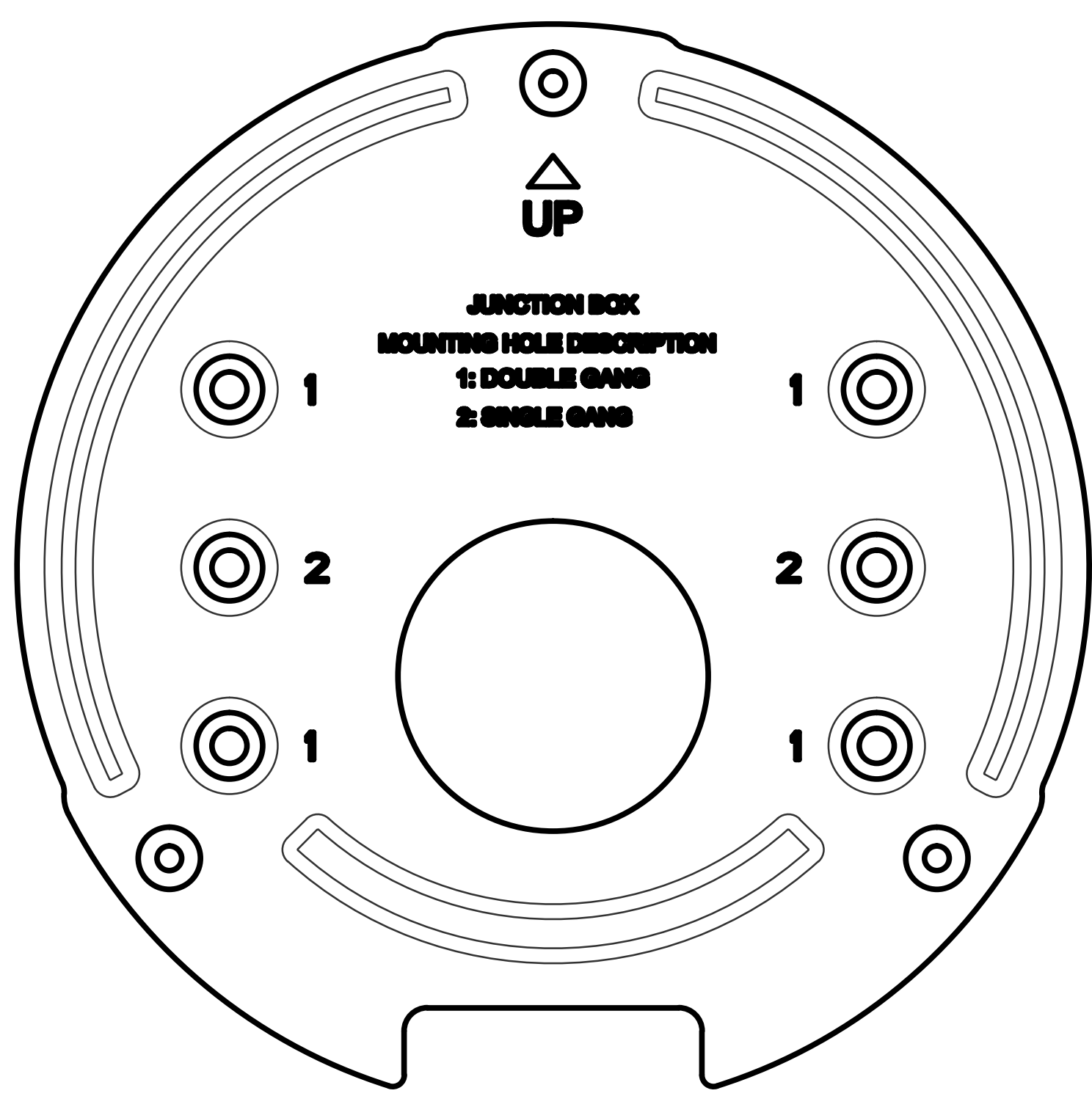


4.

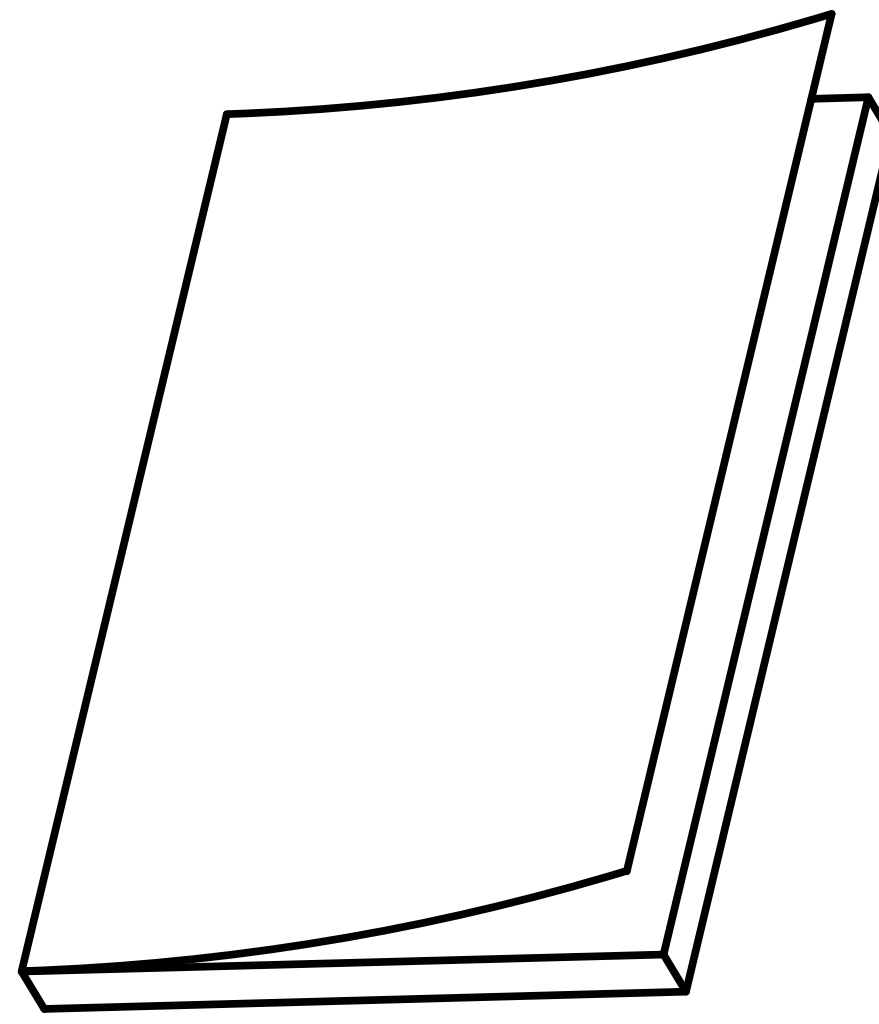




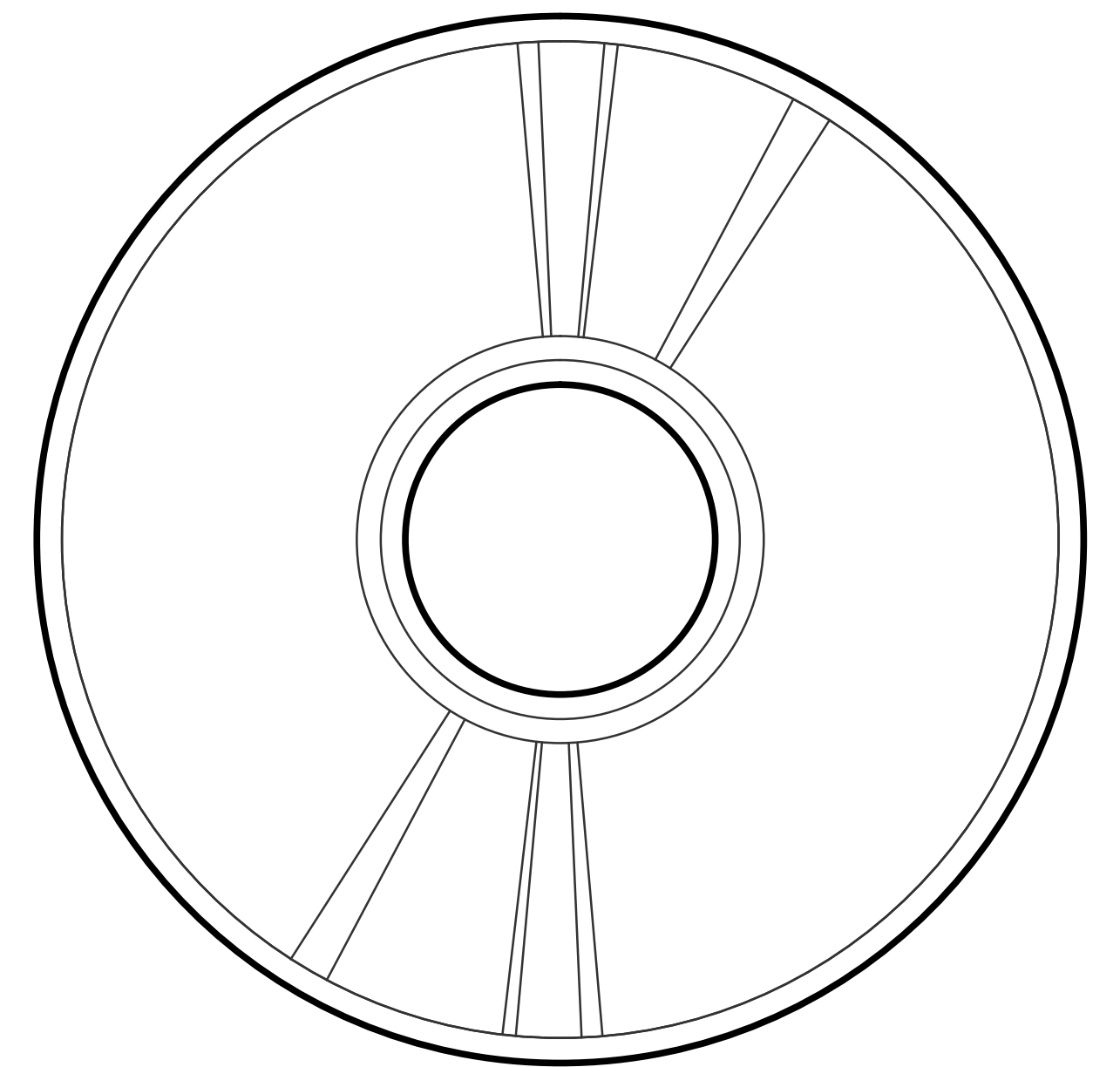
1x



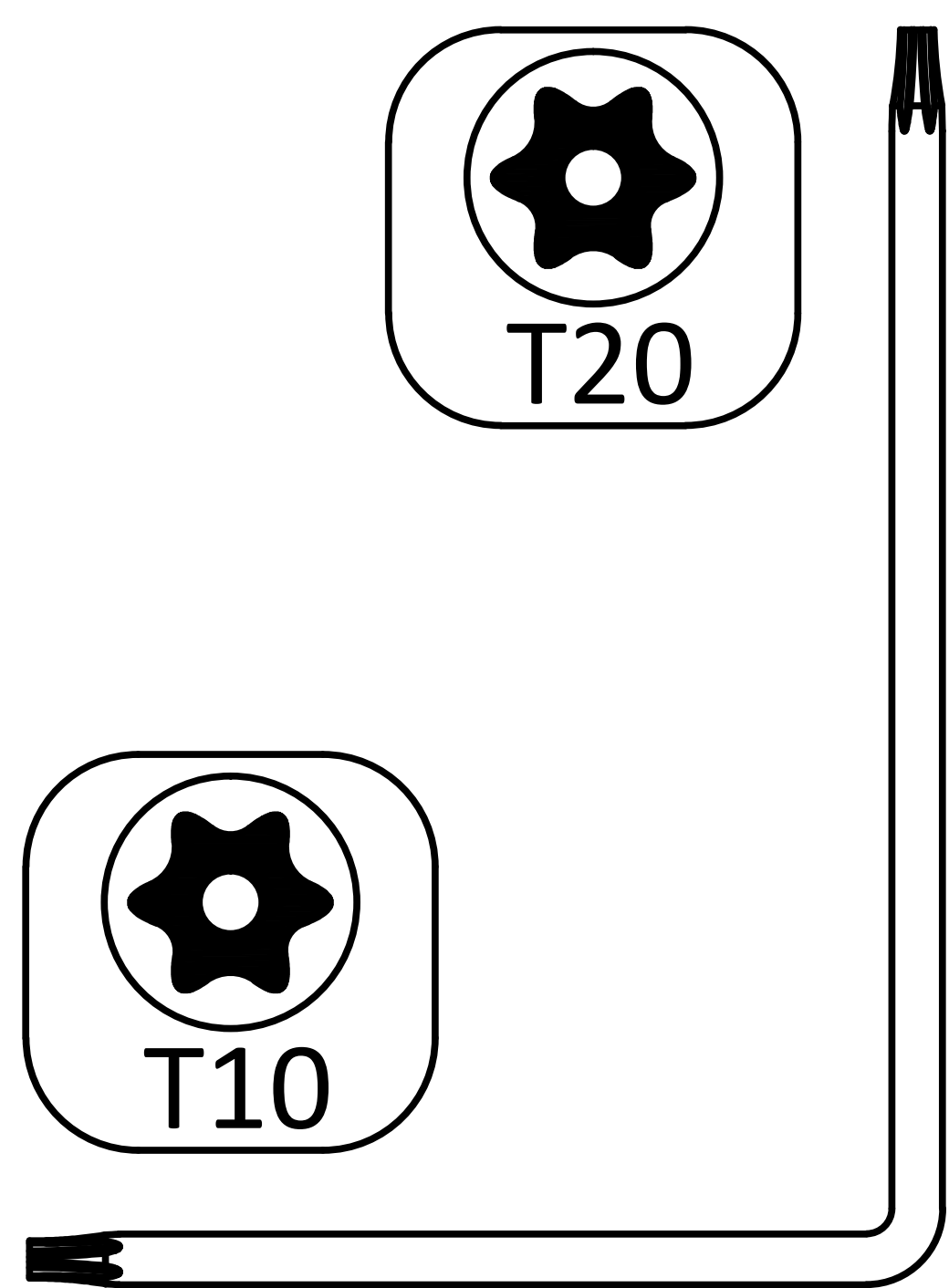
1x



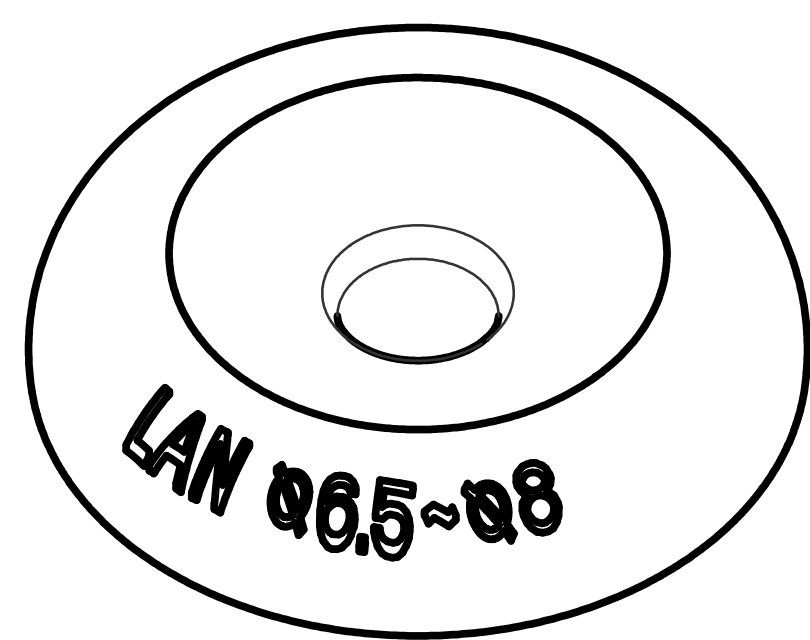
2x*



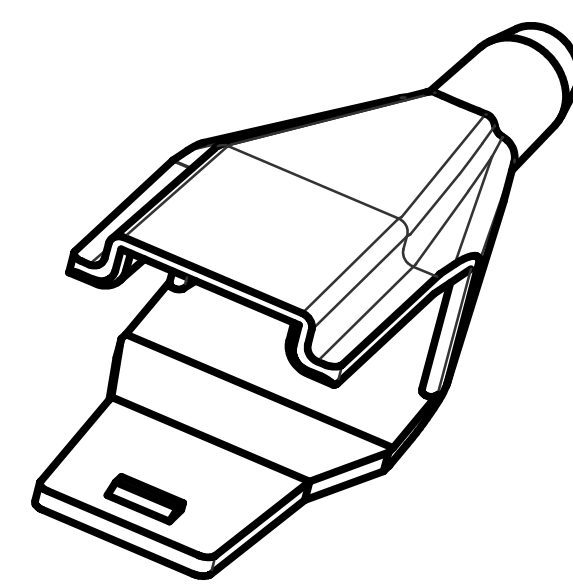
1x*



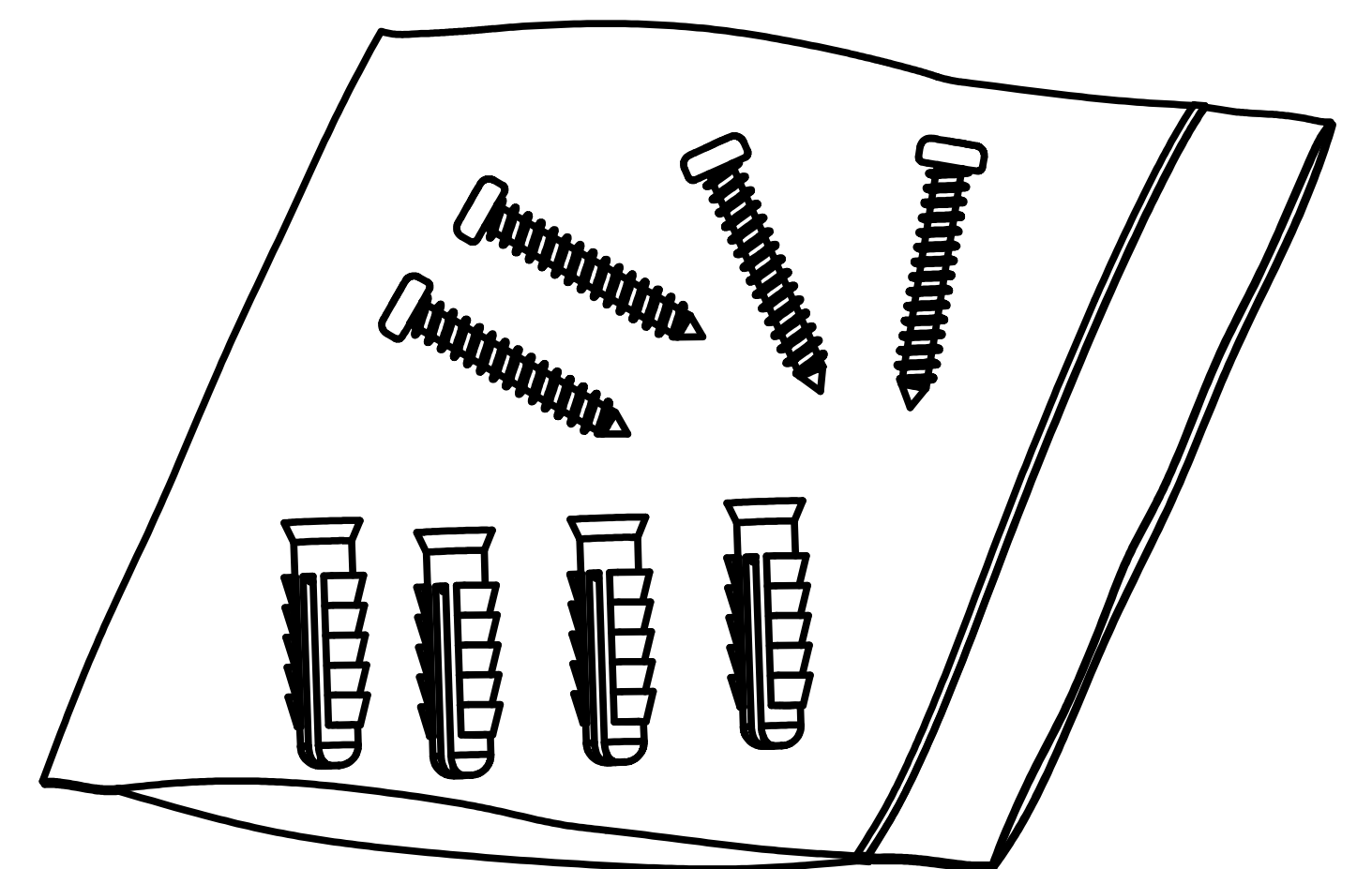
1x



1x



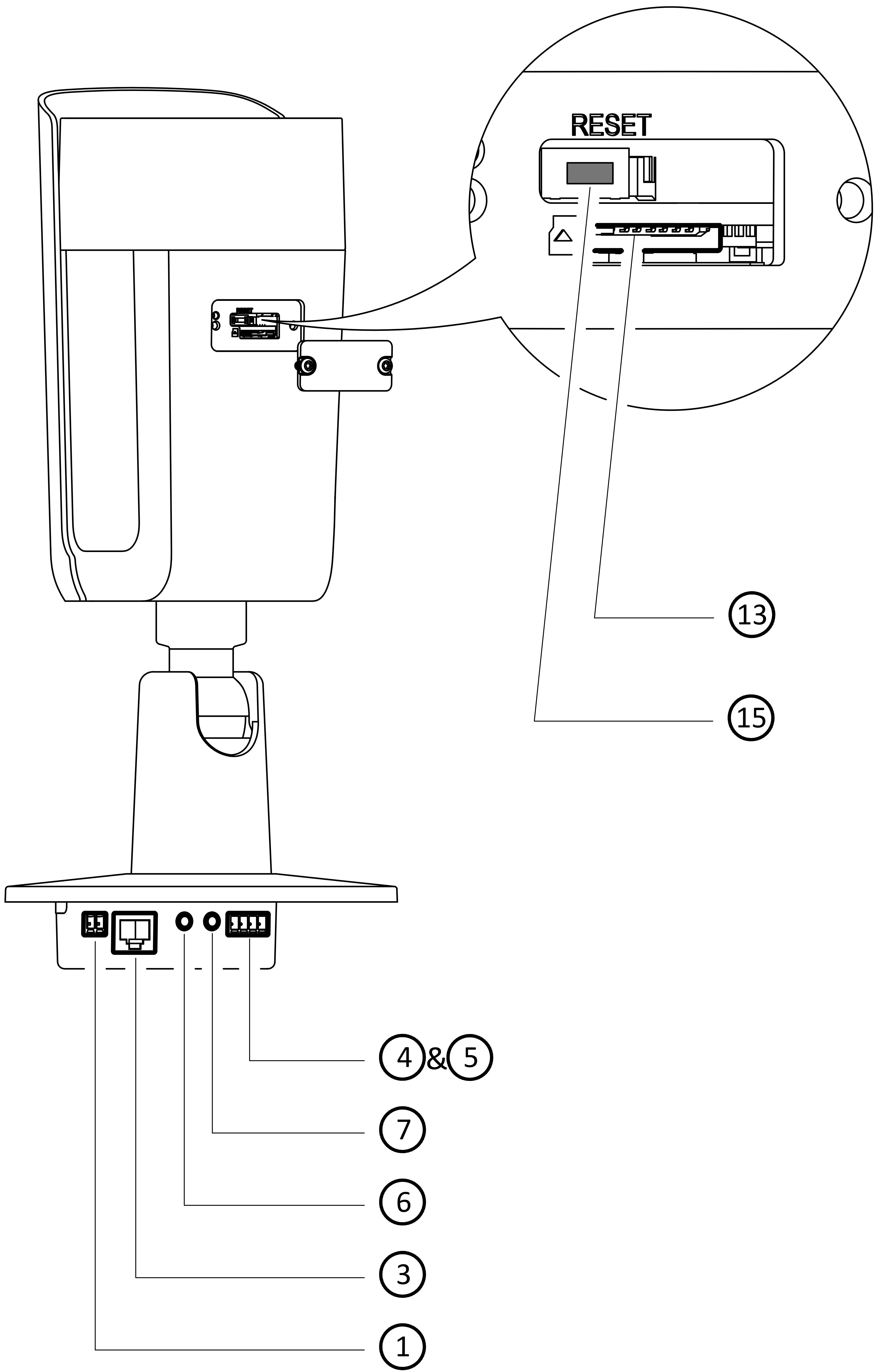
1x



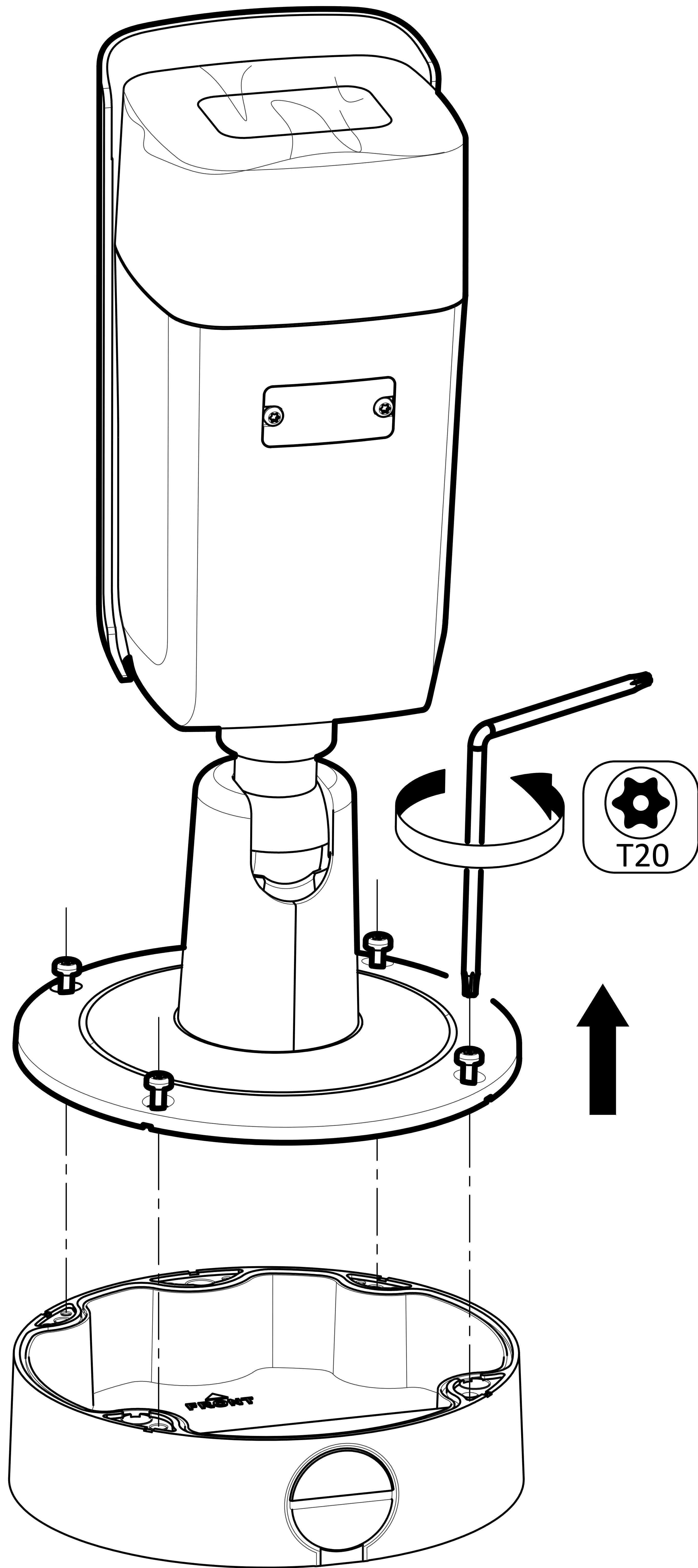
1x

Interface Introduction

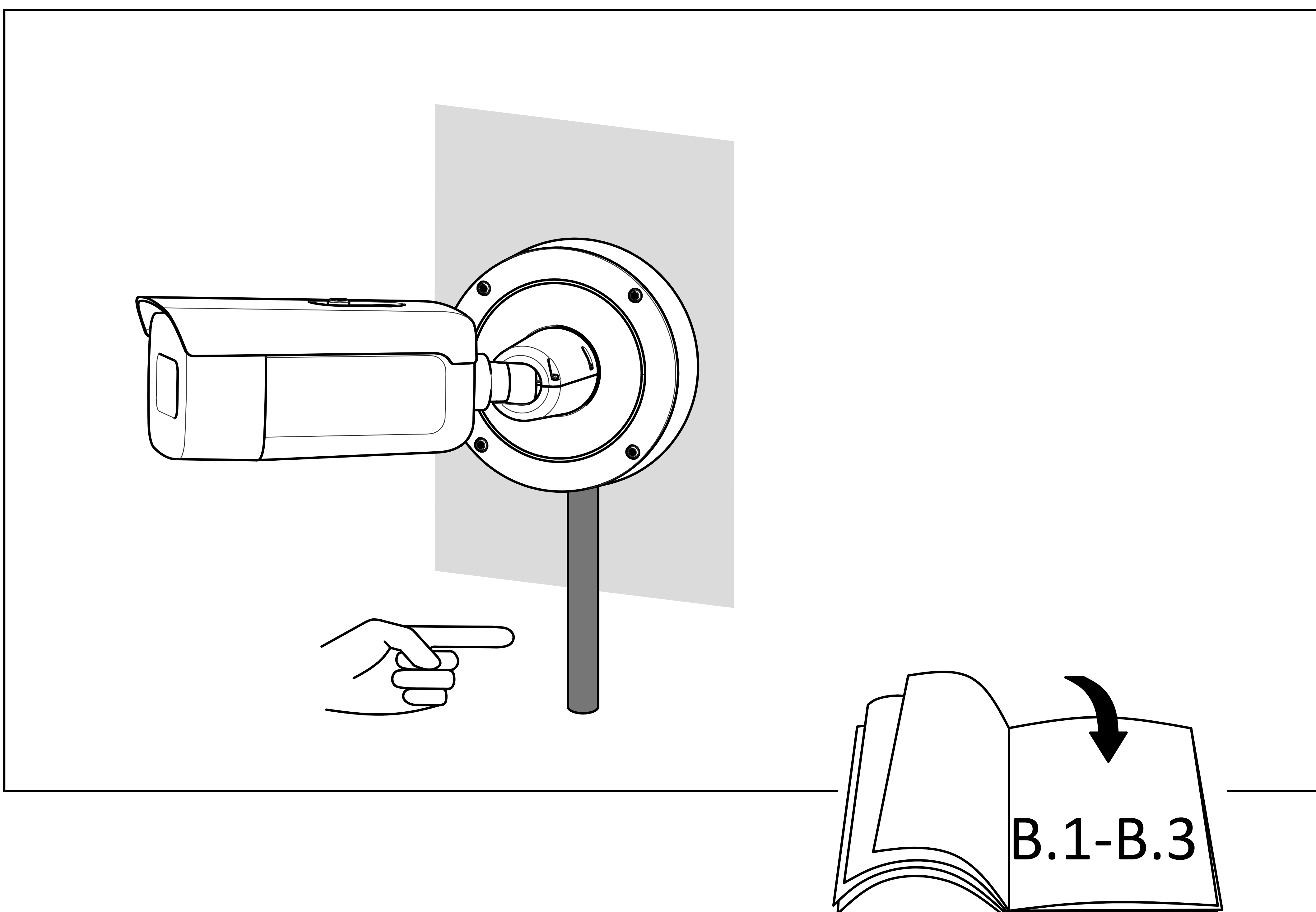
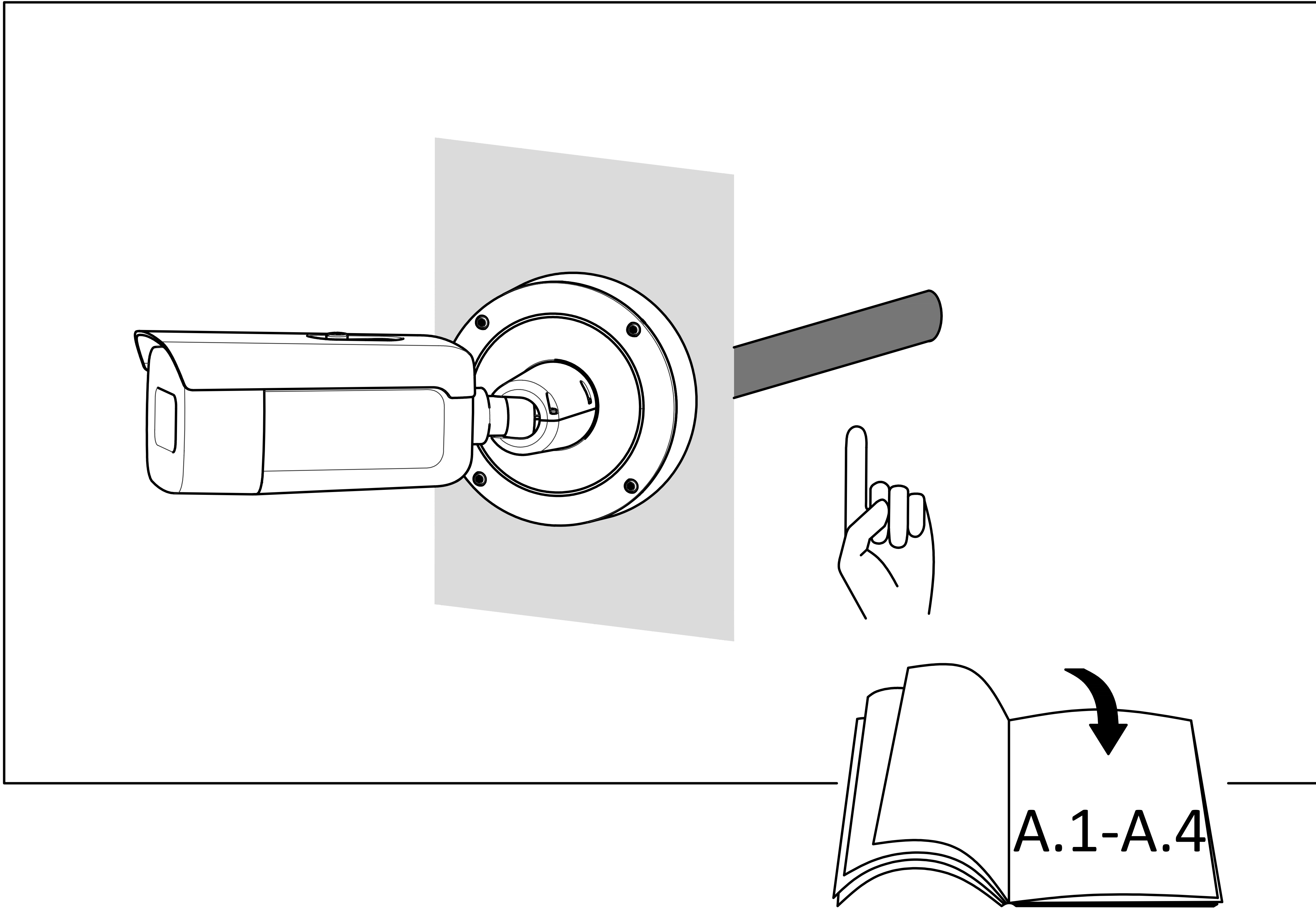
1	Power input interface	13	SD card slot
2	Power output interface	14	SIM card slot
3	Network interface	15	Reset button
4	Alarm input interface	16	Fiber optical interface
5	Alarm output interface	17	Heater
6	Audio input interface	18	USB
7	Audio output interface	19	Antenna
8	Built-in microphone	20	RS-485
9	Built-in speaker	21	RS-232
10	BNC/CVBS interface	22	ABF
11	HDMI interface	23	Grounding
12	SDI interface	24	Wiegand interface



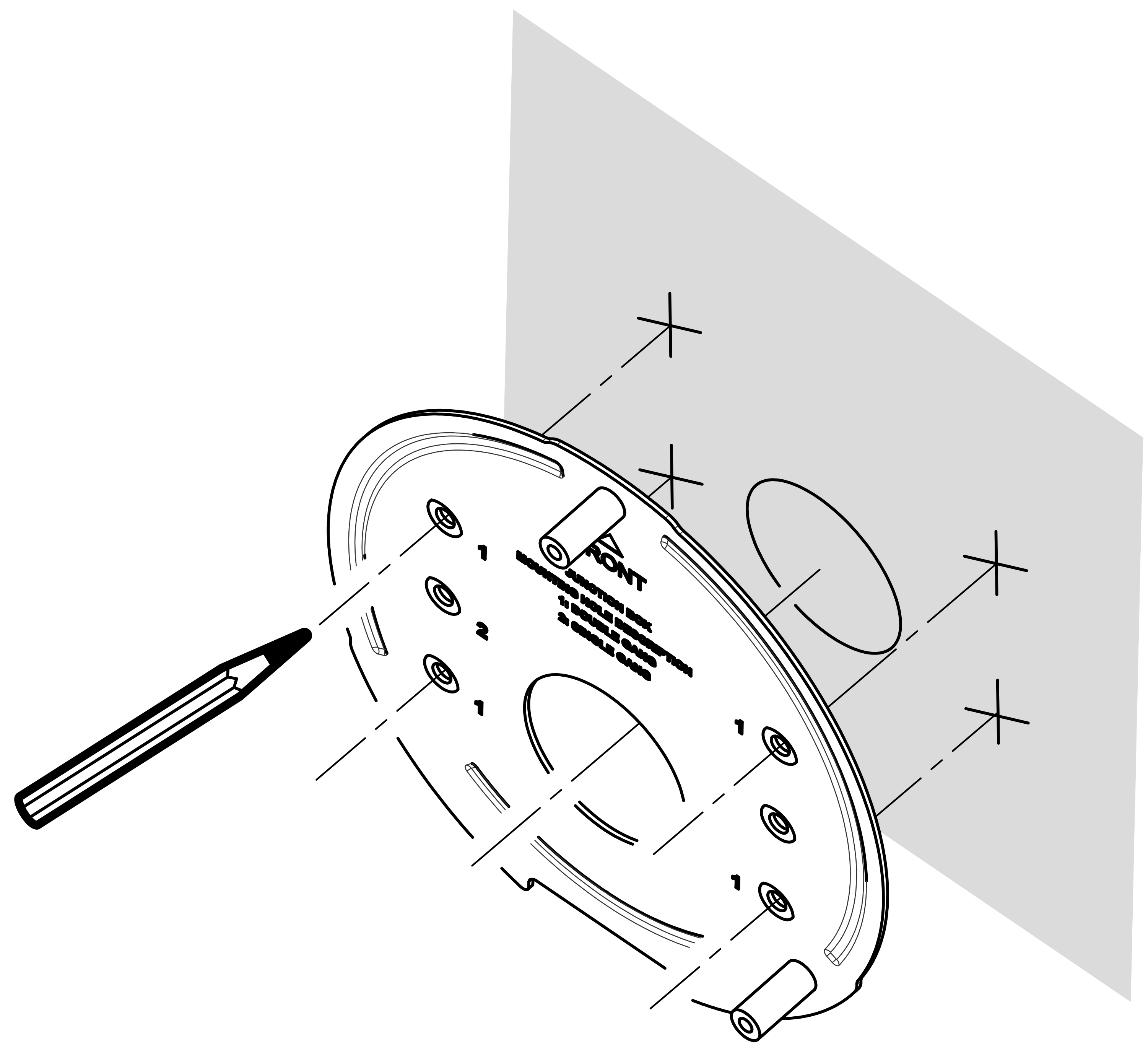
1.1



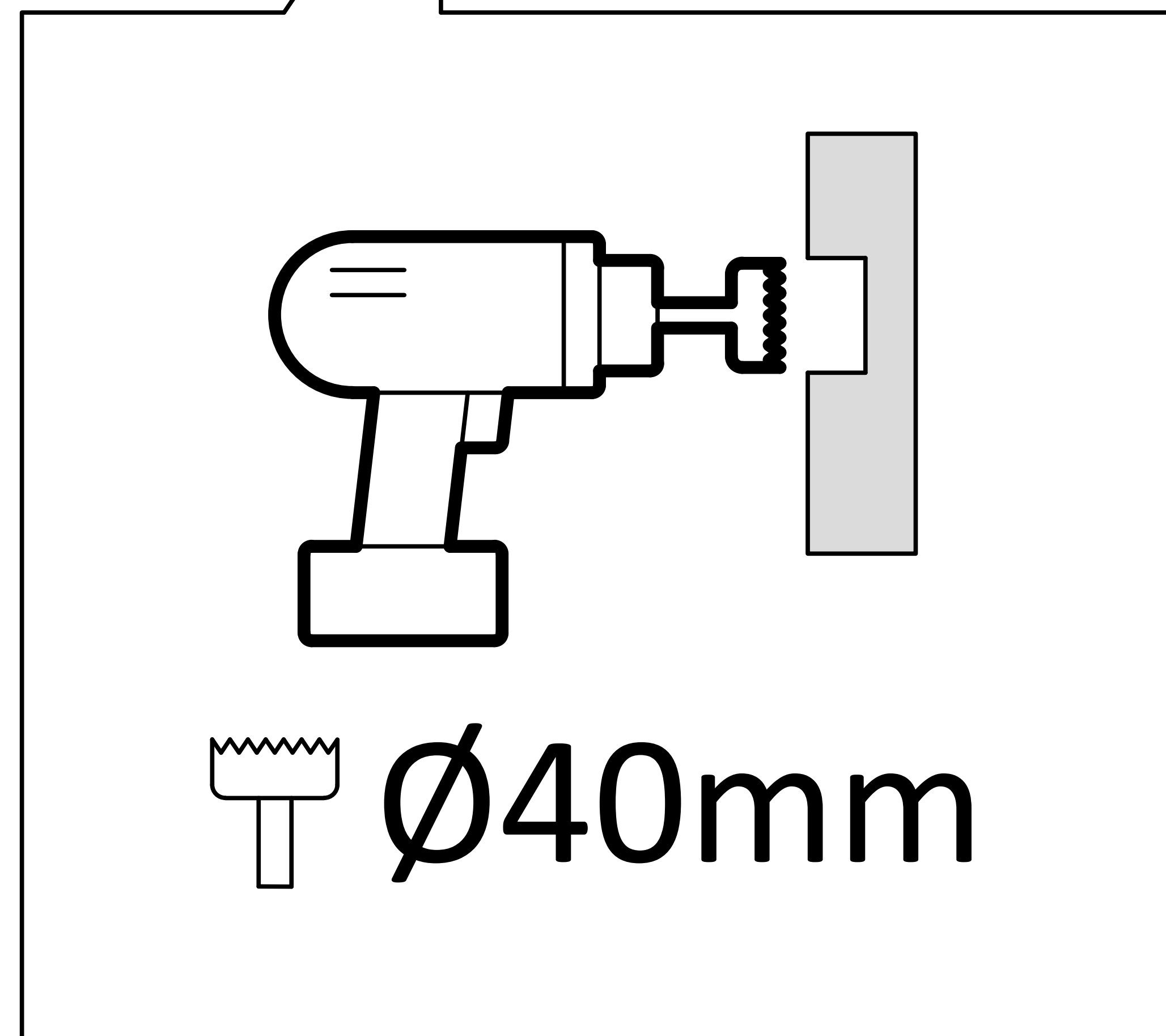
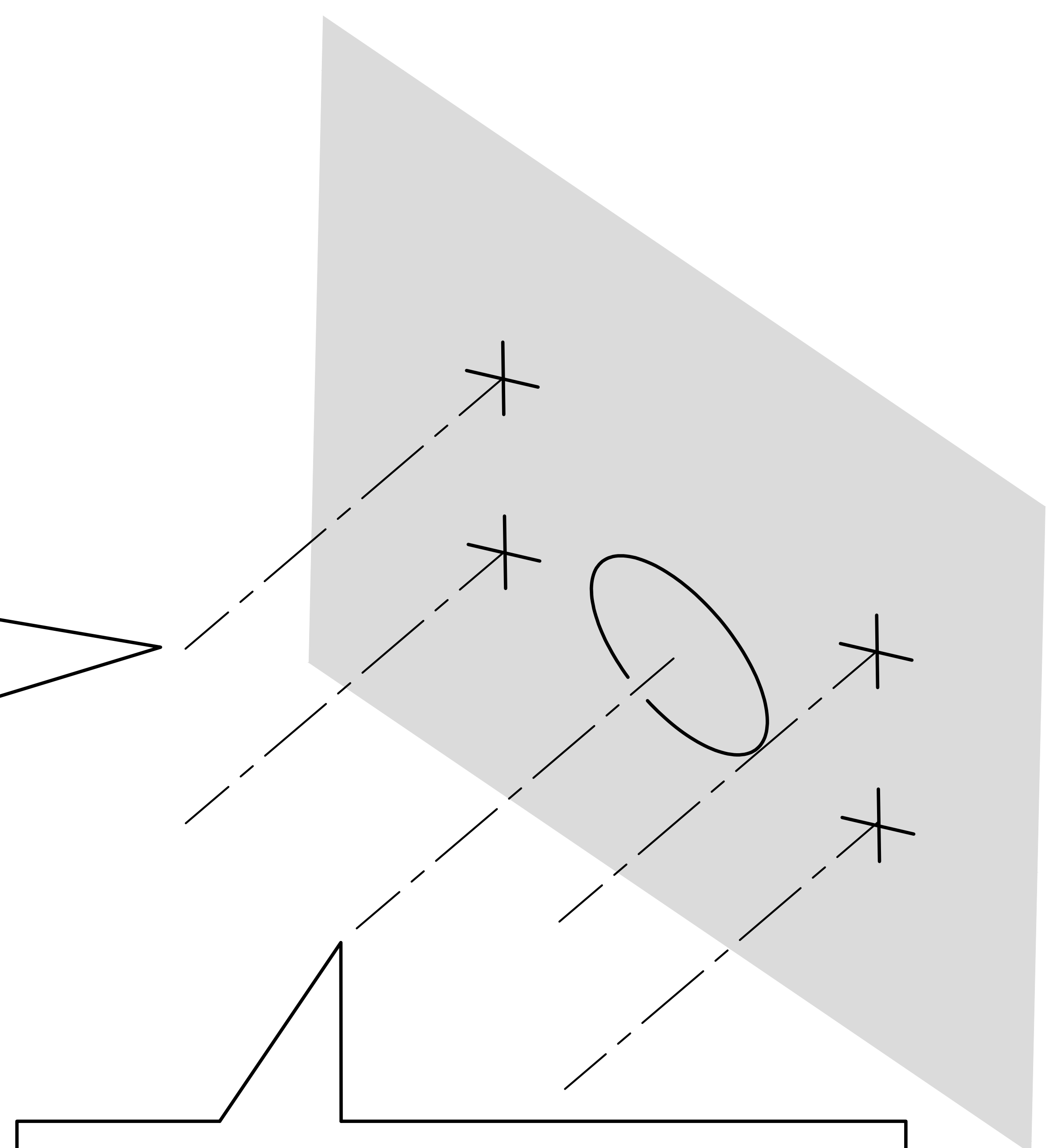
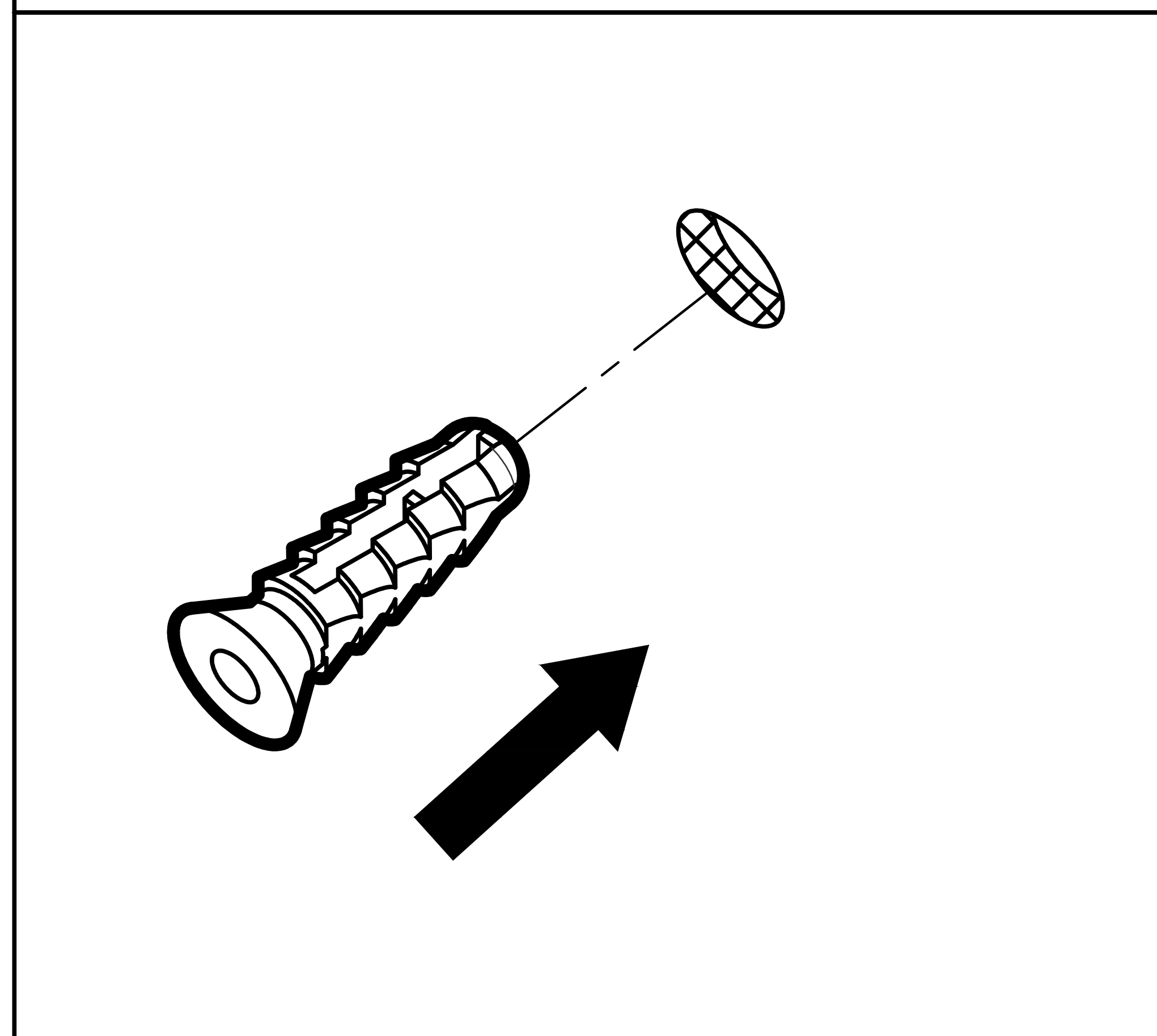
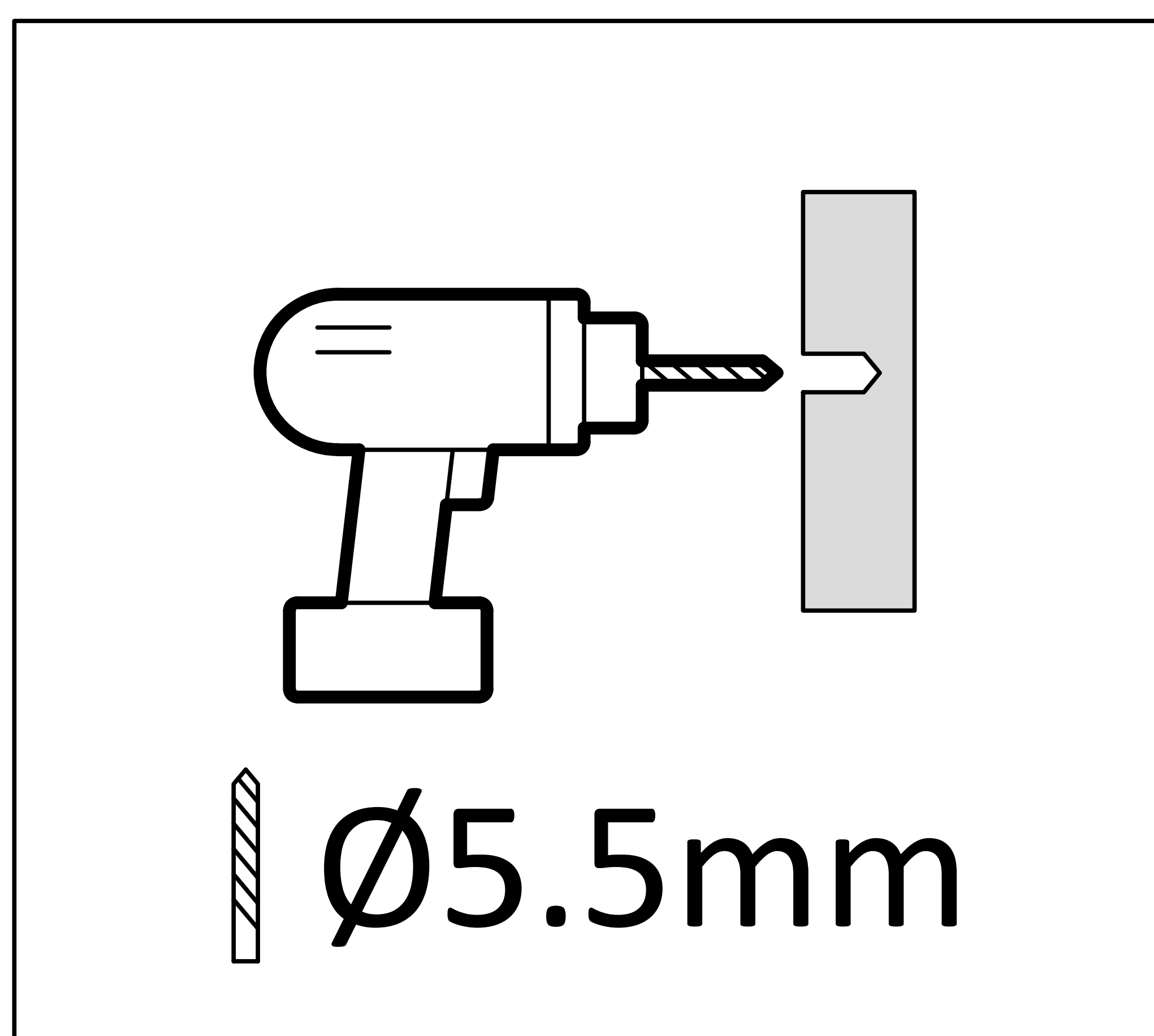
2.1



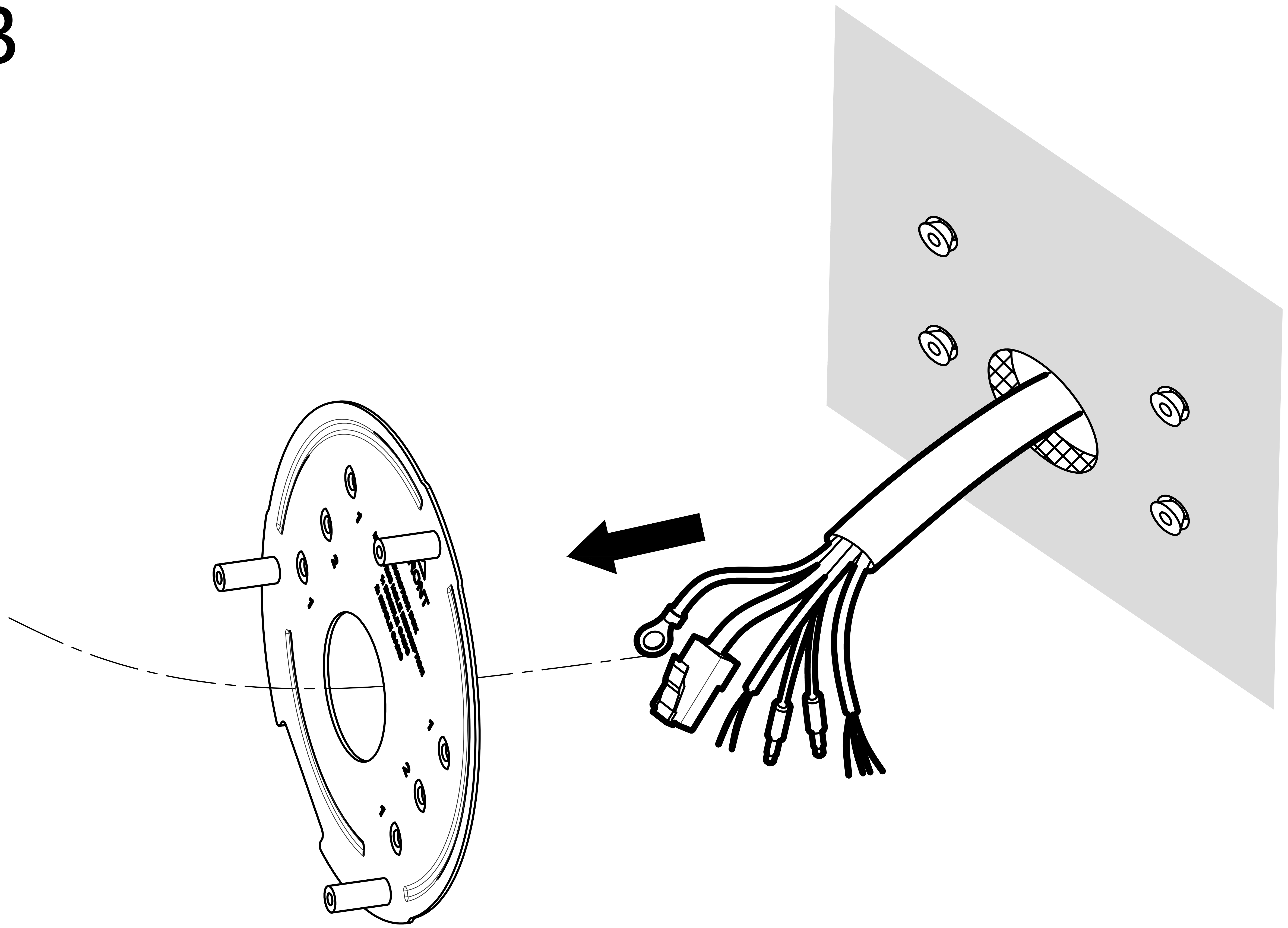
A.1



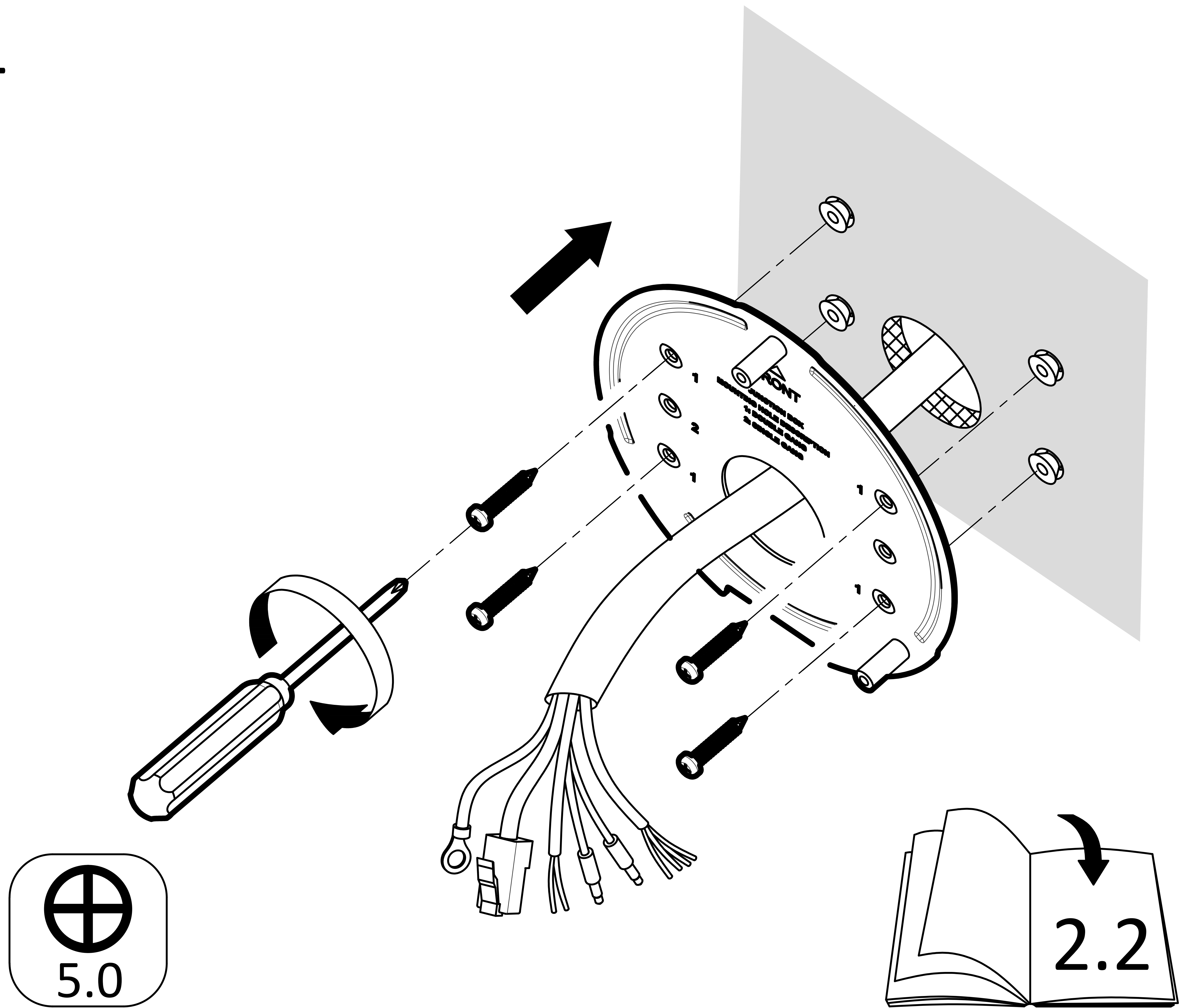
A.2



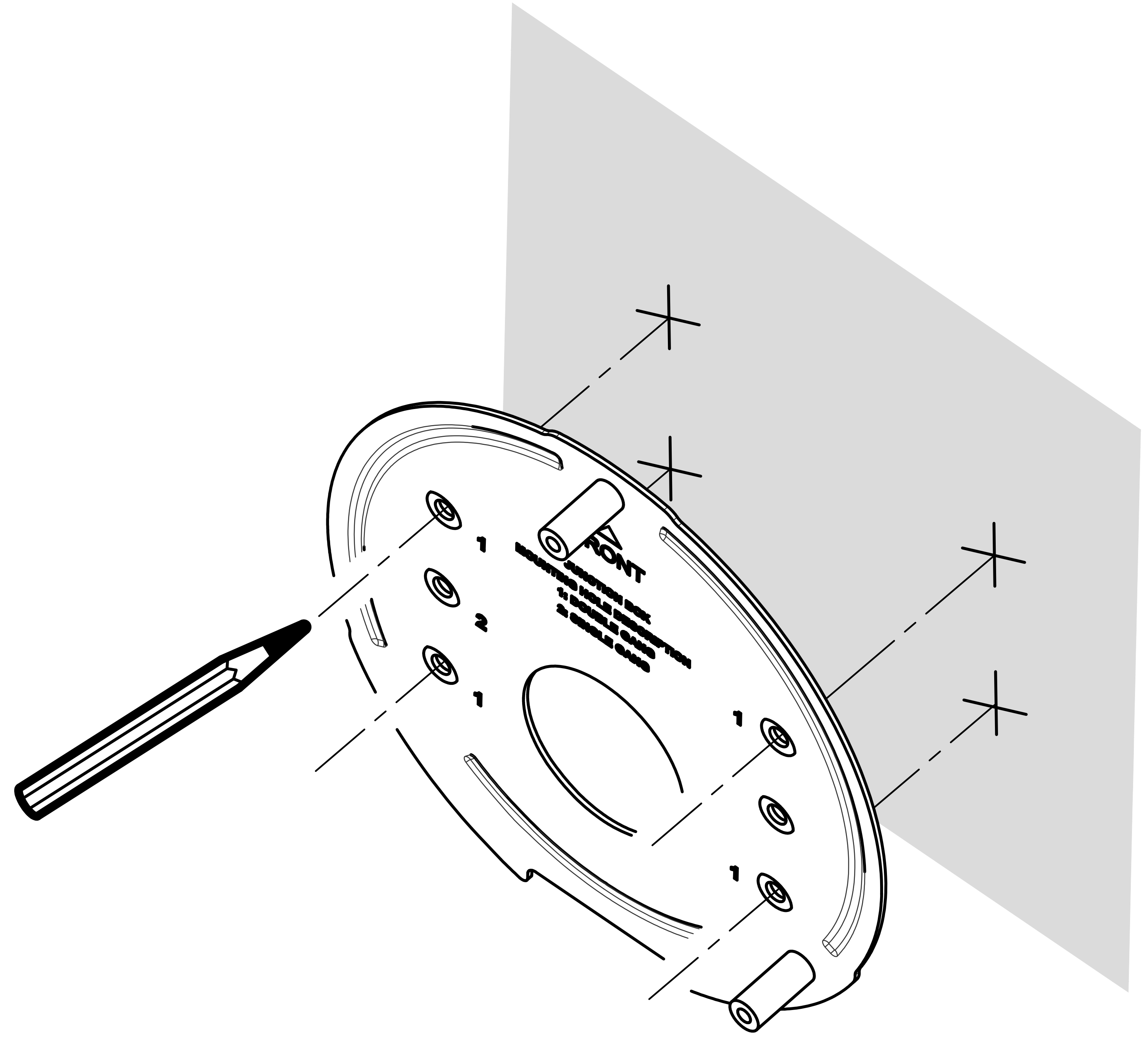
A.3



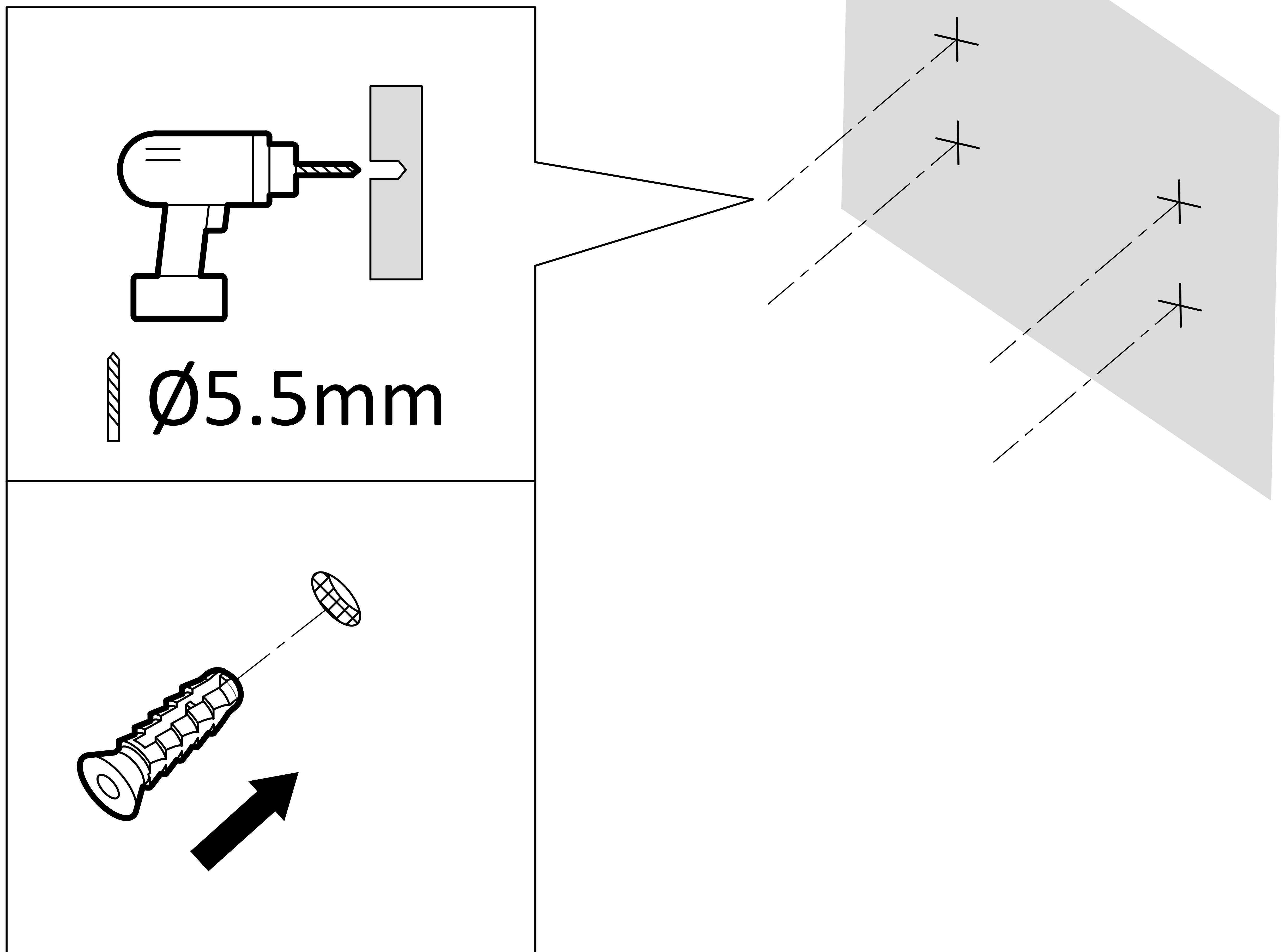
A.4



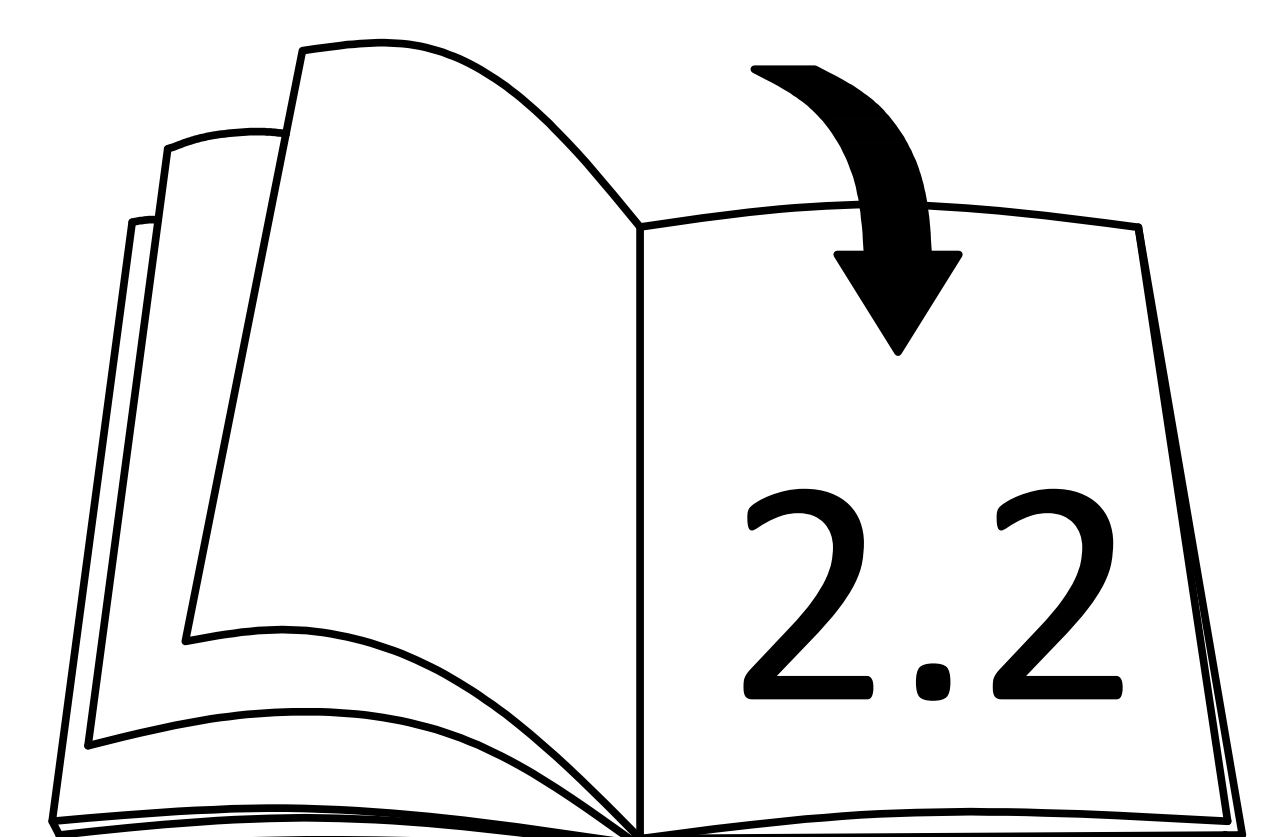
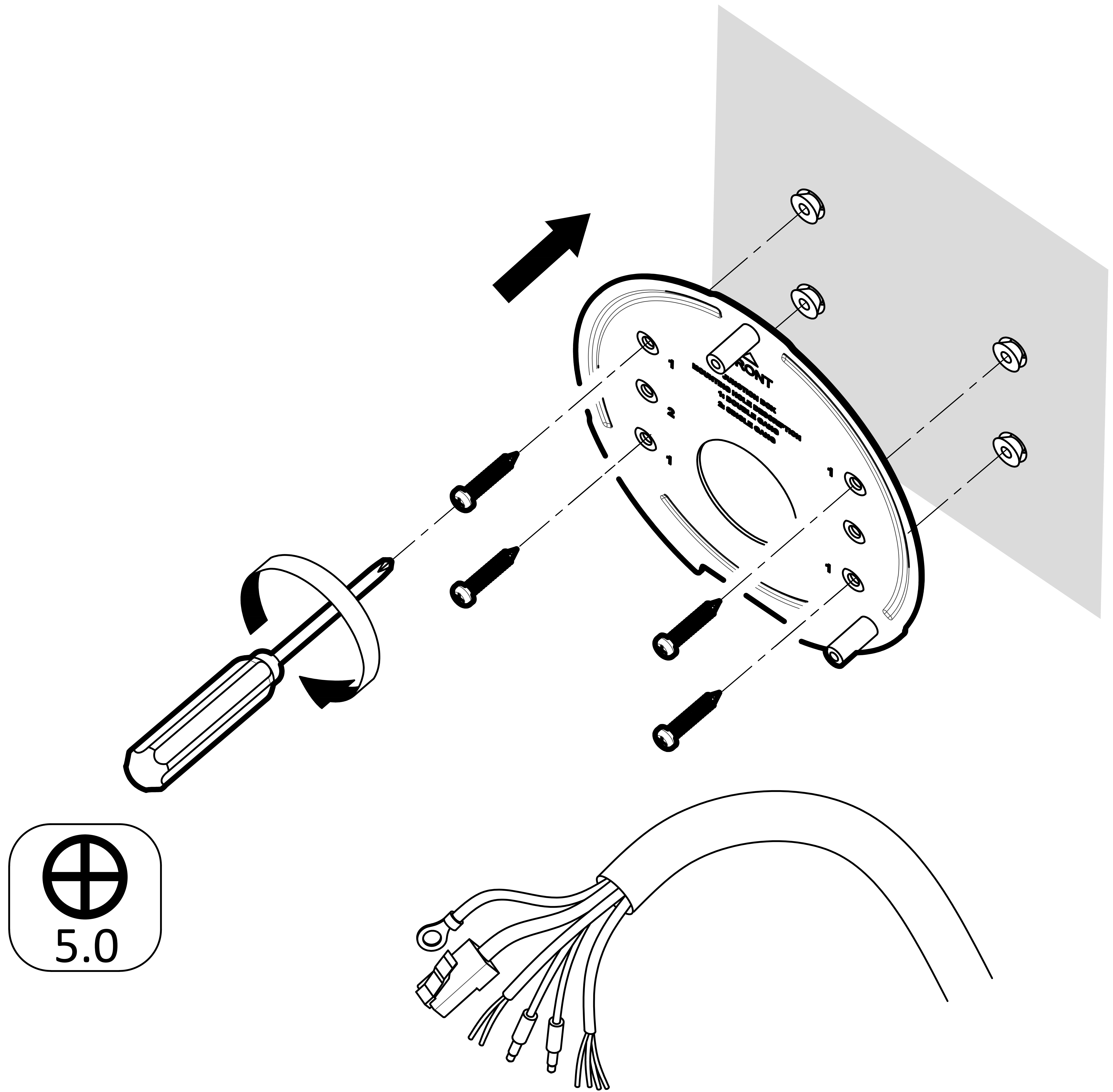
B.1



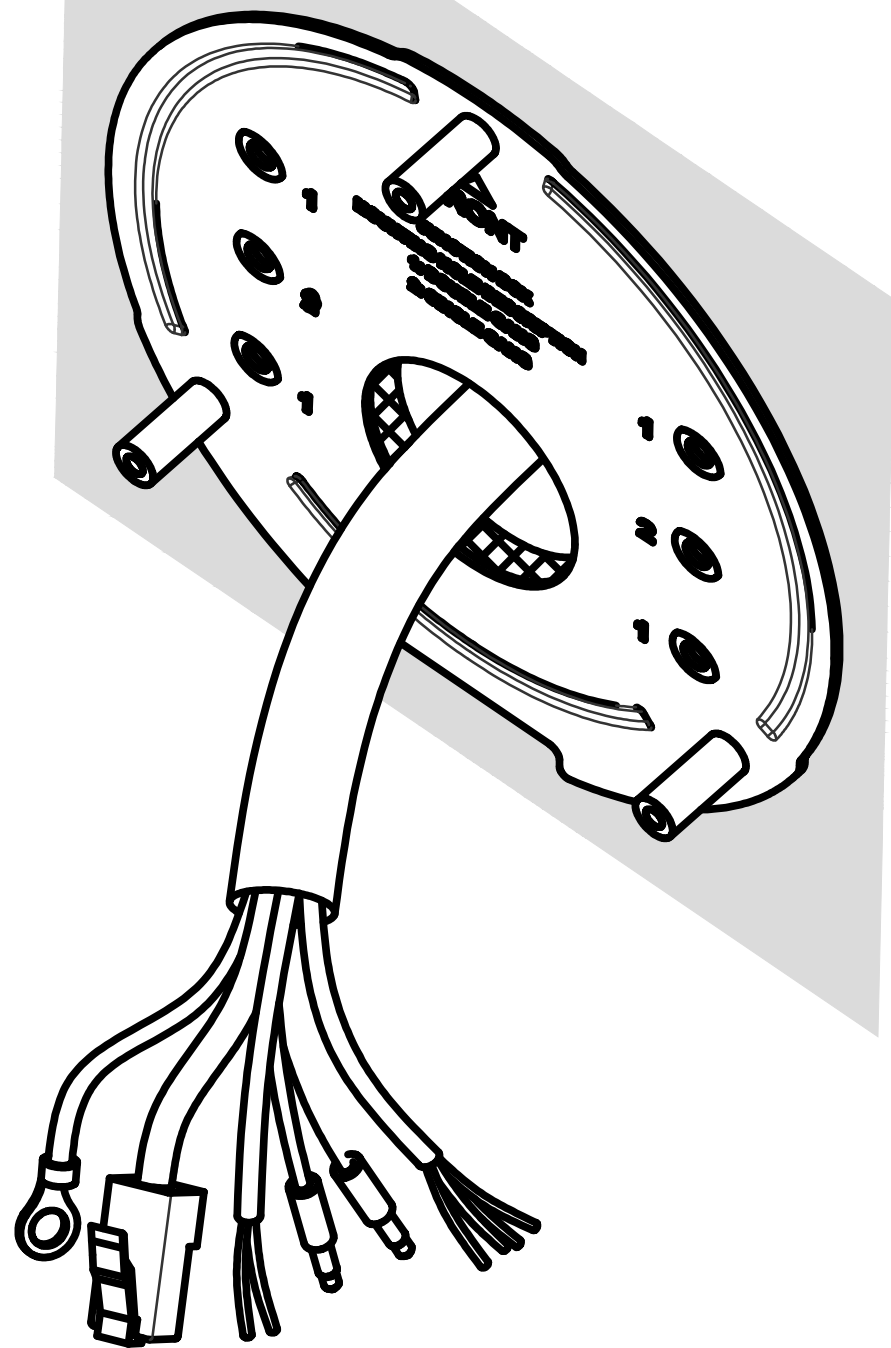
B.2



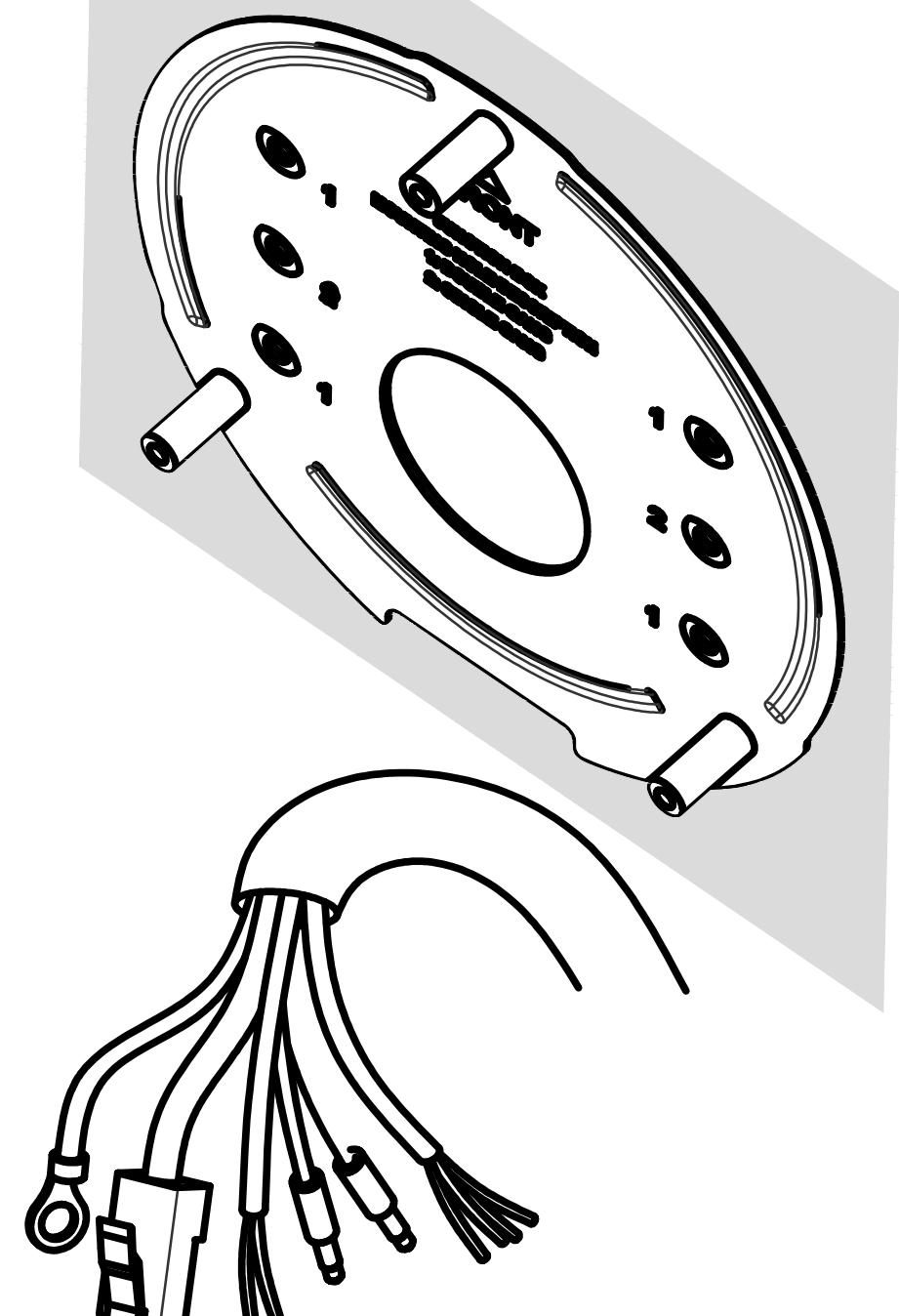
B.3



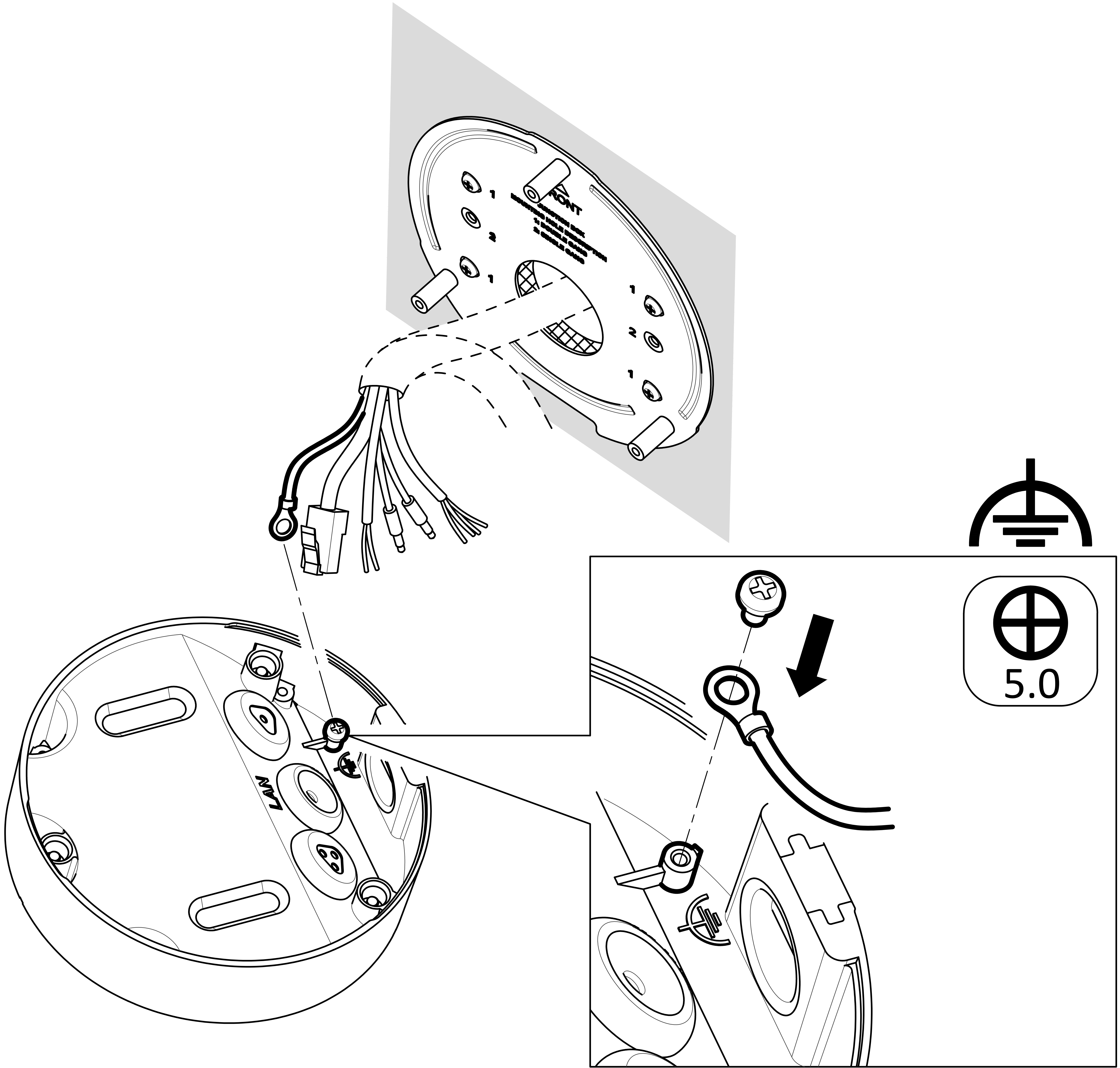
A.4



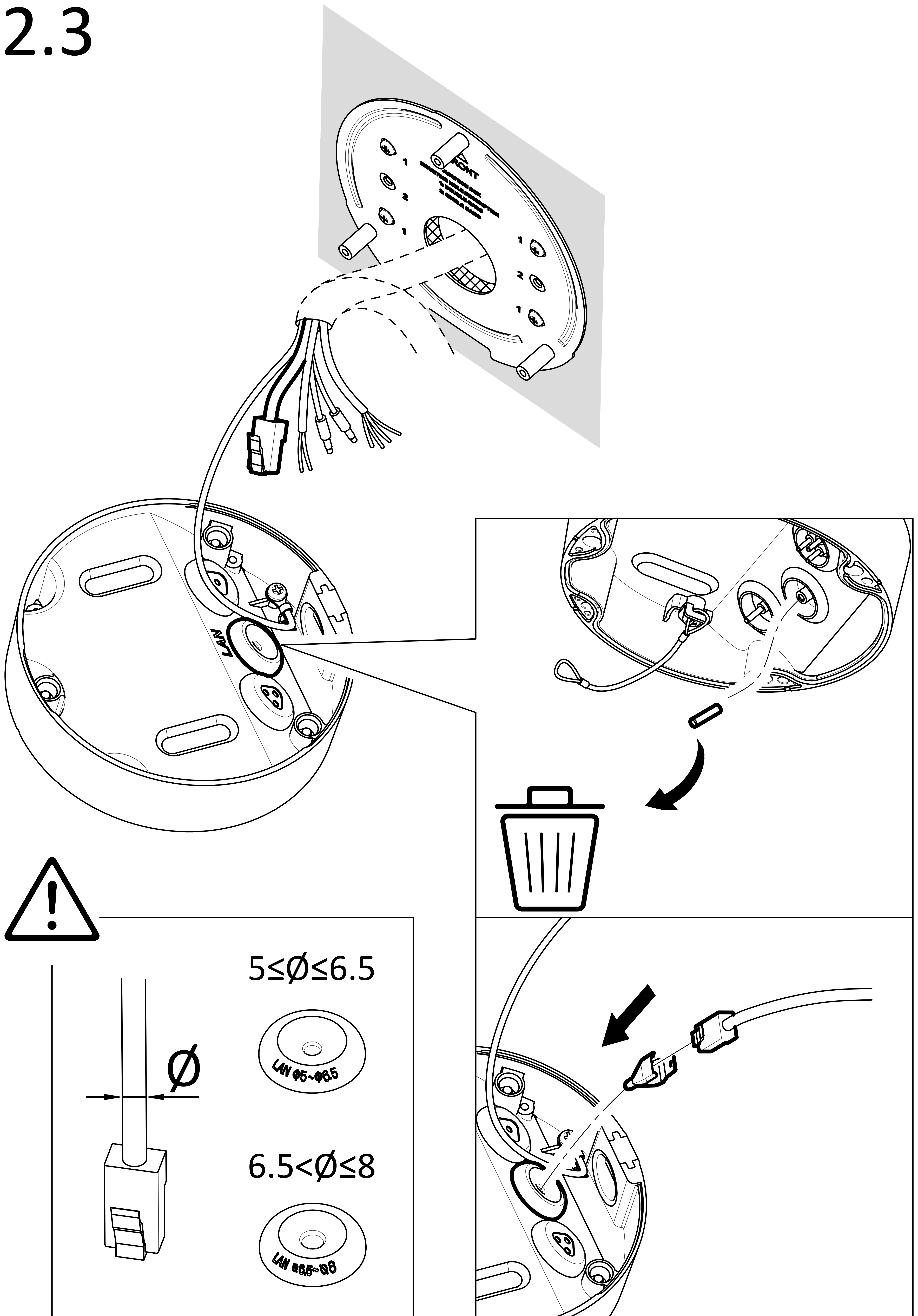
B.3



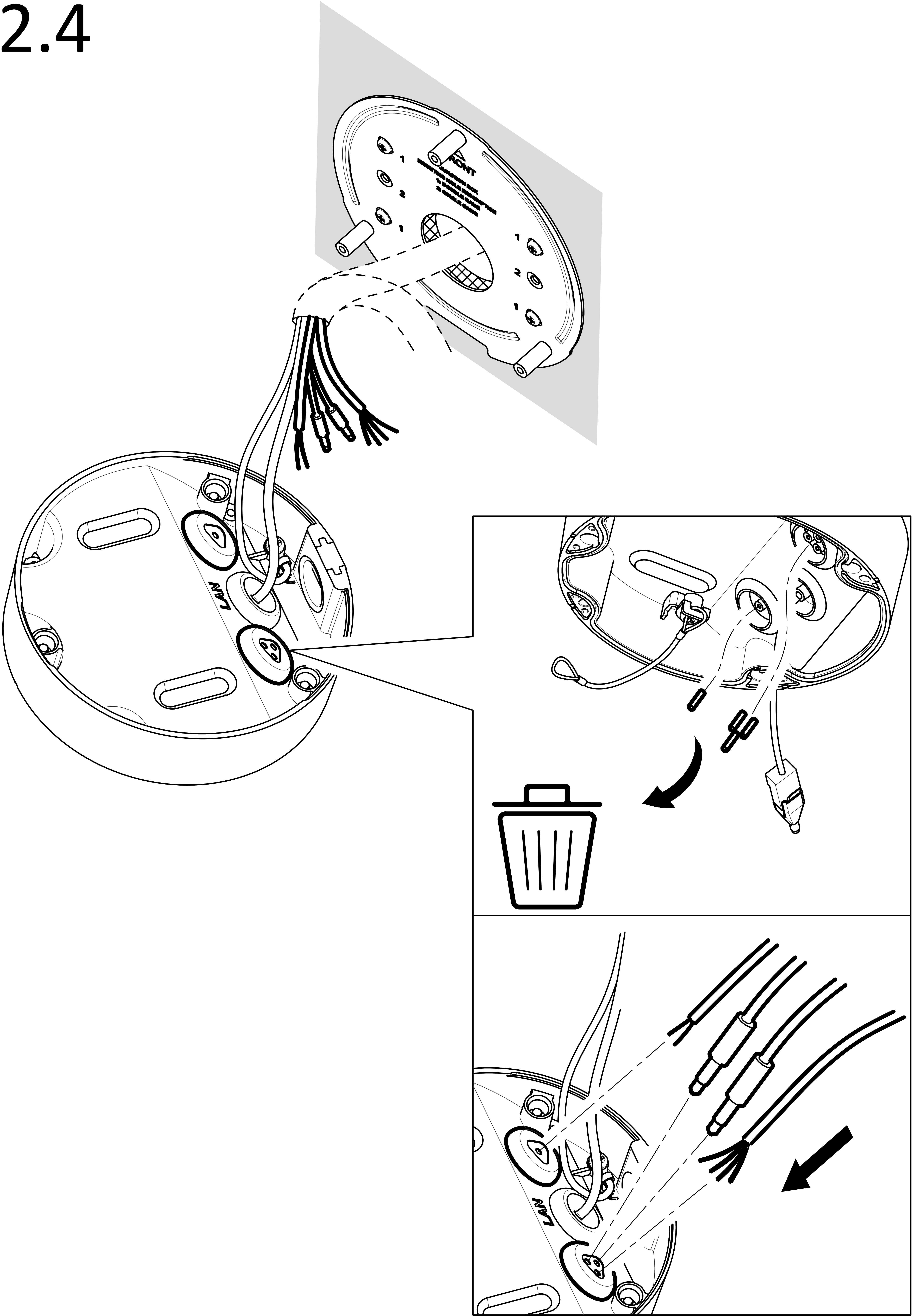
2.2



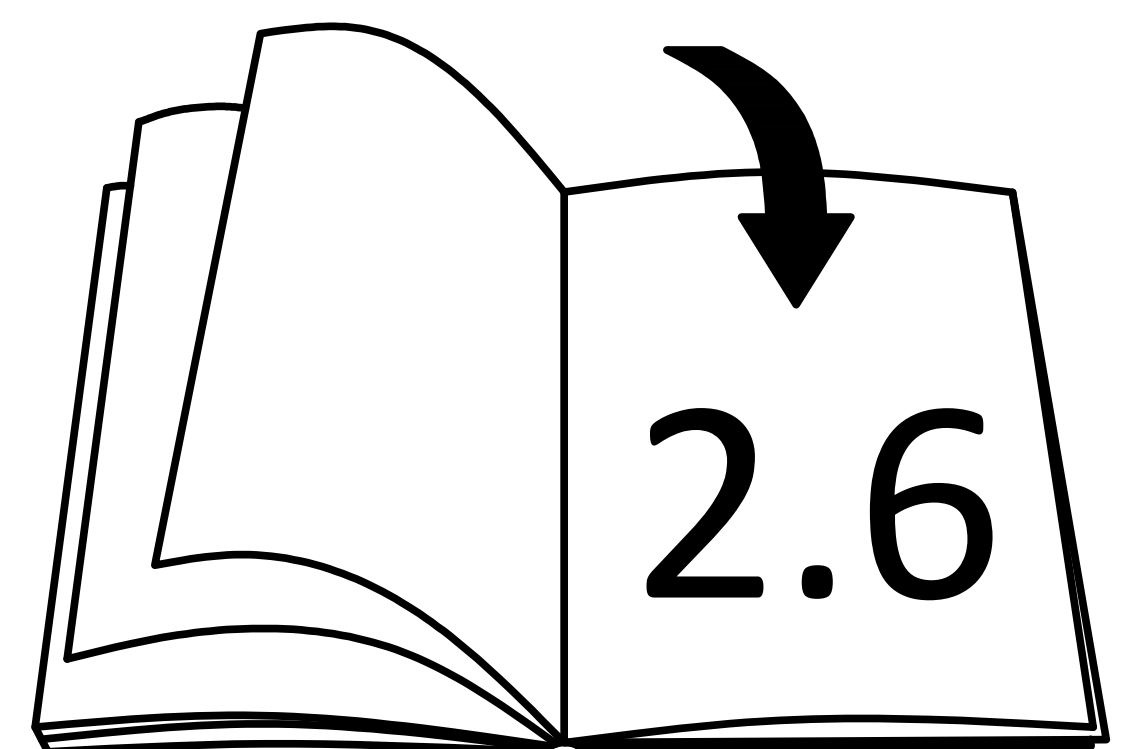
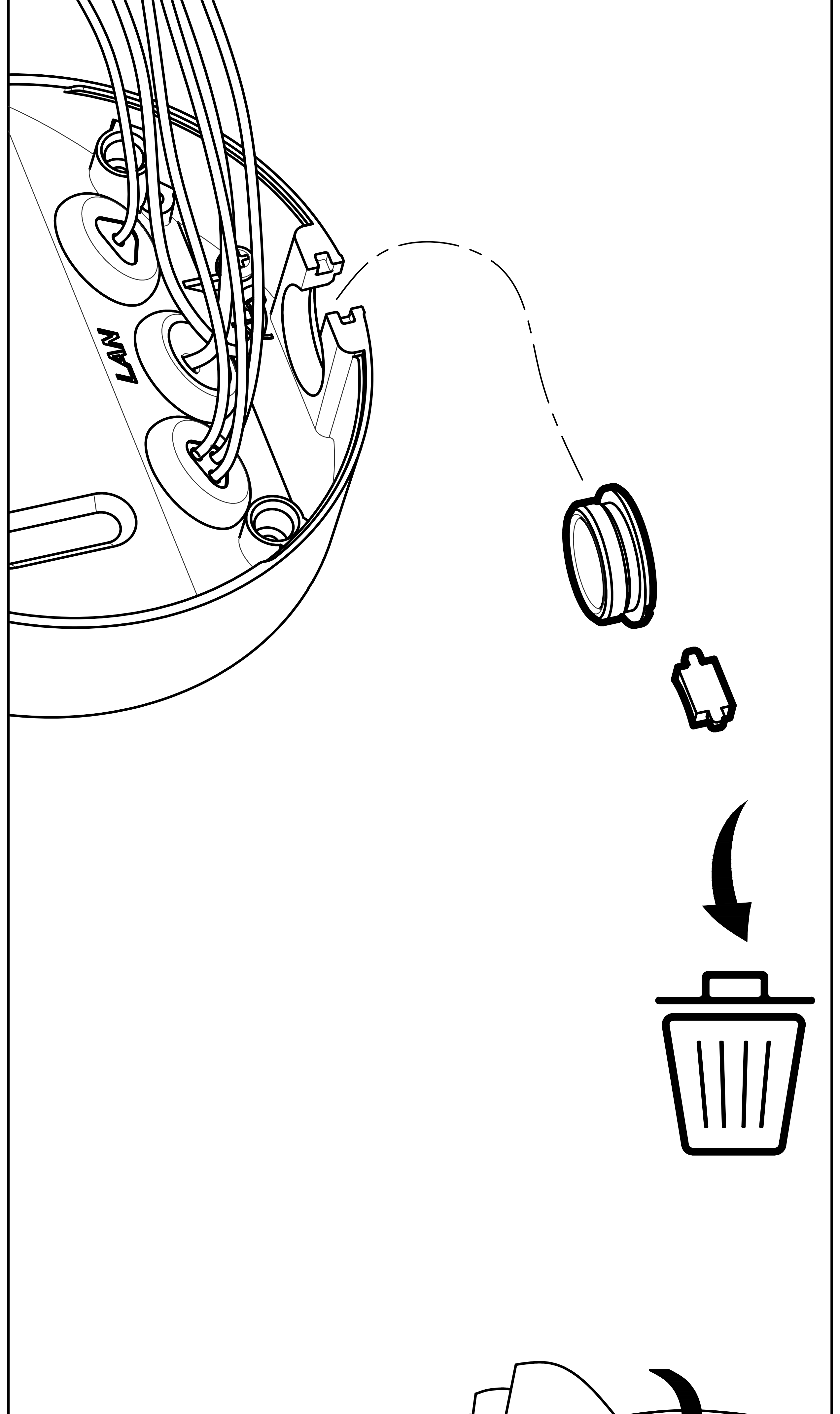
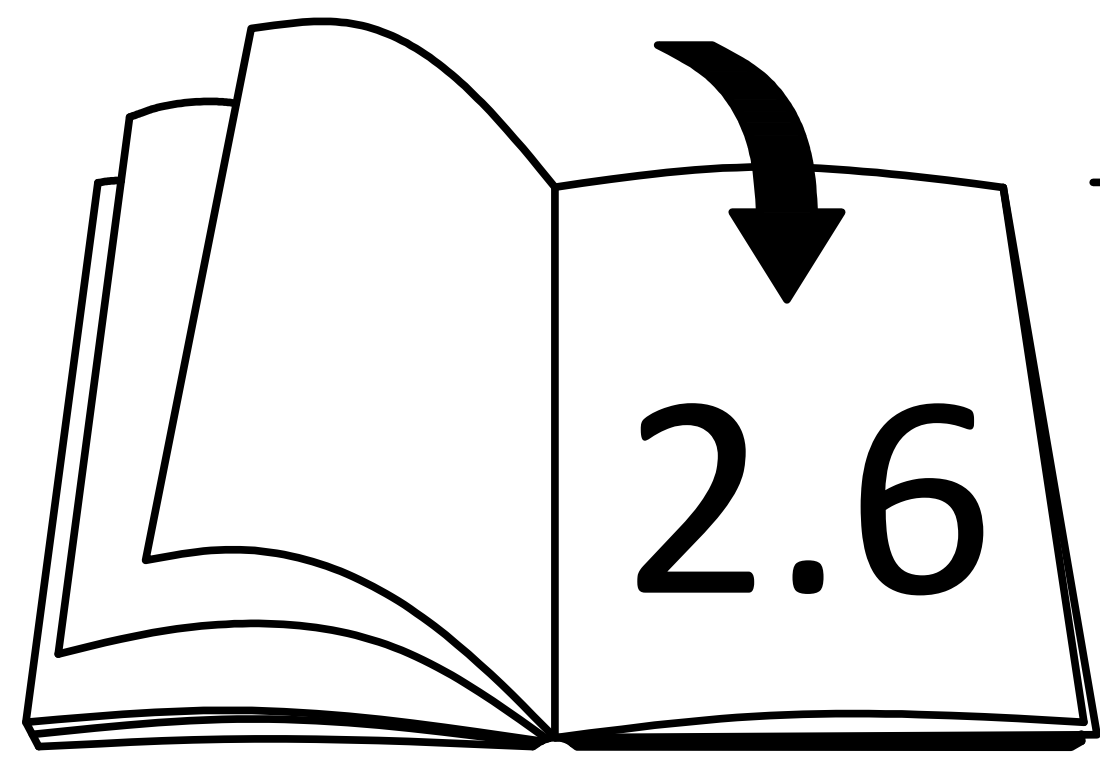
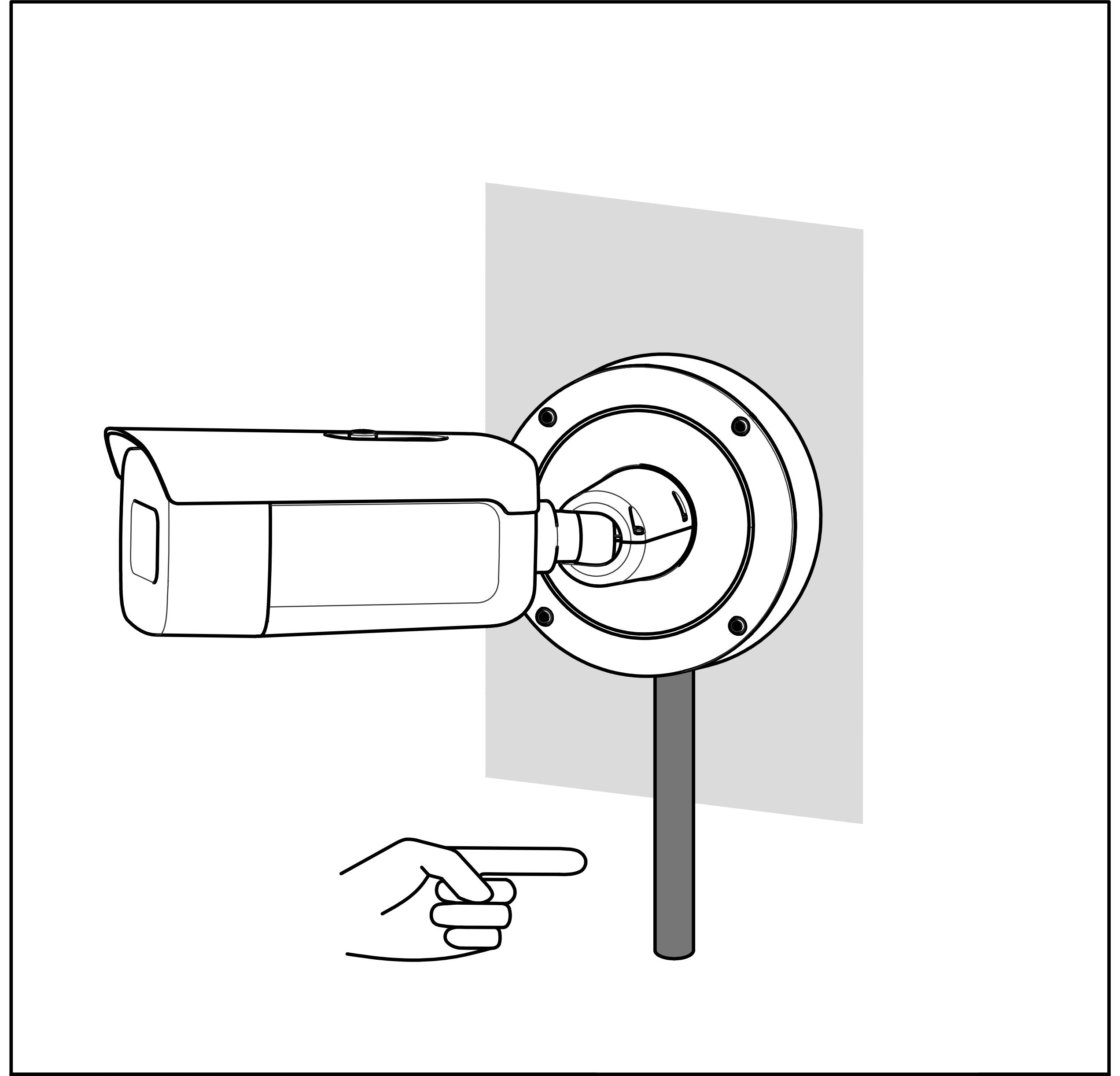
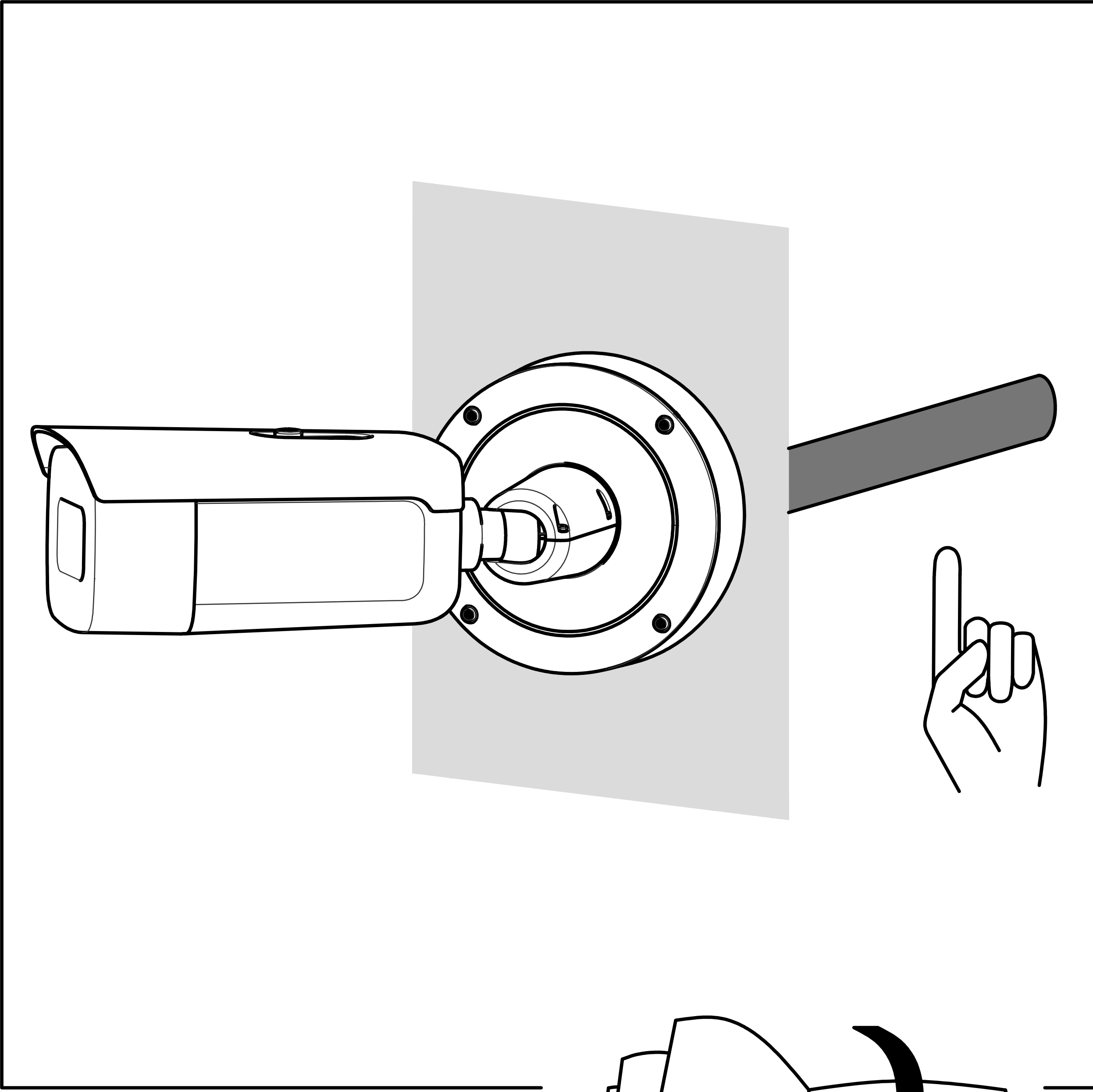
2.3



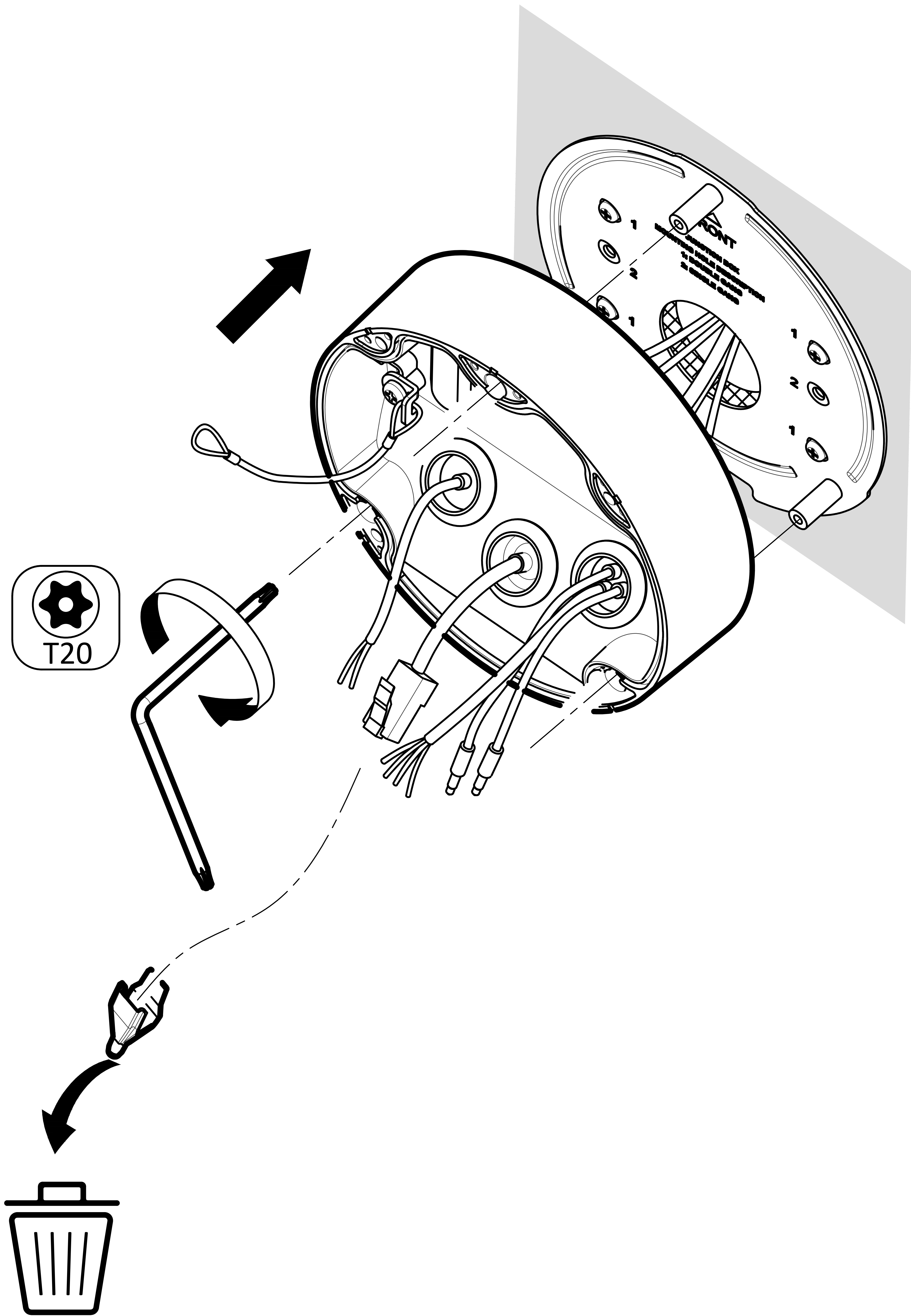
2.4



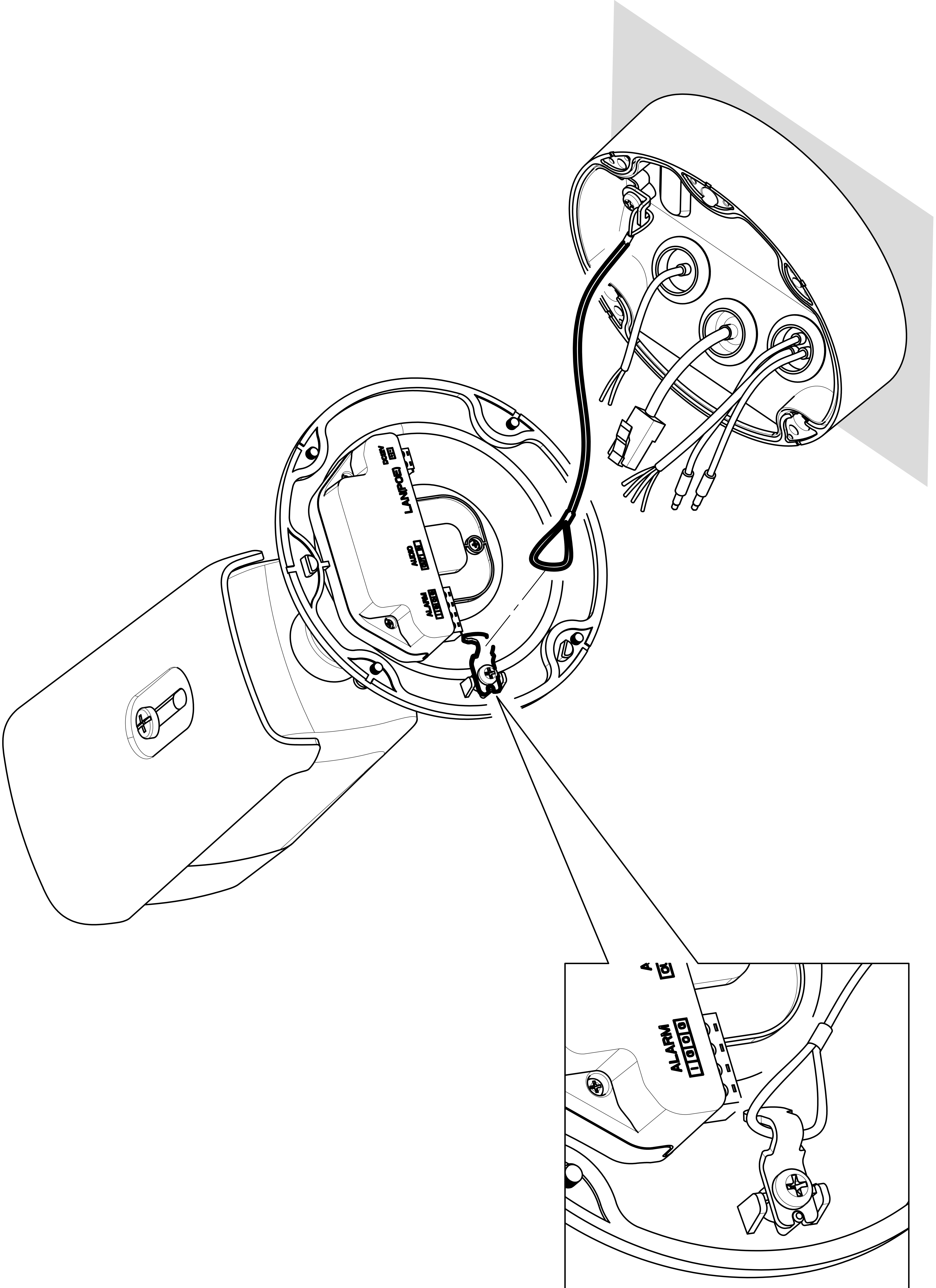
2.5



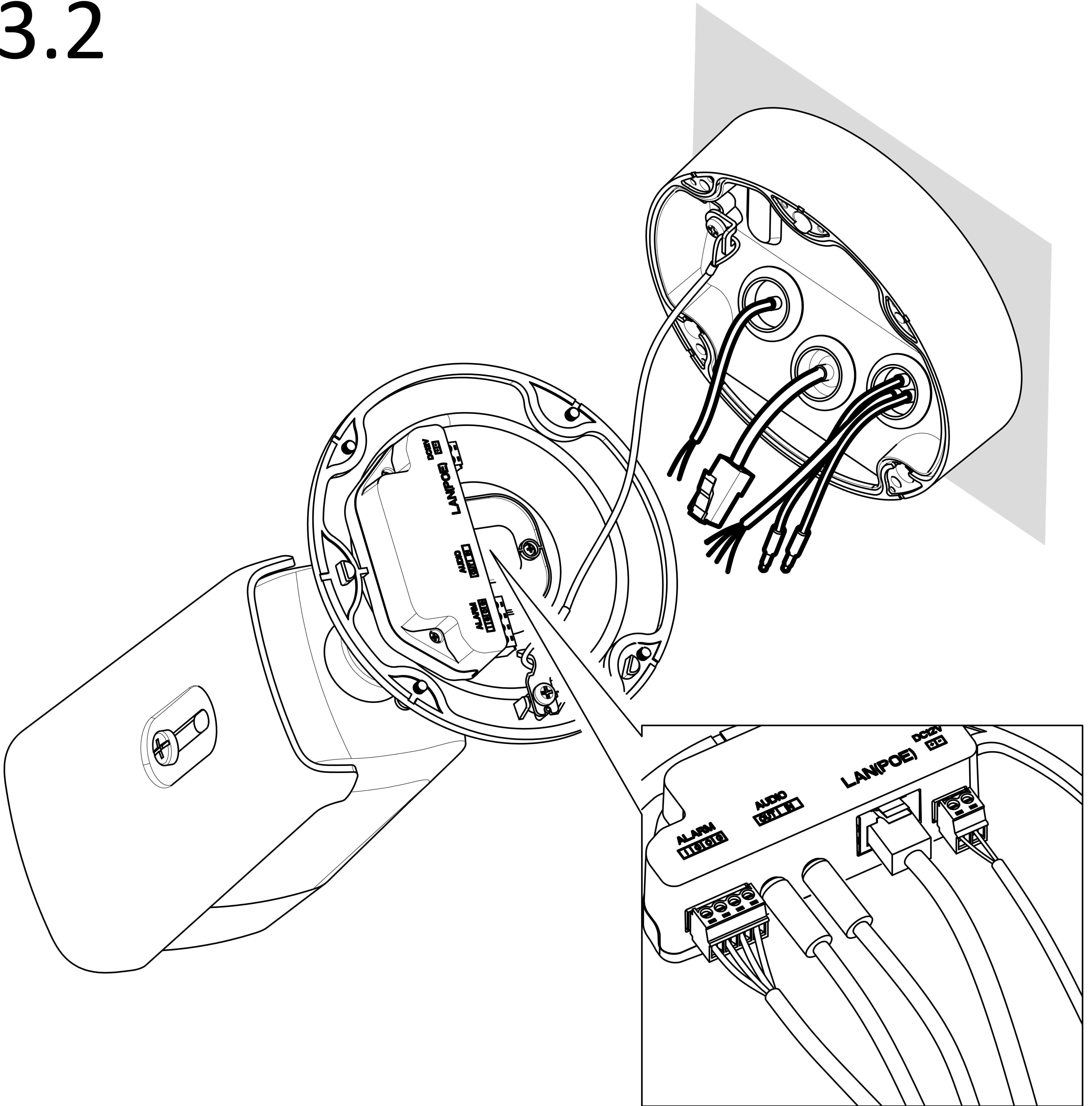
2.6



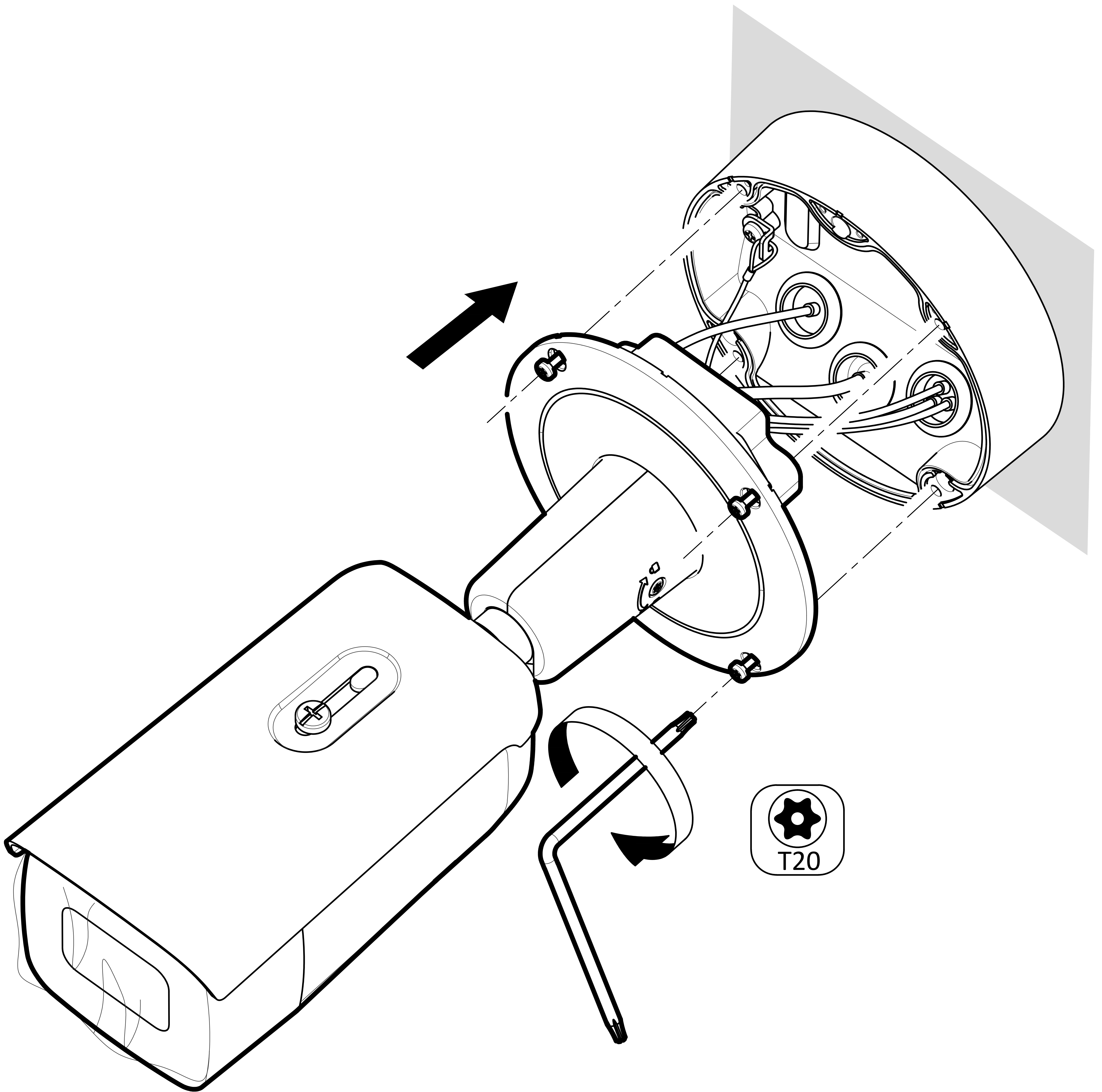
3.1



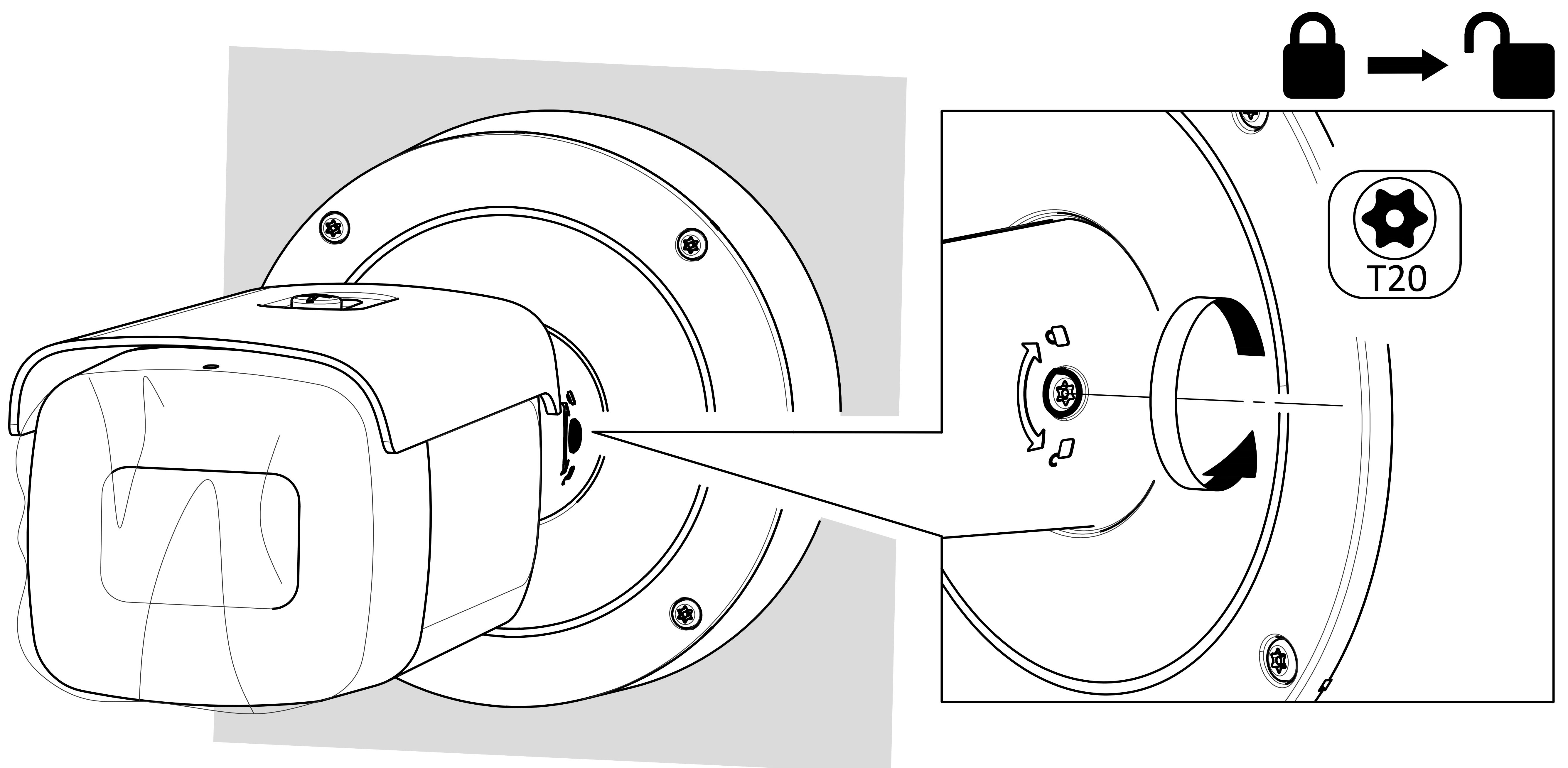
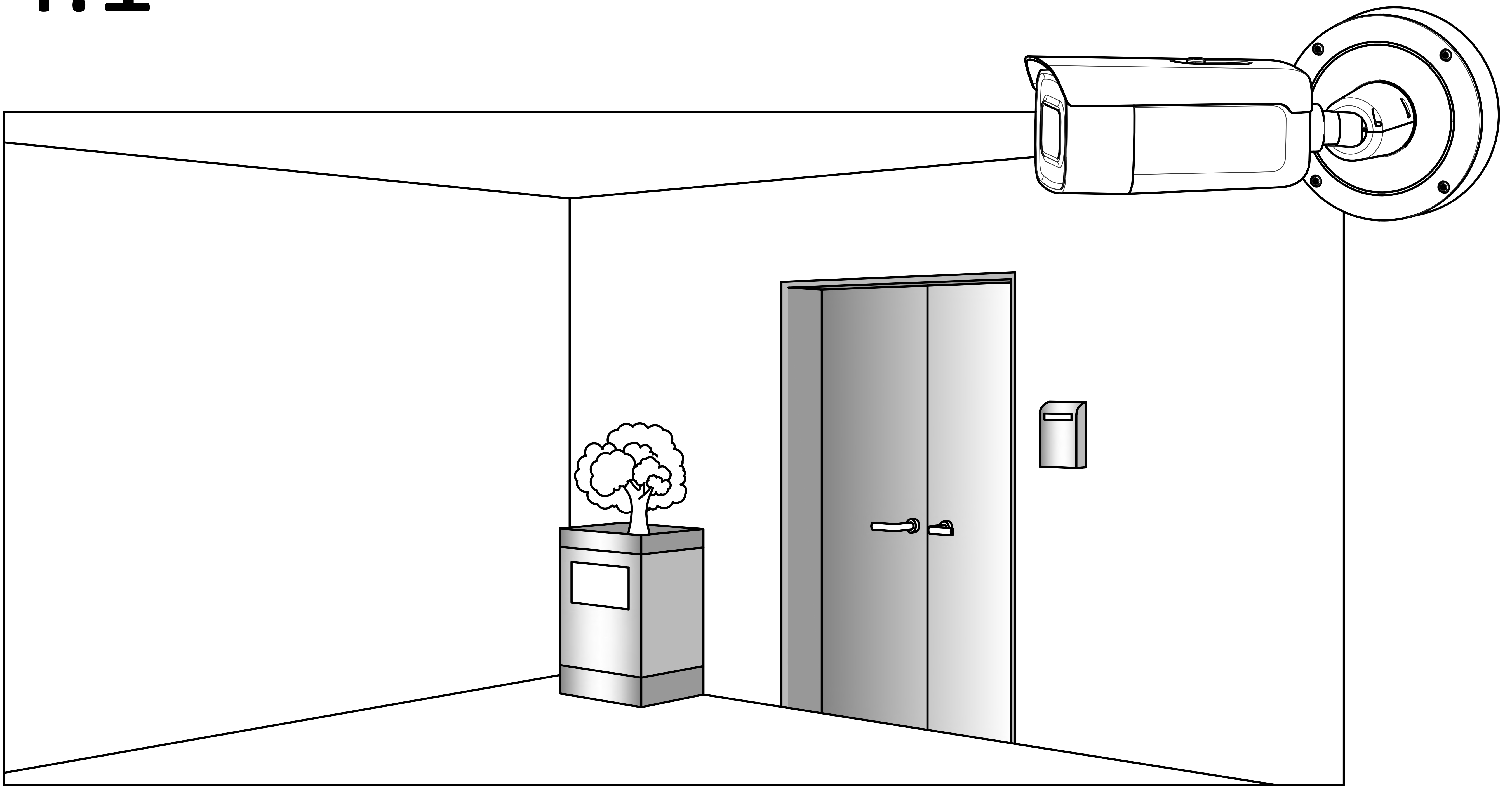
3.2



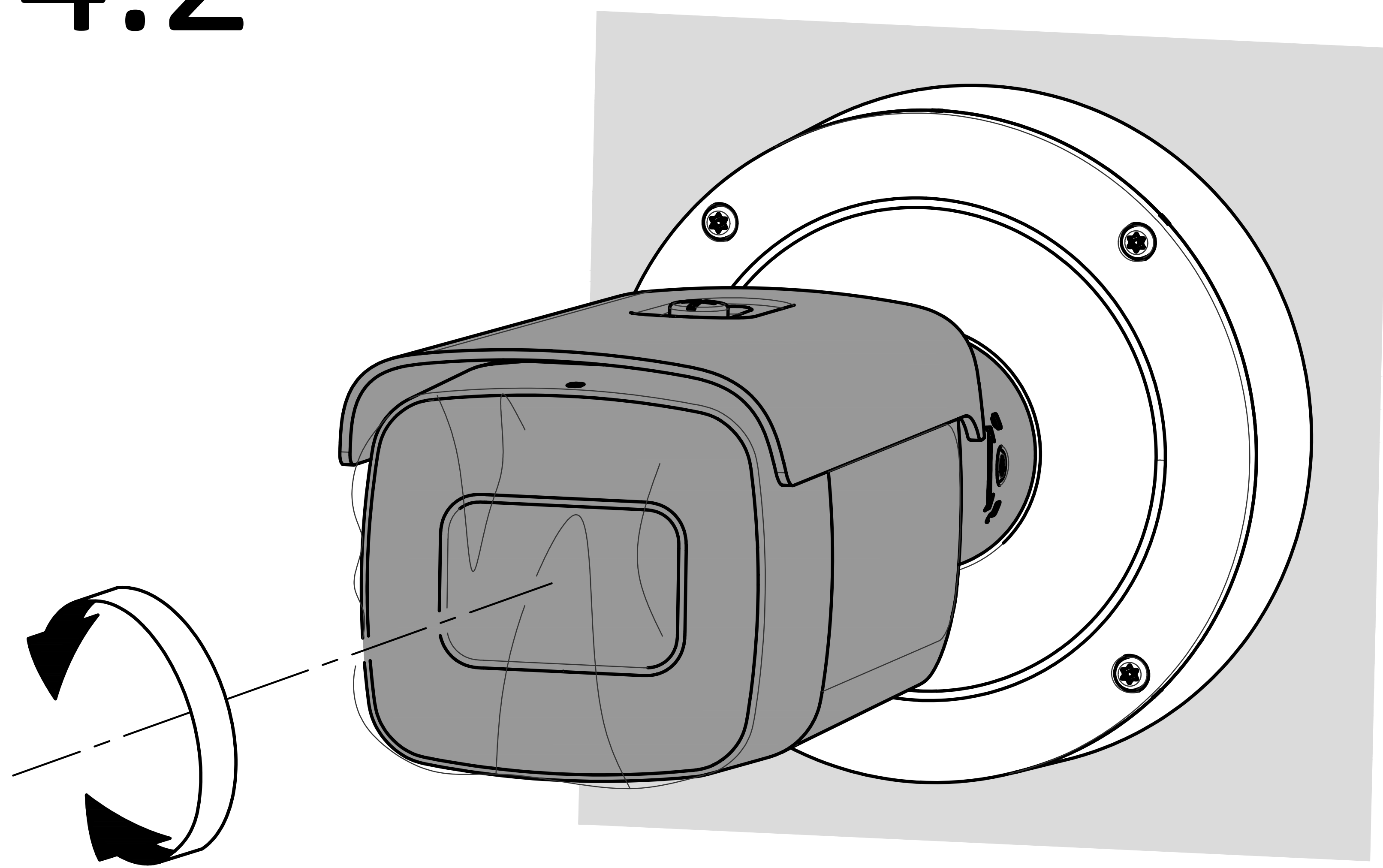
3.3



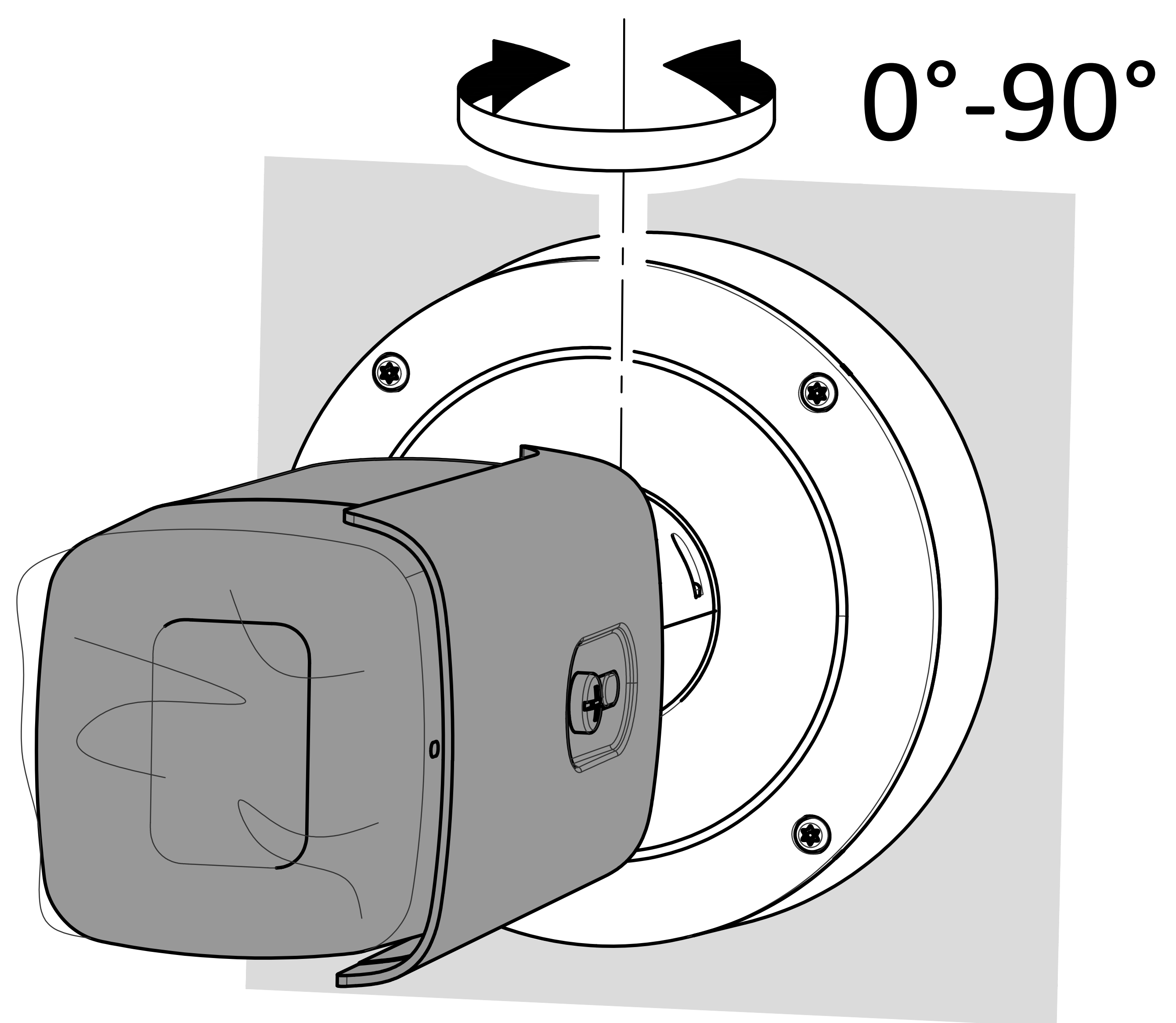
4.1



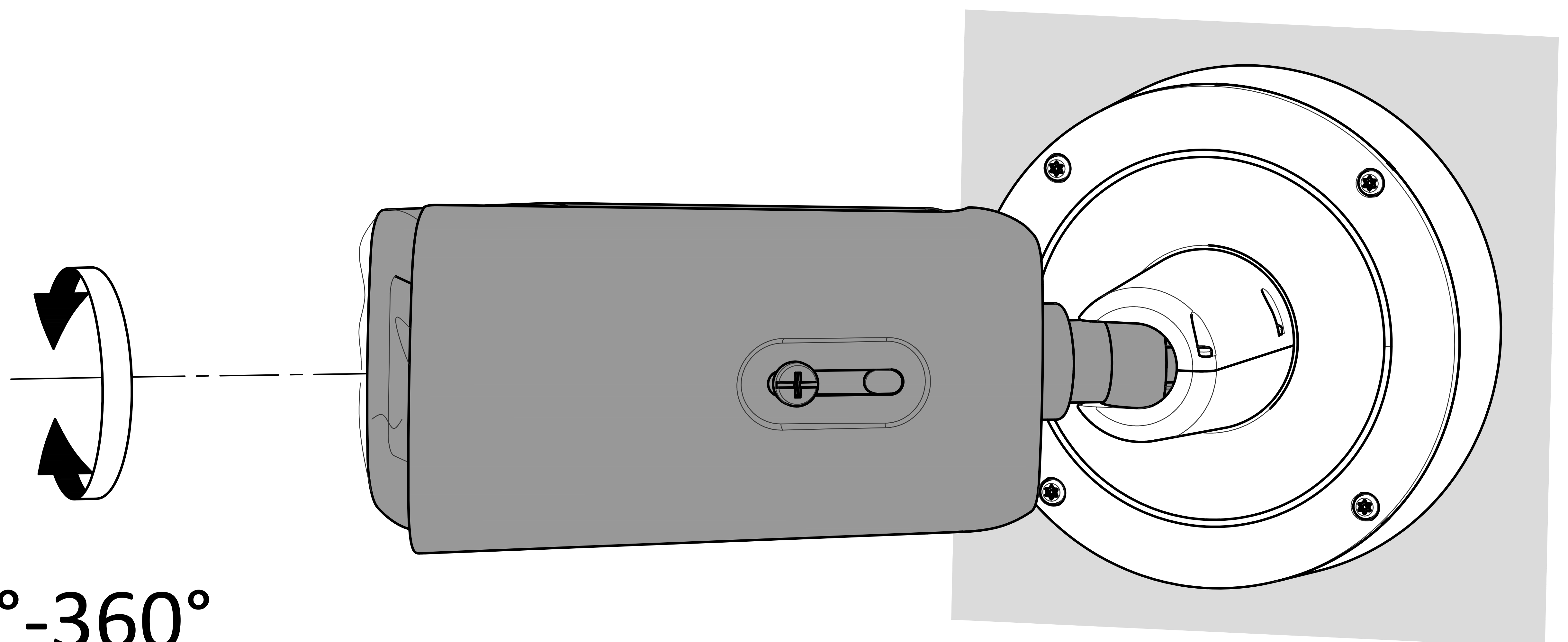
4.2



0°-355°



0°-90°



0°-360°

4.3

