



*Now you can see!*

# 1080P AHD

**IR BULLET PTZ CAMERA**

[www.provision-isr.com](http://www.provision-isr.com)



## ***User Manual***

- ▶ I5PT-390AX4
- ▶ I5PT-390AX10

# I5PT-390AX4/X10

## 1080P 4in1 BULLET MINI PTZ CAMERA

### QUICK INSTALLATION GUIDE

#### Table of Contents:

1. Summary:.....	3
1.1 Important Safety Notes:.....	3
2. Box Contents: .....	3
3. Structure.....	3
3.1 Camera Cable .....	3
4. Device Installation: .....	4
6. Camera Settings & Preset Commands:.....	5
7. Camera Specs:.....	9

## 1. Summary:

This document describes the correct installation and operation methods of I5PT-390AX4/10 Models.

### 1.1 Important Safety Notes:

**Please read this manual carefully before installing and operating the camera.**

- Please refer to the technical specs to confirm you are using a suitable power supply. Do not use power supply with higher/lower rating than specified.
- Do not attempt to disassemble the camera; in order to prevent electric shock, do not remove any screws or covers.
- There are no user-serviceable parts inside. Please contact the nearest service center if there is any technical failure.
- Avoid incorrect operation, shock vibration or heavy weight pressing which can damage the camera.
- Do not use corrosive detergent to clean the camera. If necessary, please use a soft dry cloth to wipe dirt. For tough contamination, use neutral detergent. Any cleanser for high grade furniture is applicable.
- Avoid aiming the camera directly towards extremely bright objects such as the sun, as it may permanently damage the image sensor.
- Please follow the installation instructions.
- Do not operate the camera in environments that exceeds the specified temperature, humidity or power.
- Keep away from any heat sources such as radiators, heat registers, stoves, etc.
- Do not expose the product to the direct airflow of an air conditioner.

## 2. Box Contents:

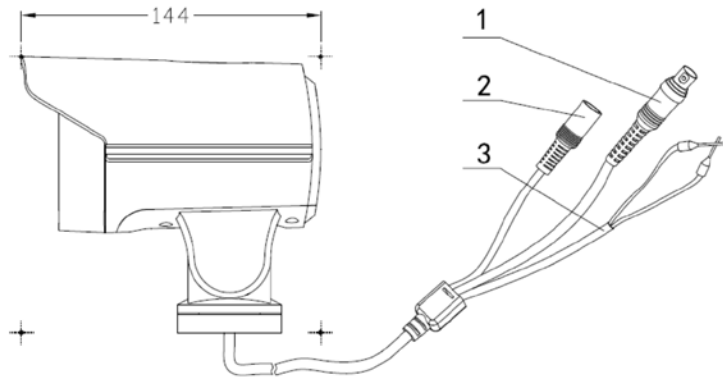
ITEM	QUANTITY
I5PT-390AX4/10 Camera	1
Camera Bracket	1
User Manual	1
Installation Screws	4

## 3. Structure

### 3.1 Camera Cable

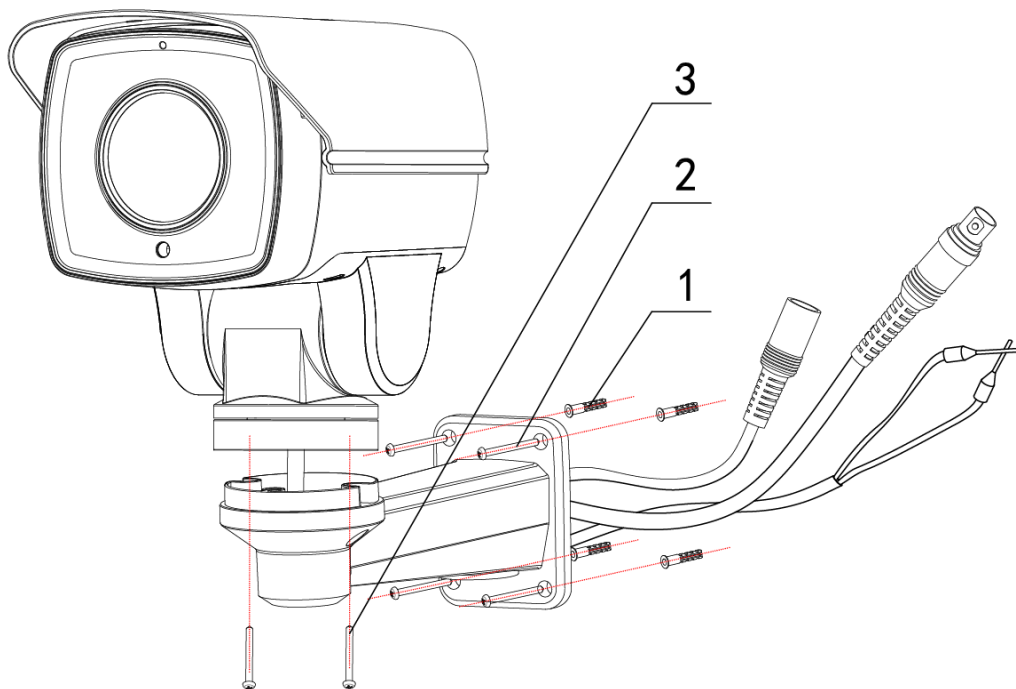
Please find cable description below. You can also refer to Figure 2-1. There might be some differences among different serial products.

S/N	ITEM	QUANTITY
1.	Video Connector	4in1 1080P Video Output
2.	Power Connector	12V DC Power Input (2A Recommended)
3	RS-485 Connector	Orange: RS-485A, Yellow: R -485B



Picture 2-1: Cable Reference

#### 4. Device Installation:



The camera is designed for a wall installation only! Please refer to the installation instructions below.

- Important:**
1. The installation surface should be able to hold at least triple the weight of the assembled camera.
  2. The camera default output is PAL system, for NTSC, please call preset 68

Default PAL
for NTSC  
call preset 68

**Step 1:** Install the camera's bracket to the wall:

For cement wall:

1. Mark the holes locations on the wall.
2. Drill into the marked holes
3. Use the supplied screw anchors
4. Fix the bracket to the wall using the supplied screws.

For wood wall:

- 1) No need to drill the wall or use screw anchors.
- 2) Fix the bracket to the wall using the supplied screws.

**Step 2:** Install the camera:

- 1) Pass the camera's cable through the installed bracket.
- 2) Secure the camera to the bracket using the supplied screws.
- 3) Make all connections (Connect Power source last)

**Step 3:** Connect the camera to a controller:

- 1) Connect the camera to a controlling device such as RS-485 keyboard or DVR (By CoC/RS-485).
- 2) If required, adjust corresponding address and baud rate. Make sure you can control the device.

**Warnings:**

- 1) Do not adjust the camera's orientation manually. This might damage the device.
- 2) Do not hang anything from the camera's bracket as it is not designed to hold overloads.

## 6. Camera Settings & Preset Commands:

In this camera, the CoC commands divides to 2. If you are using AHD/TVI/CVBS, Please use the 1<sup>st</sup> table. If you are using CVI, use the 2<sup>nd</sup> table.

### AHD/TVI/CVBS Command

Shortcut Key	Function (Set Preset)			
Set #84preset	Proportional P/T OFF			
Set #85preset,Call N	Set video signal type	N=1	AHD	1080P
		N=2	TVI	1080P
		N=3	CVI	1080P
		N=4	CVBS	
Set #87preset,Call N	N is address(N=1,2,3.....254)			
Set #88preset,Call N	N is baud rate(1. 2400; 2.4800; 3.9600 )			
Set # 89preset	Delete all presets			
Set #90 preset	Set left limit Position			
Set #91preset	Set right limit Position			
Set #92 preset	Delete left/right limit			
Set #93preset	Dome restart			
Set #94 preset	Restore Factory Setting			
Set #95preset	Open main menu			

Set #96 preset	0S Park time ON
Set #97 preset	60S Park time ON
Set #98preset	120S Park time ON
Set #99 preset	scan and tour scan speed is automatic
Set #100 preset	scan and tour scan speed is high, 15°/sec
Set #101preset	scan and tour scan speed is middle, 10°/sec
Set #102preset	scan and tour scan speed is low, 5°/sec
Set #103 preset	Record Pattern scan 1
Set #104 preset	Record Pattern scan 2
Set #105 preset	Record Pattern scan 3
Set #106 preset	Record Pattern scan 4
Set #111 preset	Set color-to-black function
Set #112 preset	the preset-dwell: 0S
Set #113preset	the preset-dwell: 5S
Set #114preset	the preset-dwell: 10S
<b>Shortcut key</b>	<b>Function (Call preset)</b>
Call #67 preset	Change system to PAL
Call #68 preset	Change system to NTSC
Call #69 preset	Open Advanced Settings menu
Call #70 preset	Preset Error Correction
Call #71 preset	Proportional P/T ON
Call #72 preset	Start Cruise scan and switch the cruise scan direction
Call #73 preset	Start Pattern 1
Call #74 preset	Start Pattern 2
Call #75 preset	Start Pattern 3
Call #76 preset	Start Pattern 4
Call #77 preset	Call cruise 1 (default number 1~16 preset)
Call #78 preset	Call cruise 2 (default number 17~32 preset)
Call #79 preset	Call cruise 3 (default number 33~48 preset)
Call #80preset	Call cruise 4 (default number 49~64 preset)
Call #81 preset	Camera IR-CUT switch
Call #82 preset	Call all valid presets cruise
Call #83 preset	Call 250° scan
Call #95preset	Open main menu (Same response as "Set")

**CVI Command**

Shortcut Key	Function (Set Preset)			
Set #50preset, Call N	Set output model	N=1	AHD	1080P
		N=2	TVI	1080P
		N=3	CVI	1080P
		N=4	CVBS	
Set #51preset	Proportional P/T OFF			
Set #52preset, Call N	N is address(N=1,2,3.....254)			
Set #53preset, Call N	N is baud rate(1. 2400; 2.4800; 3.9600 )			
Set # 54preset	Delete all presets			
Set #55 preset	Restore Factory Setting			
Set #56 preset	0S Park time ON			
Set #57 preset	60S Park time ON			
Set #58preset	120S Park time ON			
Set #59preset	scan and tour scan speed is high, 15°/sec			
Set #60preset	scan and tour scan speed is middle, 10°/sec			
Set #61preset	scan and tour scan speed is low, 5°/sec			
Set #62preset	Set color-to-black function			
Set #63preset	the preset-dwell: 0S			
Set #64preset	the preset-dwell: 5S			
Set #65preset	the preset-dwell: 10S			

Shortcut key	Function (Call preset)
Call #50 preset	Camera IR-CUT switch
Call #51 preset	Call all valid presets cruise
Call #52 preset	Open main menu (Same response as "Set")
Call #53 preset	Open Advanced Settings menu
Call #54 preset	Preset Error Correction
Call #55 preset	Proportional P/T ON
Call #56 preset	Start Cruise scan and switch the cruise scan direction
Call #57 preset	Start Pattern 1
Call #58 preset	Start Pattern 2
Call #59 preset	Start Pattern 3
Call #60 preset	Start Pattern 4
Call #61 preset	Call cruise 1 (default number 1~16 preset)
Call #62 preset	Call cruise 2 (default number 17~32 preset)
Call #63 preset	Call cruise 3 (default number 33~48 preset)
Call #67 preset	Change system to PAL
Call #68 preset	Change system to NTSC

Note: Sequence default includes preset 1-preset 10 with parking time of 10sec.



## 7. Camera Specs:

# Camera Specification

		I5-PTZ	
Model		I5PT-390AX10	I5PT-390AX4
CCD		1/3" CMOS	
Resolution	HD Analog	2MP (AHD / CVI / TVI - 1920x1080)	
	Analog	700TVL	
Optical Zoom		x10 (5.1-51mm)	x4 (2.8-12mm)
Digital Zoom		No	
Minimum Focus Distance		1.5M	
Horizontal Angle of View		H: 50.4°(Wide) to 5.4°(Tele) V: 29.7°(Wide) to 3°(Tele)	81.2°(Wide) to 22.6°(Tele) 51.5°(Wide) to 12.8°(Tele)
Sync System		Internal	
Min. Illumination		0.01lux (0 Lux with IR On)	
Day & Night		Auto/Day/Night (ICR)	
S/N Ratio		>50dB	
Focus		Auto/Manual	
Auto Gain		Auto/Manual	
Wide-D		No	
White Balance		ATW/Manual/Outdoor/Indoor	
BLC		On/Off	
Shutter Speed		1/50~1/10000	
Sense Up		No	
Noise Reduction		3D-DNR	
Stabilizer		No	
Flip		On/Off	
Picture Freeze		No	
Iris		Auto	
Flickerness		No	

## Pan/Tilt Specification

Pan tilt Range	250° Pan/ 65° Tilt
Pan tilt Speed	Max Preset Speed: 12°/Sec Manual: 0.5°~12°/Sec (Proprtional to Zoom)
Preset	255
Pattern	Up to 4
Auto Scan	Yes
Group	4 Groups (Non-Configurable)
Schedule	No
Privacy Zone Masking	No
Park Function	Yes (Preset 1 Only)

## Communication Specification

Data Type	CoC* (Control over Coax), RS-485
Protocols	CoC / Pelco-D
Baud Rates	2400
Camera ID	1 - 255
Alarm I/O	No
On Screen Display	OSD menu, Camera position

## Mechanical

IR Distance	50m IR LED Array
Fan / Heater	No
Sunshield	Yes
Humidity range	<90%
Power Supply	12VDC/2A (Not supplied)
Operation temperature	-20°C~+50°C
Dimensions	225*175*94mm
Ingress Protection	IP66
Weight	920gr

\*CoC must be supported on the controlling unit as well

\*CoC not supported in CVBS mode

**PROVISION** **ISR**<sup>®</sup>

*Now you can see!*