

HDMI Extender over Cat5e/Cat6 with USB and IR

I. Introduction

This HDMI USB-KVM (Keyboard/Video/Mouse) extender allows you to extend your HDMI signal, USB mouse and USB keyboard up to 130 Meter over standard network cable.

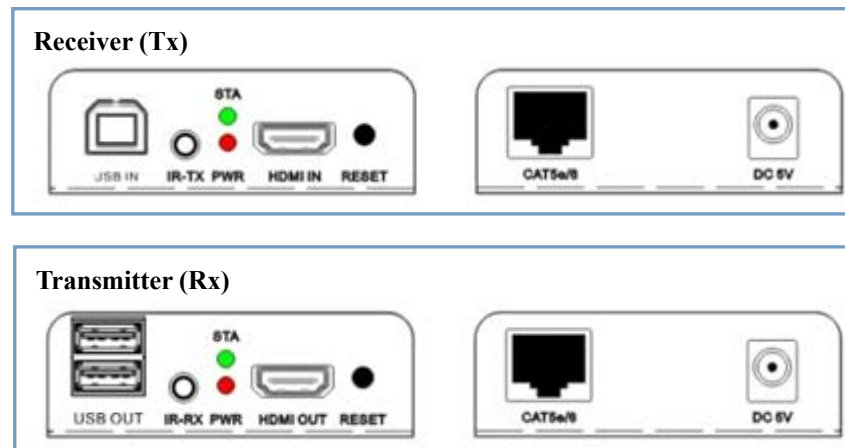
While HDMI cables are pricy, inconvenient to work with and suffer from limited transmission distances – Ethernet cables offers a wonderful alternative. PR-HDKVMoNet enables you to extend HDMI signal to remote display unit to a maximum of 130 meters over Ethernet cable while maintaining your Mouse/Keyboard capabilities (from the display unit location).

II. Features:

1. Transmits HDMI/USB/IR signal over Ethernet
Working distance: Cat5e:100 meters, Cat6:130meters
2. HDMI 1.3 & 3D support
3. 12Bit deep color and bandwidth of up to 225Mhz support
4. Support video resolution up to 1080P@60Hz
5. Supported Audio format: DTS-HD / Dolby-true HD / LPCM7.1 / DTS / Dolby-AC3/DSD
6. Support USB2.0 Keyboard and mouse Transmission.
7. Support IR signal transmission
8. DC5Vpower supply is included

Note: Distance may be affected by the cable quality, length and other environmental interferences.

III. Product interface pictures



Port name	Description
HDMI IN/OUT	HDMI signal input/output
Cat5e/6	RJ45 port connect cat5e/cat6
USB IN	USB cable connect to video source
USB OUT	connect to keyboard and mouse
IR TX/RX	IR signal input/output
DC/5V	Power adapter socket
LED indicator	Description
PWR	unit power indicator
STA	HDMI signal indicator

IV. Specification

Parameter		Description
Video	Standards	HDMI 1.3; HDCP 1.2
	Maximum pixel clock	165MHz
	Maximum data rate	6.75Gbps
	Resolution	1920X1080P@60Hz
	Connector	HDMI-A
	Impedance	100Ω
USB	Interface	PC: Type B USB interface; connect to pc; K/M: connect USB keyboard and mouse;
	USB signal	HID Signal
IR	Interface	3.5mm seat
	Signal direction	Unidirectional
	Signal type	Digital
	IR frequency	38kHz ; Optional (20 KHZ - 60 KHZ)
UTP	Interface	RJ45
	Transmission distance	CAT5e/6---120m
Other	Power supply	The power adapter: DC 5V/1A
	Power dissipation	MAX 3W
	Temperature	Operating: -5°C ~ +70°C
	Humidity	Operating: 5% ~ 90%
	Dimension	95*73*26mm

V. Installation Process:

1. Connect the provided DC/5V power supply to the power socket of Tx (Transmitter) and Rx(Receiver) units

2. Connect the Rx unit to the display device by HDMI cable.
3. Connect the required USB device/s to the “USB Out” Port of the Rx unit
4. Connect the IR out cable to the Rx unit
5. Connect the Tx unit to the video source device by HDMI cable.
6. Connect the provided min USB cable between the Tx unit and the source device.
7. Connect the IR in cable to the Tx unit, and point the IR emmitter to the IR transmitter of the video source.
8. Connect between the Tx and Rx units using Cat5e/6 cable.
9. Turn on the source device
10. If there is still no image showing, please press “Reset” button for 5 seconds.



VI. Package

1. HDMI transmitter x1 pcs
2. HDMI receiver x1 pcs
3. USB Cable x1 pcs
4. Power adapter x2 pcs
5. IR TX/RX terminal x 1 set
6. User manual x1 pcs