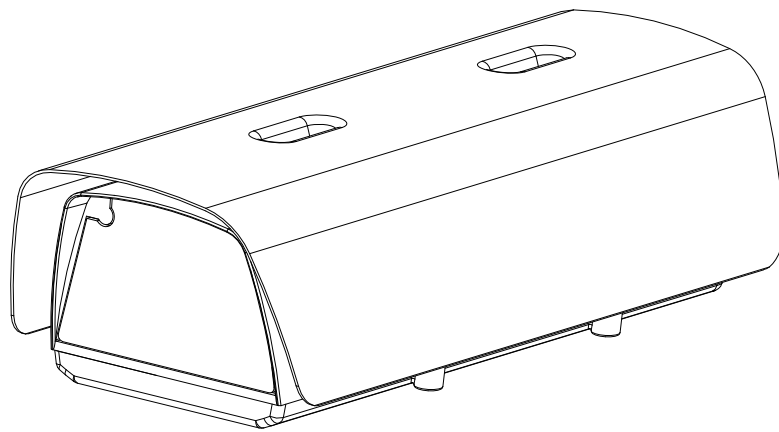




## BOX CAMERA HOUSING

**SHB-4300H**  
**SHB-4300H1**  
**SHB-4300H2**

User manual



**CONTENTS**

- 1. Safety Instructions ..... 1
- 2. Product Overview ..... 1
- 3. Features ..... 2
- 4. Product Specifications ..... 3,4,5
- 5. exterior ..... 6
- 6. Installation ..... 7,8
- 7. Installing the bracket ..... 9

## 1. Safety Instructions

The safety instructions below are prepared to avoid physical or monetary damage from an accident, so please read carefully and follow them.

Do not install the product in a place that contains salt or produces the sulphurous gas.

Do not insert metal objects or inflammable substances inside. Otherwise, it may cause an electric leakage or shock or a fire.

Put a neutral detergent on the cloth that is used to wipe on the glass surface.

Do not use chemical substances such as thinner and benzene.

Use the right tools and wires to install the product in compliance with the safety instructions.

## 2. Product Overview

This CAMERA-HOUSING is designed to install the outdoor CCTV camera securely to protect it from the external conditions.

### **3. Features**

This product is a 16" camera housing that is designed to guarantee that the outdoor CCTV camera is installed securely for stable operation.

Firm and secure with the semi-permanent material, it is designed to be in harmony with the surrounding environment and to help the CCTV camera operate stably regardless of the dirt that may accumulate in the installation site and the weather condition.

In addition to the waterproofness function, it has the hinges on both sides that are manufactured in the top cover structure, which facilitates the installation and repair work.

The material of the body frame is made of aluminium that is corrosion-resistant. The product is also seamlessly sealed to protect itself from an unexpected external impact.

## 4. Product Specifications

1. Model Name : SHB-4300H
2. Purpose : Outdoor Housing
3. Product Name : Box Camera Housing
4. Features : Dustproof, waterproof, IP66
5. Material : Aluminium Die-Casting ADC 12
6. Use Condition : -35°C ~ +50 °C
7. Weight : 3.5kg
8. Input Power : AC24V
9. Power
  - Consumption : Heater ( 20W \* 1EA)
  - FAN ( 2W )
10. Operation
  - Temperature : Heater ( 5°C ± 5°C ON)
  - Fan ( 45°C ± 5°C ON)
11. Dimension
  - Outside : 184mm(W) x 127mm(H) x 460mm(D)
  - Inside : 91mm(W) x 78mm(H) x 190mm(D)
12. Color
  - Pantone Cool Gray 1C
13. Accessories
  - Housing
    - : ¼" -20X3/8" Screw (x2), Spring Washer (x1)
    - Flat Washer (x1), Wrench(x1)
  - Bracket
    - : ¼" × 1/2" Screw (x4)

## 4. Product Specifications

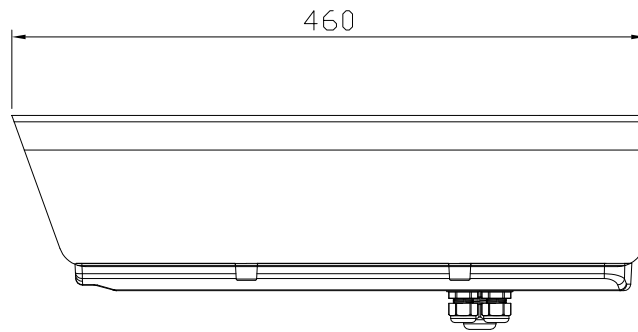
1. Model Name : SHB-4300H1
2. Purpose : Outdoor Housing
3. Product Name : Box Camera Housing
4. Features : Dustproof, waterproof, IP66, NEMA 4X
5. Material : Aluminium Die-Casting ADC 12
6. Use Condition : -50°C ~ +50 °C
7. Weight : 3.7kg
8. Input Power : AC24V
9. Power
  - Consumption : Heater ( 20W \* 2EA)
  - FAN ( 2W )
  - Defroster ( 8W)
10. Operation
  - Temperature : Heater 1 ( -5°C ± 5°C ON)
  - Heater 2 ( 5°C ± 5°C ON)
  - Fan ( 45°C ± 5°C ON)
  - Defroster ( Always ON)
11. Dimension
  - Outside : 184mm(W) x 127mm(H) x 460mm(D)
  - Inside : 91mm(W) x 78mm(H) x 190mm(D)
12. Color
  - Pantone Cool Gray 1C
13. Accessories
  - Housing
    - : ¼" -20X3/8" Screw (x2), Spring Washer (x1)
    - Flat Washer (x1), Wrench(x1)
  - Bracket
    - : ¼" × 1/2" Screw (x4)

## 4. Product Specifications

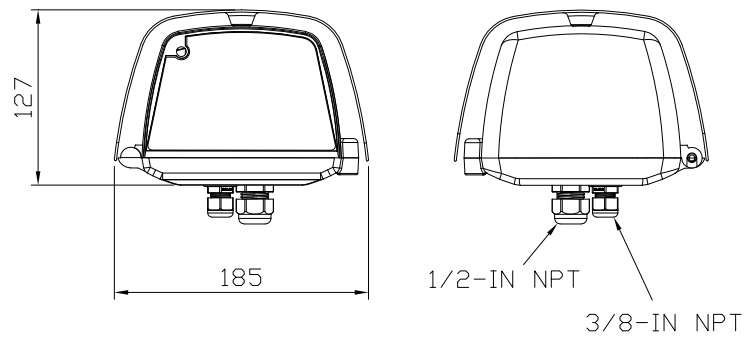
1. Model Name : SHB-4300H2
2. Purpose : Outdoor Housing
3. Product Name : Box Camera Housing
4. Features : Dustproof, waterproof, IP66
5. Material : Aluminium Die-Casting ADC 12
6. Use Condition : -50°C ~ +50 °C
7. Weight : 3.7kg
8. Input Power : AC230V
9. Power
  - Consumption : Heater ( 20W \* 2EA)
  - FAN ( 5W )
  - Defroster ( 10W)
10. Operation
  - Temperature : Heater 1 ( -5°C ± 5°C ON)
  - Heater 2 ( 5°C ± 5°C ON)
  - Fan ( 45°C ± 5°C ON)
  - Defroster ( Always ON)
11. Dimension
  - Outside : 184mm(W) x 127mm(H) x 460mm(D)
  - Inside : 91mm(W) x 78mm(H) x 190mm(D)
12. Color
  - Pantone Cool Gray 1C
13. Accessories
  - Housing
    - : ¼" -20X3/8" Screw (x2), Spring Washer (x1)
    - Flat Washer (x1), Wrench(x1)
  - Bracket
    - : ¼" × 1/2" Screw (x4)

## 5. exterior

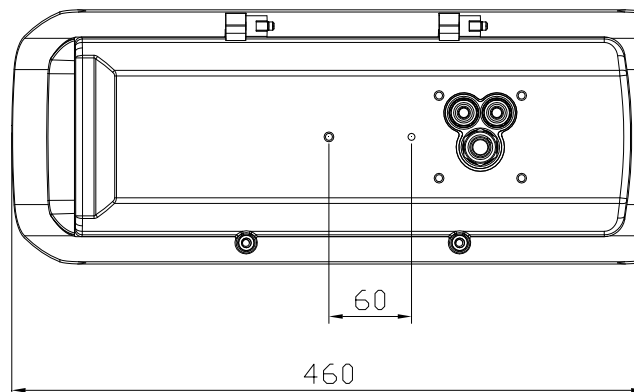
- Body



- Front, Rear



- Mount Base

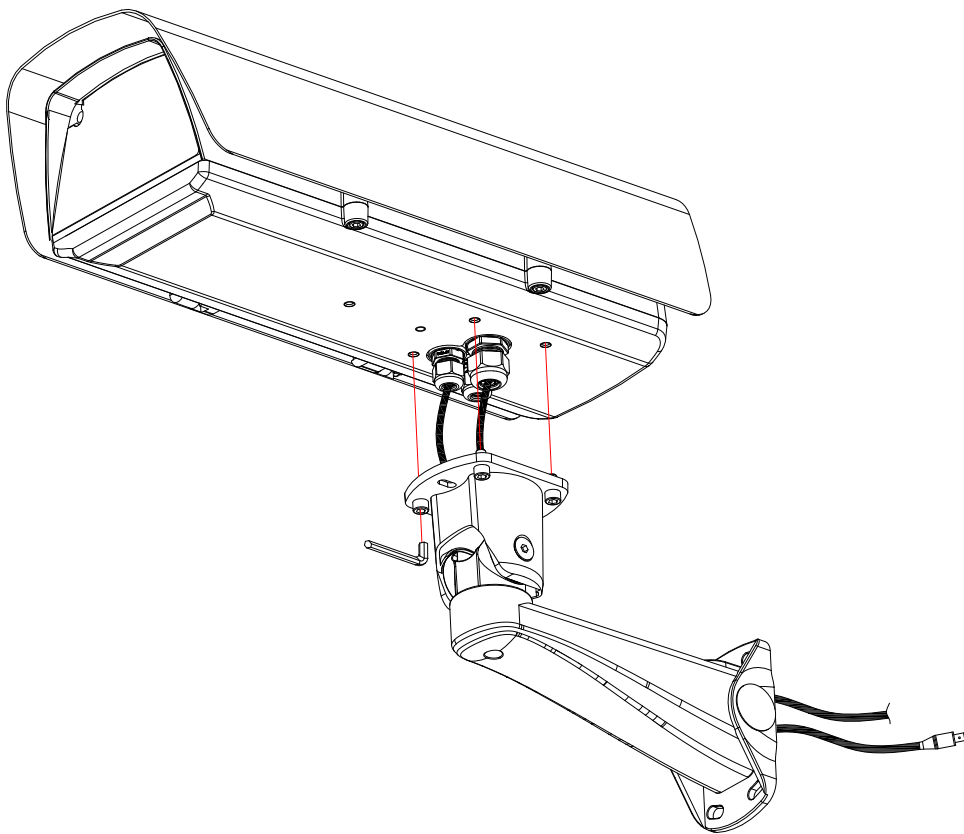








## 7. Installing the bracket



# MEMO

# MEMO

