

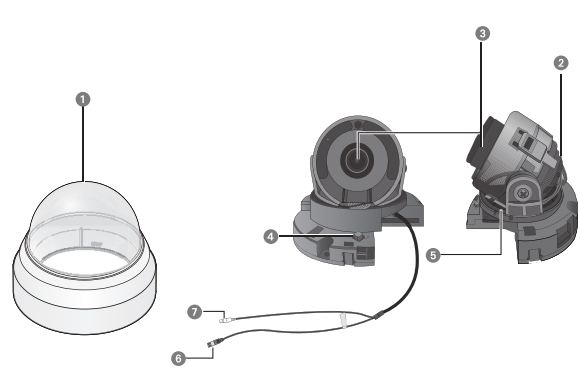
# High Resolution Dome Camera

## Quick Manual

HCD-6010

## ENGLISH

## HCD-6010 Quick Manual

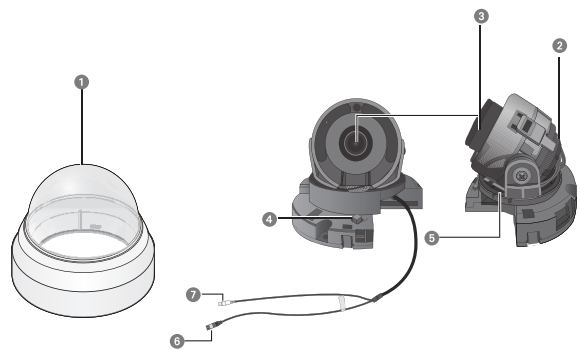


1. **Dome Cover**
2. **Rotate Base** : Control rotating angle of camera.
3. **Lens Module**
4. **Function Setup switch**: Display the menu on the screen and move the cursor to four directions to confirm status or changing a selected item.  
× Switching between AHD and CVBS modes: Press the SET button for more than 5 seconds.
5. **Pan Base** : Control panning angle of camera.
6. **Power input terminal** : Connect the power as specified for each model here.
7. **Video Output Jack** : Video signals are output through this port. Connect this port to the Video IN port of a DVR.

MAIN SETUP	
▶ 1. VIDEO FORMAT	AHD ← ↓ → CVBS
2. PROFILE	BASIC → DAY/NIGHT / BACKLIGHT / ITS / INDOOR / USER
3. WHITE BAL	ATW → INDOOR / OUTDOOR / MANUAL / AWC-SET
4. EXPOSURE	← ↓ → BRIGHTNESS / LENS / SHUTTER / AGC / SSNR4 / SDR / RETURN
5. BACKLIGHT	OFF / USER BLC / HLC / WDR
6. SPECIAL	← ↓ → DISPLAY / COAX / IMAGE ADJ / DAY/NIGHT / DEFOG / PRIVACY / MOTION / RETURN
7. EXIT	SAVE / NOT SAVE / RESET

## DEUTSCH

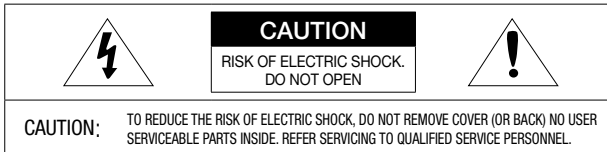
## HCD-6010 Kurzanleitung



1. **Domkuppel**
2. **Drehbasis** : Für die Steuerung des Drehwinkels der Kamera
3. **Objektivmodul**
4. **Funktion-Setup-Schalter** : Anzeigen des Bildschirmen und Bewegungen des Cursors in vier Richtungen zur Statusbestät oder nach Änderung eines Elements.  
× Umschalten zwischen den Modi AHD und CVBS: Drücken Sie die SET-Taste länger als 5 Sekunden.
5. **Supporto Pan** : Für die Steuerung des Schwenkwinkels der Kamera.
6. **Netzeingang** : Schließen Sie die für das jeweilige Modell angegebene Stromversorgung hier an.
7. **Video-Out-Anschlussbuchse** : Videosignale werden über diesen Port ausgegangen. Verbinden Sie diesen Port mit einem DVR-Videoeingang.

HAUPTMENÜ	
▶ 1. VIDEO FORMAT	AHD ← ↓ → CVBS
2. PROFIL	GRUND → GRUND / TAG/NACHT / GEGENLICHT / ITS / INNEN / USER
3. WEISAB	ATW → ATW / INNEN / AUßEN / MANUELL / AWC-SET
4. BELICHTUNG	← ↓ → HELIGKEIT / OBJEKTIV / VERSCHLUSS / AGC / SSNR4 / SDR / ZURÜCK
5. GEGENLICHT	AUS / USER BLC / HLC / WDR
6. SPEZIAL	← ↓ → ANZEIGEN / COAX / EINST BILD / TAG/NACHT / DEFOG / PRIVAT / BEWEGUNGS / ZURÜCK
7. BEENDEN	SPEICHERN → SPEICHERN / NOT SAVE / RÜCKS

## Safety Information



This symbol indicates that dangerous voltage consisting a risk of electric shock is present within this unit.



This exclamation point symbol is intended to alert the user to the presence of important operating and maintenance (servicing) instructions in the literature accompanying the appliance.

## WARNING

- To prevent damage which may result in fire or electric shock hazard, do not expose this appliance to rain or moisture.
- To prevent injury, this apparatus must be securely attached to the floor/wall in accordance with the installation instructions.

## WARNING


- Be sure to use only the standard adapter that is specified in the specification sheet. Using any other adapter could cause fire, electrical shock, or damage to the product.
- Incorrectly connecting the power supply or replacing battery may cause explosion, fire, electric shock, or damage to the product.
- Do not connect multiple cameras to a single adapter. Exceeding the capacity may cause abnormal heat generation or fire.
- Securely plug the power cord into the power receptacle. Insecure connection may cause fire.
- When installing the camera, fasten it securely and firmly. The fall of camera may cause personal injury.
- Do not place conductive objects (e.g. screwdrivers, coins, metal parts, etc.) or containers filled with water on top of the camera. Doing so may cause personal injury due to fire, electric shock, or falling objects.
- Do not install the unit in humid, dusty, or sooty locations. Doing so may cause fire or electric shock.
- If any unusual smells or smoke come from the unit, stop using the product. In such case, immediately disconnect the power source and contact the service center. Continued use in such a condition may cause fire or electric shock.
- If this product fails to operate normally, contact the nearest service center. Never disassemble or modify this product in any way. (Hanwha Techwin is not liable for problems caused by unauthorized modifications or attempted repair.)
- When cleaning, do not spray water directly onto parts of the product. Doing so may cause fire or electric shock.

## CAUTION

- Do not drop objects on the product or apply strong shock to it. Keep away from a location subject to excessive vibration or magnetic interference.

- Do not install in a location subject to high temperature, low temperature, or high humidity. Doing so may cause fire or electric shock.
- If you want to relocate the already installed product, be sure to turn off the power and then move or reinstall it.
- Remove the power plug from the outlet when there is a lightning. Neglecting to do so may cause fire or damage to the product.
- Keep out of direct sunlight and heat radiation sources. It may cause fire.
- Install it in a place with good ventilation.
- Avoid aiming the camera directly towards extremely bright objects such as sun, as this may damage the CMOS image sensor.
- Apparatus shall not be exposed to dripping or splashing and no objects filled with liquids, such as vases, shall be placed on the apparatus.
- The Mains plug is used as a disconnect device and shall stay readily operable at any time.
- Do not expose the camera to radioactivity. Radioactivity exposure may damage the CMOS.

## Important Safety Instructions

- Read these instructions.
- Keep these instructions.
- Heed all warnings.
- Follow all instructions.
- Do not use this apparatus near water.
- Clean only with dry cloth.
- Do not block any ventilation openings. Install in accordance with the manufacturer's instructions.
- Do not install near any heat sources such as radiators, heat registers, or other apparatus (including amplifiers) that produce heat.
- Do not defeat the safety purpose of the polarized or grounding-type plug. A polarized plug has two blades with one wider than the other. A grounding type plug has two blades and a third grounding prong. The wide blade or the third prong is provided for your safety. If the provided plug does not fit into your outlet, consult an electrician for replacement of the obsolete outlet.
- Protect the power cord from being walked on or pinched particularly at plugs, convenience receptacles, and the point where they exit from the apparatus.
- Only use attachments/accessories specified by the manufacturer.
- Use only with cart, stand, tripod, bracket, or table specified by the manufacturer, or sold with the apparatus. 
- Unplug this apparatus when a card is used. Use caution when moving the cart/ apparatus combination to avoid injury from tip-over.
- Refer all servicing to qualified service personnel. Servicing is required when the apparatus has been damaged in any way, such as powersupply cord or plug is damaged, liquid has been spilled or objects have fallen into the apparatus, the apparatus has been exposed to rain or moisture, does not operate normally, or has been dropped.



Apparatus shall not be exposed to dripping or splashing and no objects filled with liquids, such as vases, shall be placed on the apparatus

## Informations relatives à la sécurité



Ce symbole indique la présence, dans cette unité, d'une tension élevée et avise des risques de décharge électrique existants.



Ce symbole indique la présence, dans cette unité, d'une tension élevée et avise des risques de décharge électrique existants.

## ATTENTION

- Afin de réduire le risque d'incendie ou de décharge électrique, n'exposez pas cet appareil à la pluie ni à l'humidité.
- Pour éviter les blessures, cet appareil doit être fermement fixé au sol/mur conformément aux consignes d'installation.

## ATTENTION

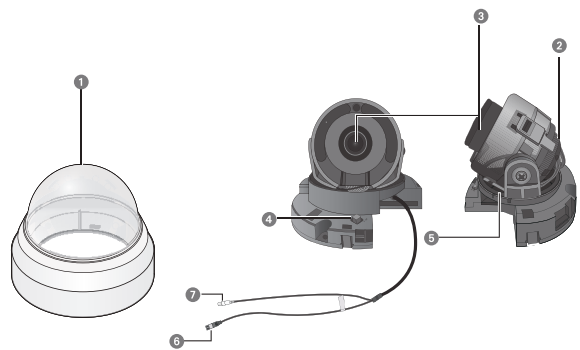
- Assurez-vous d'utiliser uniquement l'adaptateur standard spécifié dans la fiche des caractéristiques techniques. Utiliser tout autre adaptateur peut provoquer des risques d'incendie ou des chocs électriques et endommager le produit.
- Un branchement incorrect de l'alimentation électrique ou un mauvais remplacement de la pile peut provoquer des risques d'incendie, des chocs électriques ou des dommages au produit.
- Ne pas connecter plusieurs caméras à un seul adaptateur. Dépasser la capacité peut générer une chaleur anormale ou un risque d'incendie.
- Branchez correctement le cordon d'alimentation dans la prise. Une mauvaise connexion peut provoquer des risques d'incendie.
- Lors de l'installation de la caméra, attachez-la fermement et en toute sécurité. Une caméra qui tombe peut causer des blessures.
- Ne placez pas d'objets conducteurs (tournevis, pièces de monnaie, objets en métal, etc... par exemple) ou des récipients remplis d'eau sur la caméra. Cela peut causer des blessures dues au feu, au choc électrique ou à la chute d'objets.
- Ne pas installer l'appareil dans des lieux humides, poussiéreux ou couverts de saie. Cela peut provoquer des risques d'incendie ou des chocs électriques.
- Si vous constatez une odeur ou une fumée inhabituelle provenant de l'appareil, arrêtez immédiatement son utilisation. Dans de tel cas, déconnectez immédiatement la source d'alimentation et contactez le centre de maintenance. Si vous continuez à utiliser le produit dans de telle condition, cela peut provoquer des risques d'incendie ou des chocs électriques.
- Si ce produit ne fonctionne pas normalement, contactez le centre de maintenance le plus proche. Ne jamais démonter ou modifier le produit de quelque manière que se soit. (Hanwha Techwin n'est pas responsable des problèmes causés par des modifications ou des tentatives de réparation non autorisées.)
- Lors du nettoyage, ne pas diriger l'eau directement sur les pièces de l'appareil. Cela peut provoquer des risques d'incendie ou des chocs électriques.

## MISE EN GARDE

- Ne pas faire tomber des objets sur le produit ou lui faire subir des chocs. Eloignez le produit des emplacements soumis aux vibrations ou interférences magnétiques excessives.

## ITALIANO

## HCD-6010 Guida rapida

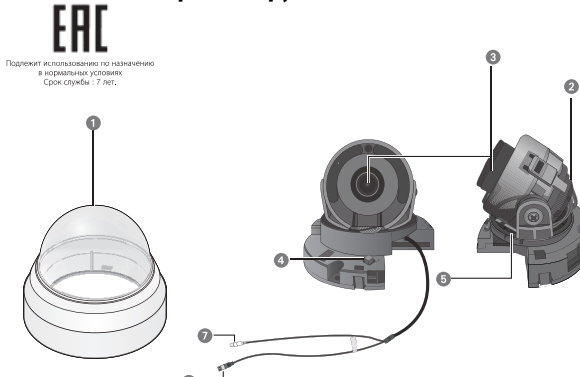


1. **Custodia a cupola**
2. **Supporto girevole** : Controllo angolo di rotazione della videocamera.
3. **Modulo lente**
4. **Pulsante impostazione funzioni** : Visualizza il menù e permette di scorrere il cursore in quattro direzioni per confermare o modi la voce selezionata.  
× Per passare dalla modalità AHD a quella CVBS e viceversa, premere il tasto SET per più di 5 secondi.
5. **Supporto Pan** : Controllo angolo di rotazione orizzontale (pan) della videocamera.
6. **Terminale alimentazione** : Collegare l'alimentazione secondo le indicazioni del modello utilizzato.
7. **Jack Video in uscita** : I segnali video sono trasmessi attraverso questa porta. Connettere questa porta alla porta di entrata Video di un DVR.

PRINCIPALE	
▶ 1. VIDEO FORMAT	AHD ← ↓ → CVBS
2. PROFILO	BASE → BASE / GIORNO/NOTTE / CONTROLLUCE / ITS / INTERNO / USER
3. BIL BIANCO	ATW → ATW / INTERNO / ESTERNO / MANUALE / AWC-SET
4. ESPOSIZIONE	← ↓ → LUMINOSITÀ / OBIETTIVO / OTTURATORE / AGC / SSNR4 / SDR / RITORNO
5. CONTROLLUCE	OFF / USER BLC / HLC / WDR
6. SPECIALE	← ↓ → MOSTRA / COAX / REC IMMAGINE / GIORNO/NOTTE / DEFOG / MASQUAGE / DEPLACEMENT / RETOUR
7. ESCITA	SALVA → SALVA / NOT SAVE / REIMPOSTA

## РУССКИЙ

## HCD-6010 Краткое руководство пользователя



1. **Купольная крышка**
2. **Вращающееся основание** : регулировка угла вращения камеры.
3. **Модуль объектива**
4. **Переключатель настройки функций** : вывести меню на экран и перемещать курсор по четырем направлениям для подтверждения состояния или после изменения выбранной функции.  
× Чтобы переключиться между режимами AHD и CVBS, держать кнопку SET (ОСТАНОВИТЬ) нажатой дольше 5 секунд.
5. **Наклонное основание** : регулировка угла наклона камеры.
6. **Разъем ввода питания** : Подключить питание как указано в настоящем документе для конкретной модели.
7. **Штекер вывода видеосигнала** : Видеосигналы выводятся через этот порт. Соедините этот порт с портом Video IN (Вход видео) цифрового видеореєистратора (DVR).

MAIN SETUP	
▶ 1. VIDEO FORMAT	AHD ← ↓ → CVBS
2. ПРОФИЛЬ	БАЗОВЫЙ → БАЗОВЫЙ / ДЕНЬ/НОЧЬ / ФОНОВАЯ ЗАСВ / ITS / В ПОМЕЩЕНИИ / USER
3. БАЛАНС БЕЛ.	АТW → АТW / ВНУТРИ / ВНЕШНЯЯ / АWC-SET
4. ЭКСПОЗИЦИЯ	← ↓ → ЯРКОСТЬ / ОБЪЕКТИВ / ЗАТВОР / AGC/APU / SSNR4 / SDR / ВОЗВРАТ
5. BACKLIGHT	ВЫКЛ. → ВЫКЛ. / USER BLC / HLC / WDR
6. СПЕЦ. ФУНКЦИИ	← ↓ → MOSTRA / COAX / REC IMMAGINE / GIORNO/NOTTE / DEFOG / PRIVAT / MOVIM. / RITORNO
7. ВЫХОД	СОХРАНИТЬ → ОТОБРАЗИТЬ/СОХР.ИЗБ. / ДЕНЬ/НОЧЬ / DEFOG / ПРИВАТНОСТЬ/ДВИЖЕНИЕ/ВОЗВРАТ

## Head Office

6, Pangyo-ro 319 beon-gil, Bundang-gu, Seongnam-si,  
Gyeonggi-do, 463-400 Rep. of KOREA  
Tel.: +82.70.7147.8753 Fax : +82.31.8018.3740  
www.hanwha-security.com

## Hanwha Techwin America

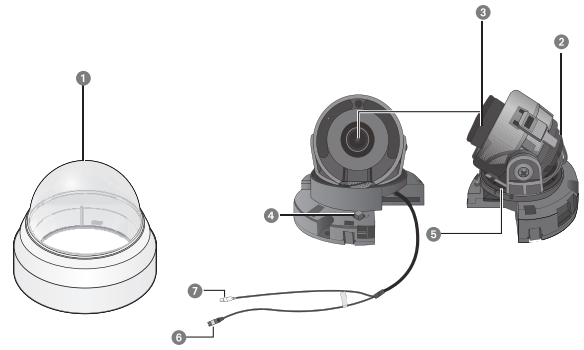
500 Frank W. Burr Blvd, Suite 43 Teaneck, NJ 07666  
Toll Free +1.877.213.1222 Direct +1.201.325.6920  
Fax +1.201.373.0124  
www.hanwha-security.com

## Hanwha Techwin Europe

Heriot House, Heriot Road, Chertsey, Surrey, KT16 9DT, United Kingdom  
Tel +44.1932.57.8100 Fax +44.1932.57.8101  
www.hanwha-security.eu



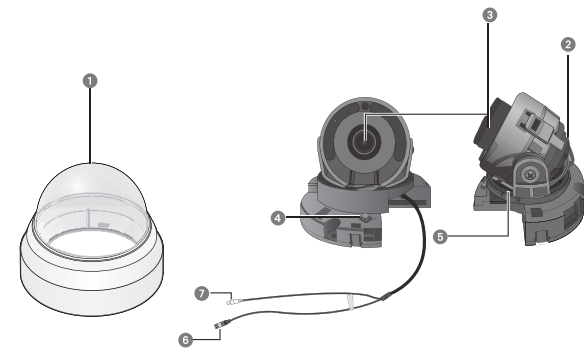
### HCD-6010 Skrócona instrukcja obsługi



- 1 Ostona kopułki
- 2 Podstawa obrotowa : sterowanie kątem obrotu kamery.
- 3 Moduł obiektywu
- 4 Przelicznik ustawiania funkcji : Wyświetla menu ekranowe i przesuwa kursor w czterech kierunkach w celu potwierdzenia stanu zmiany zaznaczonej pozycji.  
※ Przelączanie pomiędzy trybami AHD i CVBS: naciśnij przycisk SET i przytrzymaj go przez co najmniej 5 sekund.
- 5 Podstawa Pan : sterowanie kątem panoramowania kamery.
- 6 Gniazdo wejściowe zasilania : Podłącz zasilanie, zgodnie z instrukcjami dotyczącymi każdego modelu.
- 7 Gniazdo wyjściowe sygnałów wizyjnych : Sygnały wideo są wysyłane przez ten port. Należy połączyć ten port z portem Video IN rejestratora wideo DVR.

GŁÓWNA	
▶ 1.VIDEO FORMAT AHD↵	→ AHD / TVI / CVI / CVBS
2. PROFIL PODSTAWOWY	→ PODSTAWOWY / DZIEŃ/NOC / BACKLIGHT / ITS / WEWNĄTRZ / USER
3. BALANS BIELI ATW	→ ATW / WEWNĄTRZ / NA ZEWNĄTRZ / RĘCZNE / AWC-SET
4. EKSPOZYCJA ↵	→ JASNOŚĆ / OBIEKTYWU / SPUST / AGC / SSNR4 / SDR / ZWROTNY
5. BACKLIGHT WYL	→ WYL / USER BLC / HLC / WDR
6. SPECJALNE ↵	→ WYŚWIETLANIE / COAX / REG. OBRAZU / DZIEŃ/NOC / DEFOG / PRYWATNOŚĆ / RUCH / ZWROTNY
7. WYJŚCIE ZAPISZ	→ ZAPISZ / NIE ZAPISZ / RESET

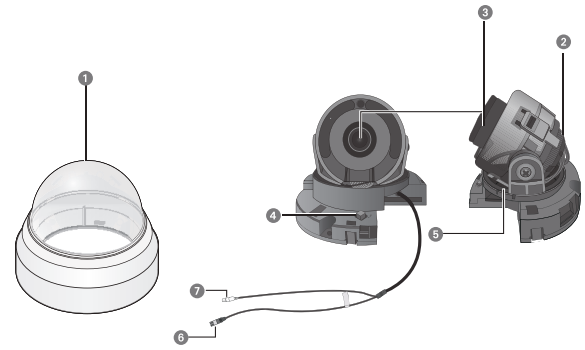
### HCD-6010 간단 설명서



- 1 돔 커버
- 2 Rotate Base : Rotate 각도를 조정합니다.
- 3 렌즈 모듈
- 4 기능설정 스위치 : 메뉴를 화면에 표시한 후, <상/하/좌/우>로 이동시켜 원하는 항목을 선택하거나 값이나 상태를 바꾸는데 사용합니다.  
※ AHD ↔ CVBS 모드 변경 : SET 버튼을 5초 이상 누릅니다.
- 5 Pan Base (수평회전) : 카메라의 Panning을 조절합니다.
- 6 전원 입력 단자
- 7 영상출력단자

기능설정	
▶ 1.VIDEO FORMAT AHD ↵	→ AHD / TVI / CVI / CVBS
2.간편설정 표준모드	→ 표준모드/주야간모드/역광보정/교통신호모드/실내보정/사용자모드
3.화이트밸런스 자동	→ 자동/실내보정/실외보정/수동/일시보정→SET버튼
4.노출보정 ↵	→ 밝기조정/렌즈/셔터/개인/SSNR4/SSDR/복귀
5.역광보정 미사용	→ 미사용/사용지역광보정/HLC/광역역광보정
6.스태셜설정 ↵	→ 화면표시/COAX/이미지설정/주야간모드/DEFOG/프라이버시/동적/복귀
7.종료 저장	→ 저장/저장안함/설정초기화

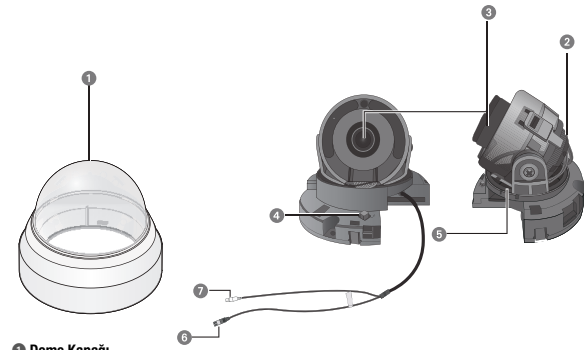
### HCD-6010 Snabbmanual



- 1 Kupolhölje
- 2 Roteringssockel : Styr kamerans roteringsvinkel.
- 3 Linsmodul
- 4 Funktionsinställningsomkopplare : Visa meny på skärmen och flytta markören åt fyra håll för bekräfta status eller efter ändring av ett valt objekt.  
※ Przelączanie pomiędzy trybami AHD i CVBS: Tryck på SET-knappen i mer än 5 sekunder.
- 5 Panoreringssockel : Styr kamerans panoreringsvinkel.
- 6 Strömförsörjningsingång : Anslut den typ av strömförsörjning som specificeras för respektive modell här.
- 7 Videoutgångsuttag : Videosignaler skickas via den här porten. Anslut den här porten till Video In-porten på en DVR-enhet.

MAIN SETUP	
▶ 1.VIDEO FORMAT AHD↵	→ AHD / TVI / CVI / CVBS
2. PROFIL BAS	→ BAS / DAG/NATT / MOTLJUS / ITS / INOMHUS / ANVANDARE
3. VITBAL. ATW	→ ATW / INOMHUS / UTOMHUS / MANUELL / AWC-SET
4. EXPONERING ↵	→ LJUSSTYRKA / LINS / SLUTARE / AGC / SSNR4 / SDR / ÅTERGÅ
5. MOTLJUS AV	→ AV / USER BLC / HLC / WDR
6. SPECIAL ↵	→ VISNING / COAX / BILDJUST. / DAG/NATT / DEFOG / AVSKILDHET / RÖRELSE / ÅTERGÅ
7. GÅ UR SPARA	→ SPARA / EJ / ÅTER

### HCD-6010 Hızlı Kılavuz

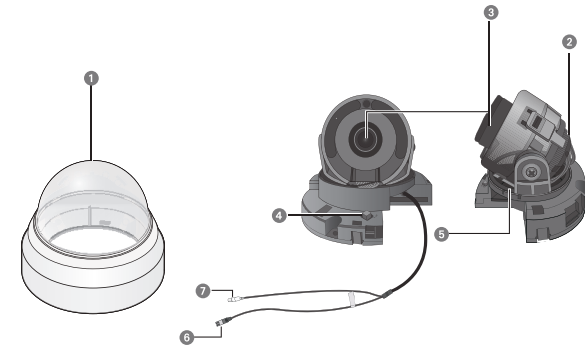


- 1 Dome Kapağı
- 2 Döndürme Tabanı : Kameranın dönme açısını kontrol eder.
- 3 Lens Modülü
- 4 Foksiyon Ayar düğmesi : Menüü ekranda görüntüledikten sonra imleci dört istikamette kaydırarak durum ya da seçilen öge değişimini teyit edin.  
※ AHD ve CVBS modlan arasında geçiş yapma: SET düğmesine 5 saniyeden daha uzun bir süre basın.
- 5 Kaydırma Tabanı : Kameranın kaydırma açısını kontrol eder.
- 6 Güç giriş terminali : Her model için belirlenen güç kaynağını buraya bağlayın.
- 7 Video Çıkış Jaki : Video sinyalleri bu bağlantı noktası üzerinden gönderilir. Bu bağlantı noktasını DVR in Video IN bağlantı noktasına bağlayın.

ANA AYAR	
▶ 1.VIDEO FORMAT AHD↵	→ AHD / TVI / CVI / CVBS
2. PROFİL TEMEL	→ TEMEL / GÜNDÜZ/GECE / ARKA IŞIK / ZEK / İÇ MEKAN / KULLANICI
3. BEYAZ DENG BDOİ	→ BDOİ / İÇ MEKAN / DİŞ MEKAN / MANUEL / OBDK→SET
4. POZLAMA ↵	→ PARLAKLIK / LENS / ORBURATÖR / OAK / SSNR4 / SDR / GR DÖN
5. ARKA IŞIK KAPALI	→ KAPALI / USER BLC / HLC / GDA
6. ÖZEL ↵	→ EKRAN / COAX / GRNT AYR ADJ / GÜNDÜZ/GECE / DEFOG / GİZLİLİK / HAREKET / GR DÖN
7. ÇIK KAYDET	→ KAYDET / KAYDETME / SIFIRLAMA

• Çihazın Ticaret Bakanlığına önerilen ortalama ömrü. EDİ Elektronik Destek Sanayi ve Ticaret Ltd. Şti. Kocayuncu Elektronik Bilgi İşlem Sistemleri San. ve Dğ. Tic. A.Ş. NFS Teknoloji ve Otomasyon Sistemleri San. Ve Tic. Ltd. Şti. Sensonet Teknoloji Ekt. ve Bileş. Hiz. San. ve Tic. Ltd. Şti.

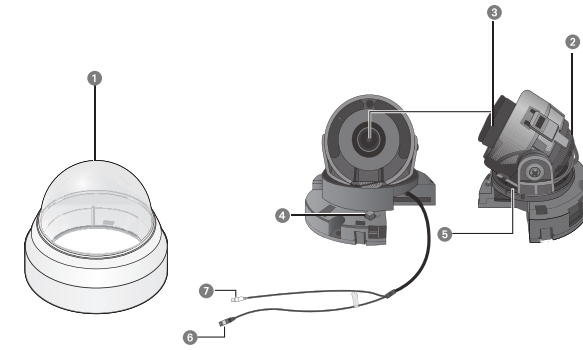
### HCD-6010 Manual Rápido



- 1 Cobertura de abóbada
- 2 Base de rotação : controla o ângulo de rotação da câmara.
- 3 Módulo de lente
- 4 Chave de configuração de função : Exibe o menu na tela e move o cursor para quatro direções para confirmar o status ou depois da alteração um item selecionado.  
※ Alternância entre os modos AHD e CVBS: Pressione o botão SET (Definir) por mais de 5 segundos.
- 5 Base horizontal : controla o ângulo horizontal da câmara.
- 6 Terminal de entrada de energia : Conecte aqui o cabo de energia como especificado para cada modelo.
- 7 Tomada de saída de vídeo : Os sinais de vídeo saem por esta porta. Conecte esta porta à porta de Entrada de Vídeo de um DVR.

PRINCIPAL	
▶ 1.VIDEO FORMAT AHD↵	→ AHD / TVI / CVI / CVBS
2. PERFIL BÁSICO	→ BÁSICO / DIA/NOITE / BACKLIGHT / ITS / INTERIOR / USER
3. EQUIL BRANCO EAC	→ EAC / INTERIOR / EXTERIOR / MANUAL / CAE→AJUST
4. EXPOSIÇÃO ↵	→ BRILHO /LENTE / OBTURADOR / CGA / SSNR4 / SDR / RETORN
5. BACKLIGHT DESL	→ DESL / BLC / CPL / WDR
6. ESPECIAL ↵	→ EXIBIÇÃO / COAX / AJ IMAGEM / DIA/NOITE /DEFOG / PRIVACIDADE / MOVIM. / RETORN
7. SAIR SALVAR	→ SALVAR / NÃO SALV / RESET

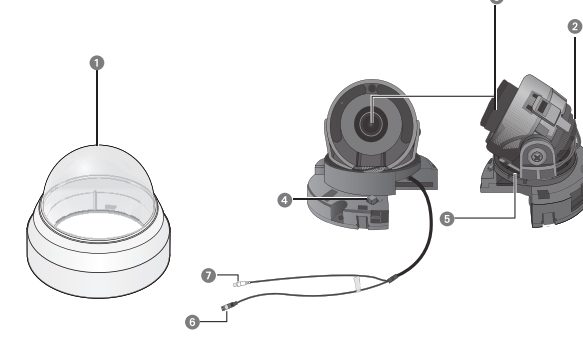
### HCD-6010 Snelgids



- 1 Koepelklep
- 2 Draaiende basis : Regel de draaihoek van de camera.
- 3 Lensmodule
- 4 Functiesetupschakelaar : Geef het menu op het scherm weer en beweeg de cursor in vier richtingen om de status of wijziging van een geselecteerd item te controleren.  
※ Schakelen tussen AHD- en CVBS-modus: Houd de knop Inst. minimaal 5 seconden ingedrukt.
- 5 Panbasis : Regel de panhoek van de camera.
- 6 Voedingsinvoerterminal : Sluit de voeding aan zoals hier voor elk model is opgegeven.
- 7 Video-uitgang-aansluiting : Via deze poort worden videosignalen uitgevoerd. Sluit deze poort aan op de Video-ingang-poort van een DVR.

MAIN SETUP	
▶ 1.VIDEO FORMAT AHD↵	→ AHD / TVI / CVI / CVBS
2. PROFILE BASIC	→ BASIC / DAY/NIGHT / BACKLIGHT / ITS / INDOOR / USER
3. WHITE BAL ATW	→ ATW / INDOOR / OUTDOOR / MANUAL / AWC-SET
4. EXPOSURE ↵	→ BRIGHTNESS / LENS / SHUTTER / AGC / SSNR4 / SDR / RETURN
5. BACKLIGHT OFF	→ OFF / USER BLC / HLC / WDR
6. SPECIAL ↵	→ DISPLAY / COAX / IMAGE ADJ / DAY/NIGHT /DEFOG / PRIVACY / MOTION / RETURN
7. EXIT SAVE	→ SAVE / NOT SAVE / RESET

### HCD-6010 الدليل السريع للكاميرا



- 1 غطاء القبة
- 2 قاعدة الدوران: التحكم في زاوية تدوير الكاميرا.
- 3 وحدة عدسة
- 4 مفتاح إعداد الوظائف: عرض القائمة على الشاشة وتحريك المؤشر في الاتجاهات الأربعة لتأكيد الحالة أو تغيير العنصر المحدد.  
※ التبديل بين أوضاع AHD و CVBS: اضغط على زر SET أكثر من 5 ثوانٍ.
- 5 قاعدة التحريك: التحكم في زاوية تحريك الكاميرا.
- 6 طرف إدخال الطاقة: توصيل الطاقة كما هو محدد لكل طراز هنا.
- 7 منفذ إخراج الفيديو: يتم إخراج إشارات الفيديو عبر هذا المنفذ. وصل هذا المنفذ بمدخل الفيديو لجهاز DVR.

MAIN SETUP	
▶ 1.VIDEO FORMAT AHD↵	→ AHD / TVI / CVI / CVBS
2. PROFILE BASIC	→ BASIC / DAY/NIGHT / BACKLIGHT / ITS / INDOOR / USER
3. WHITE BAL ATW	→ ATW / INDOOR / OUTDOOR / MANUAL / AWC-SET
4. EXPOSURE ↵	→ BRIGHTNESS / LENS / SHUTTER / AGC / SSNR4 / SDR / RETURN
5. BACKLIGHT OFF	→ OFF / USER BLC / HLC / WDR
6. SPECIAL ↵	→ DISPLAY / COAX / IMAGE ADJ / DAY/NIGHT /DEFOG / PRIVACY / MOTION / RETURN
7. EXIT SAVE	→ SAVE / NOT SAVE / RESET

### 품질보증서

제 품 명	High Resolution Dome Camera	보 증 기 간
모 델 명	HCD-6010	구입후 2년 (소모품 제외)
구 입 일 자	년 월 일	
보 증 기 간	년 월 일 까지	

고객주소	성 명	
	연 락 처	
판매점주소(상호)	성 명	
	연 락 처	

※ 제품 판매시 공란의 내용을 필히 기입하여 주십시오.

### ◀ 서비스를 받으실 때 ▶

사용설명서를 한번 더 읽어주십시오.  
고장이라 생각되면 서비스를 요청하기 전에 반드시 사용설명서를 한번 더 읽어 주십시오.  
사용미숙 등으로 인한 고장현상이 있으므로 사용설명서의 취급법과 주의사항 등을 보시면 고객 여러분의 손으로도 간단히 해결되는 경우가 있습니다.  
서비스를 요청하시는 방법은?  
요청하실 때는 고장상태를 정확히 알려 주십시오.  
이때 보증서를 함께 제시하시면 보증서에 기재된 내용에 따라 유상, 무상수리의 구분이 됩니다.

**한화테크윈(주)**  
경기도 성남시 분당구 판교로 319번길 6(삼평동 701)  
영 업 TEL 070-7147-8771-9 A/S 및 기술 문의 1588-5772  
부산영업소 TEL 051-320-9951  
대구영업소 TEL 053-742-3098  
광주영업소 TEL 062-941-9559  
대전영업소 TEL 042-489-9840

아래 사항에 따른 고장은 유상 처리됩니다.

- 1) 사용자 취급 부주의에 의한 고장
- 2) 정격전원외의 전원 연결시
- 3) 사용자 임의로 분해, 수리한 경우
- 4) 자연재해에 의한 고장 (화재, 홍수, 해일 등)
- 5) 소모품 교체시

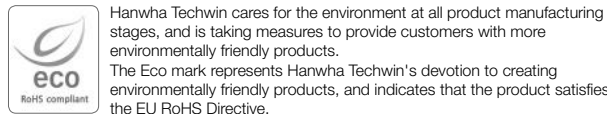
### 한화테크윈주식회사

A급기기 (업무용 방송 통신기자재)  
이 기기는 업무용(A급) 전자파적합기기로서 판매자 또는 사용자는 이 점을 주의하시기 바라며, 가정외의 지역에서 사용하는 것을 목적으로 합니다.

### MEMO

### MEMO

### MEMO



Harwha Techwin cares for the environment at all product manufacturing stages, and is taking measures to provide customers with more environmentally friendly products.  
The Eco mark represents Harwha Techwin's devotion to creating environmentally friendly products, and indicates that the product satisfies the EU RoHS Directive.

### Correct Disposal of This Product (Waste Electrical & Electronic Equipment)

(Applicable in the European Union and other European countries with separate collection systems)  
This marking on the product, accessories or literature indicates that the product and its electronic accessories (e.g. charger, headset, USB cable) should not be disposed of with other household waste at the end of their working life. To prevent possible harm to the environment or human health from uncontrolled waste disposal, please separate these items from other types of waste and recycle them responsibly to promote the sustainable reuse of material resources.

Household users should contact either the retailer where they purchased this product, or their local government office, for details of where and how they can take these items for environmentally safe recycling.  
Business users should contact their supplier and check the terms and conditions of the purchase contract.  
This product and its electronic accessories should not be mixed with other commercial wastes for disposal.

### Correct disposal of batteries in this product

(Applicable in the European Union and other European countries with separate battery return systems.)

This marking on the battery, manual or packaging indicates that the batteries in this product should not be disposed of with other household waste at the end of their working life. Where marked, the chemical symbols Hg, Cd or Pb indicate that the battery contains mercury, cadmium or lead above the reference levels in EC Directive 2006/66. If batteries are not properly disposed of, these substances can cause harm to human health or the environment.

To protect natural resources and to promote material reuse, please separate batteries from other types of waste and recycle them through your local, free battery return system.

### FCC Statement

This device complies with part 15 of the FCC Rules. Operation is subject to the following two conditions :  
This device may not cause harmful interference, and  
This device must accept any interference received including interference that may cause undesired operation.