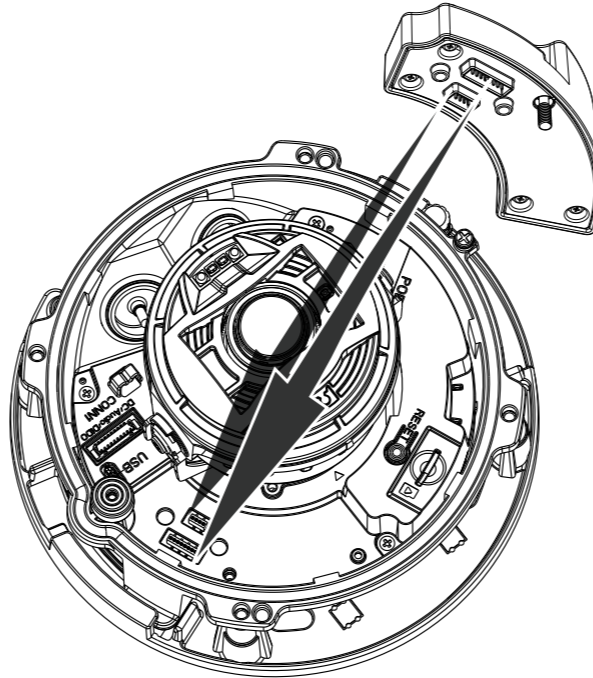


Quick Installation Guide



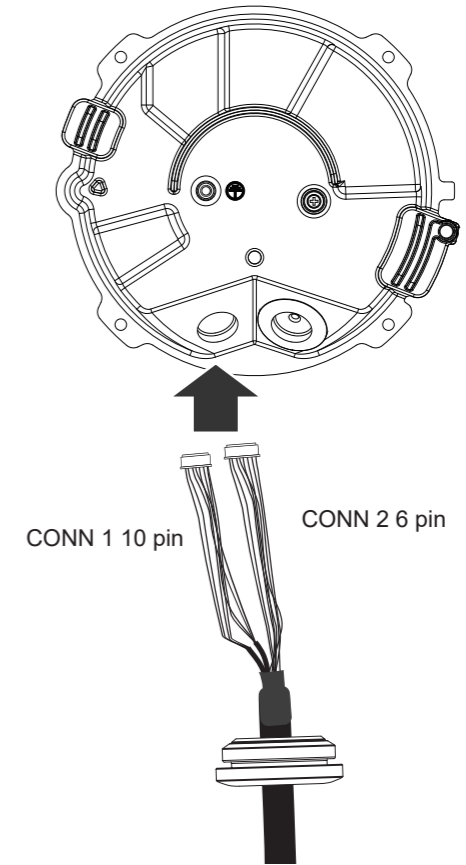
P/N: VIO10000023

1

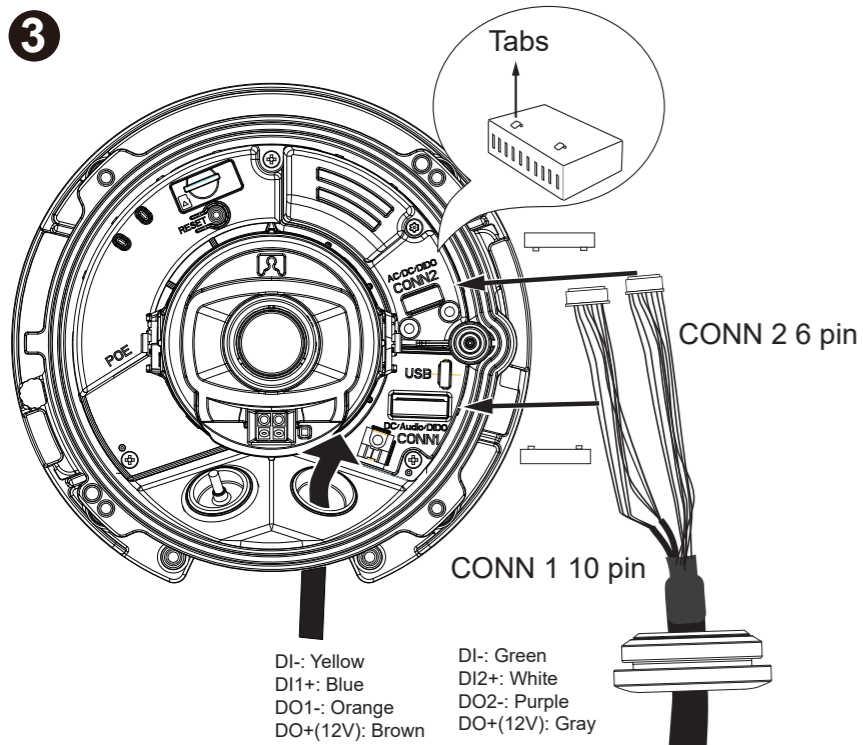


Align with the connector and press down gently.

2



3



Please contact authorized distributors for warranty and RMA service.
Visit <https://www.vivotek.com/support/warranty-rma>

All specifications are subject to change without notice.
Copyright © 2023 VIVOTEK INC. All rights reserved.