

Backbox

SBV-A14B



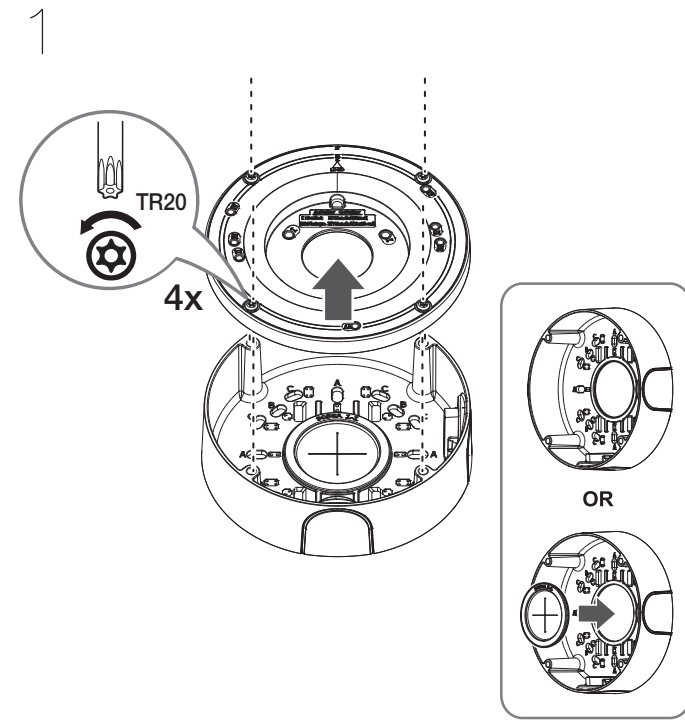
Product Overview

This product is an adapter used in installation that provides a space to install compatible cameras(ANE-L6012R, ANE-L7012R, ANO-L6012R, ANO-L6022R, ANO-L6082R, ANO-L7012R, ANO-L7022R, ANO-L7082R, ANV-L6012R, ANV-L6082R, ANV-L7012R, ANV-L7082R) and connect cables.

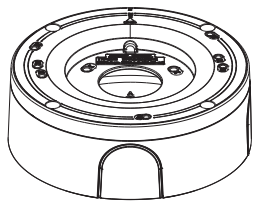
(For compatible models, please visit our website.)

Installation Precautions

- Make sure that the installation place can endure at least 4 times of the total weight of this product and camera.
- Depending on some installation conditions, this product can be connected to 0.75" PF which is a screw peak processed pipe.
- Each anchor bolt must be capable of withstanding an extraction force of 700 kg.
- When installing the product outdoors, use interlocking devices made of stainless steel.



Package



BACKBOX



COVER-HOLE

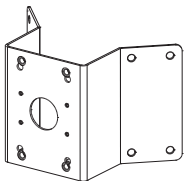


MACHINE SCREW
M4 (3 EA)



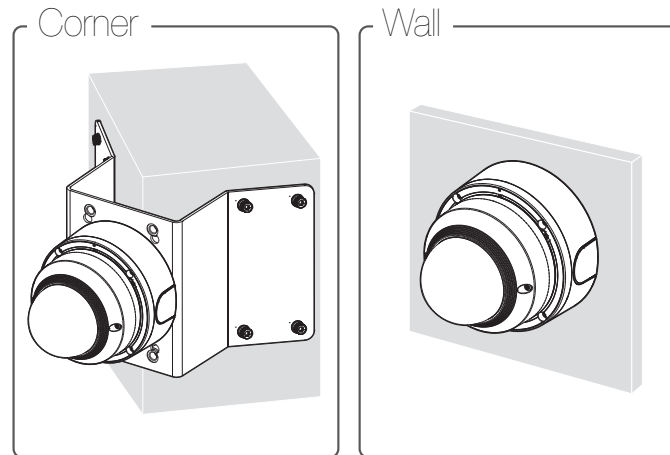
MACHINE SCREW
M5 (3 EA)

Optional Accessory

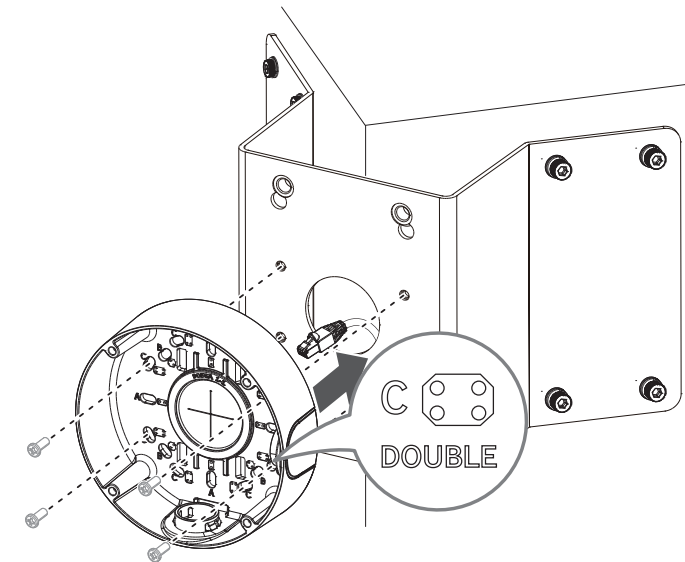


CORNER MOUNT
ADAPTOR
:SBP-300KMW1

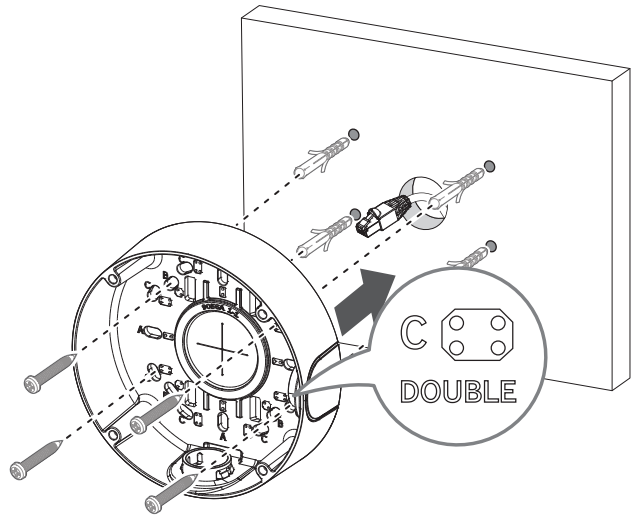
Installation



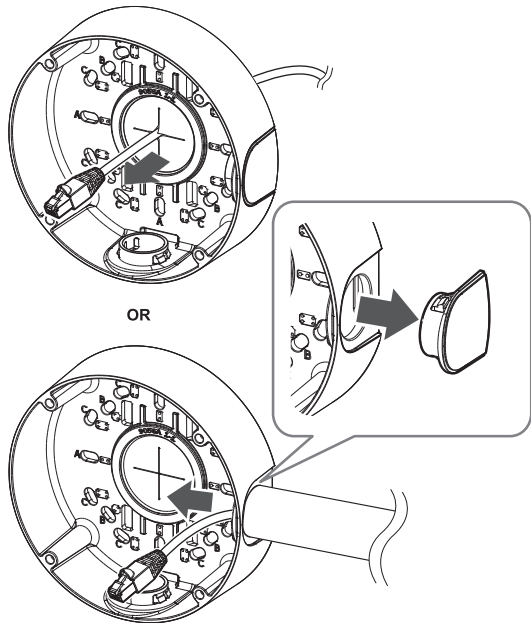
2 (Corner)



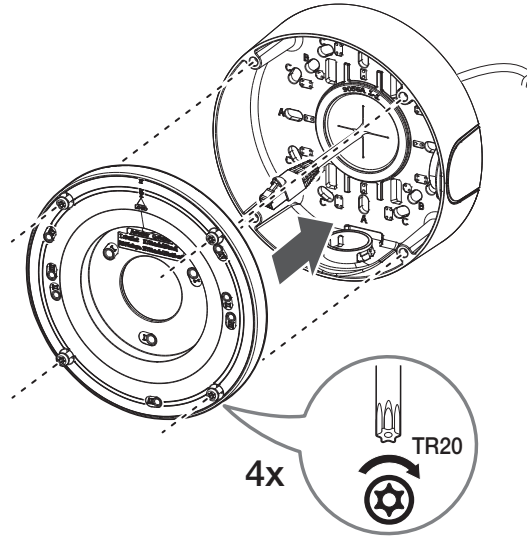
(Wall)



2

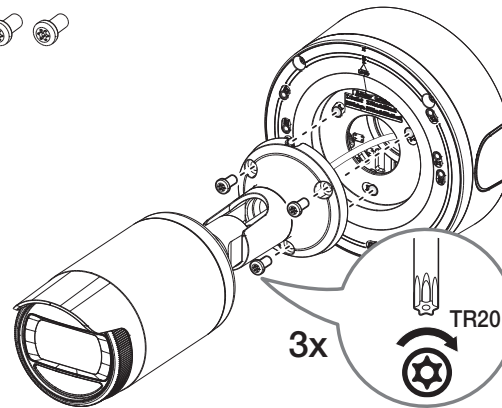
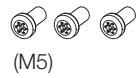


3

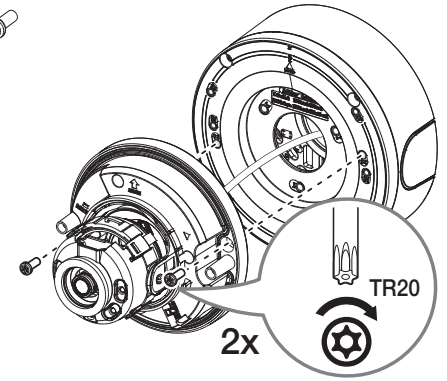


4

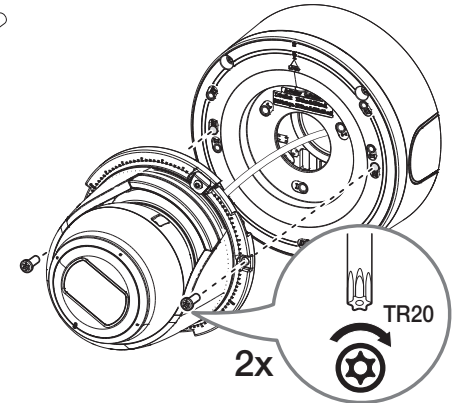
I : Bullet camera



II : Vandal camera(Fixed focal lens)



III : Flateye camera



IV : Vandal camera(Varifocal lens)

