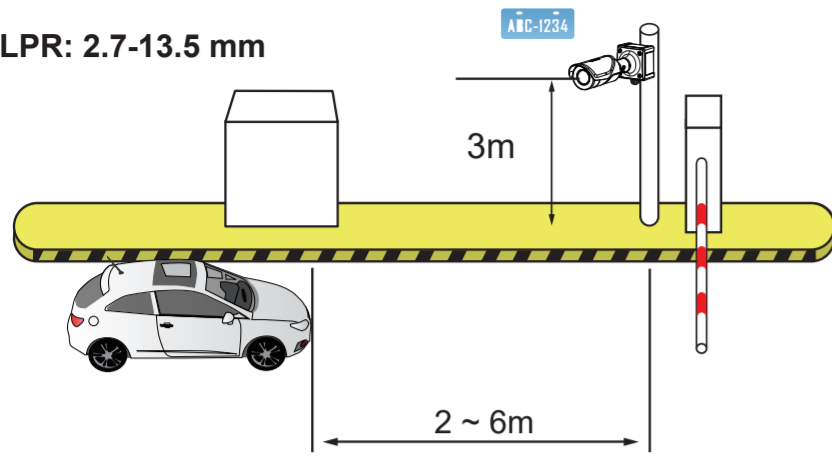


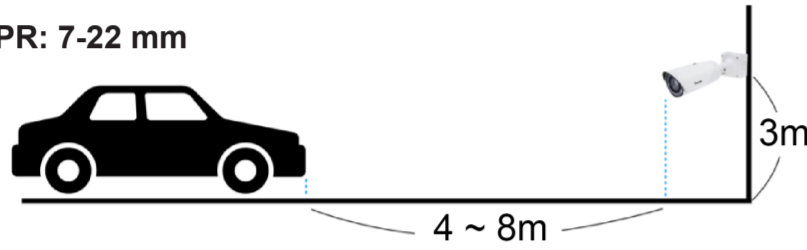
Camera installation location:

- 2.7-13.5 mm: 3 meters above the ground; 2 to 6 meters in front of the car
- 7-22 mm: 3 meters above the ground; 4 to 8 meters in front of the car

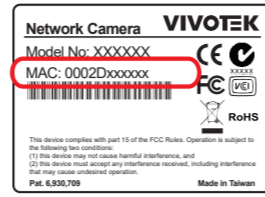
LPR: 2.7-13.5 mm



LPR: 7-22 mm

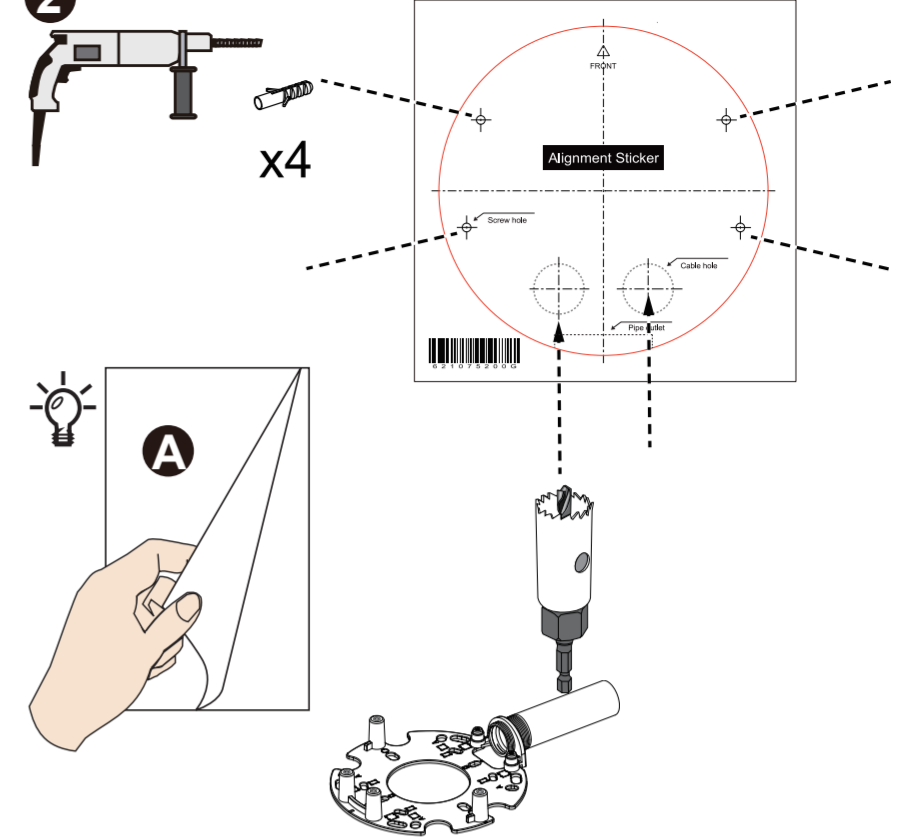


1

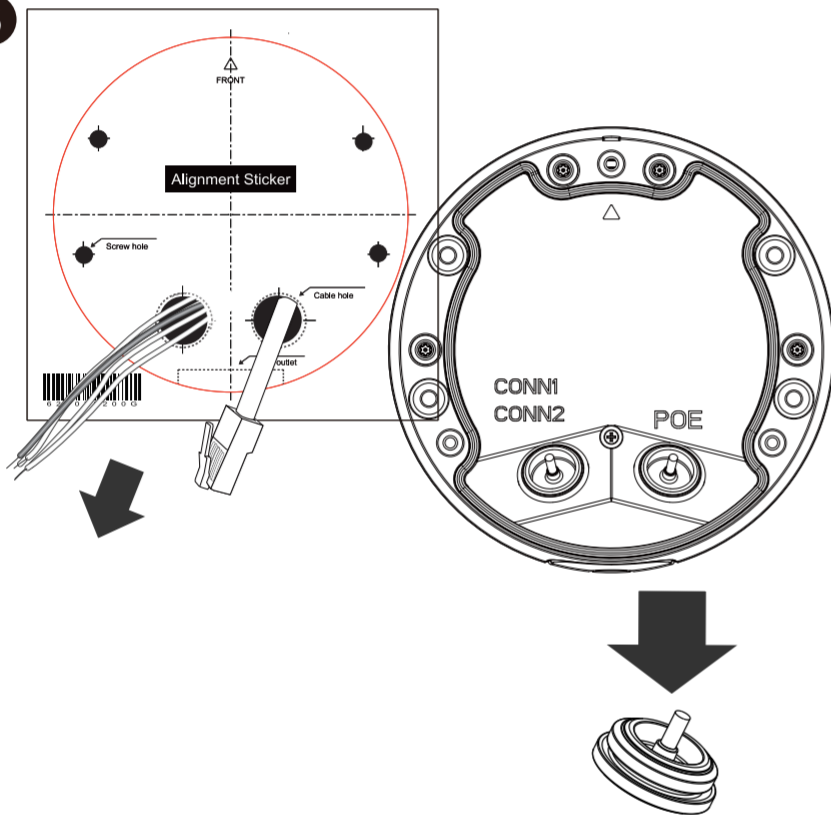


Consumption & Power Input
PoE 42.5-57V / 0.3-0.22A
12V / 1.2A
24V~0.88A 50-60Hz

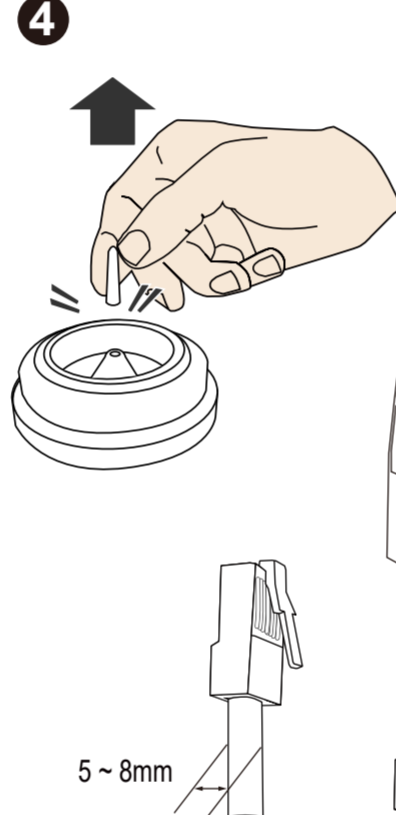
2



3



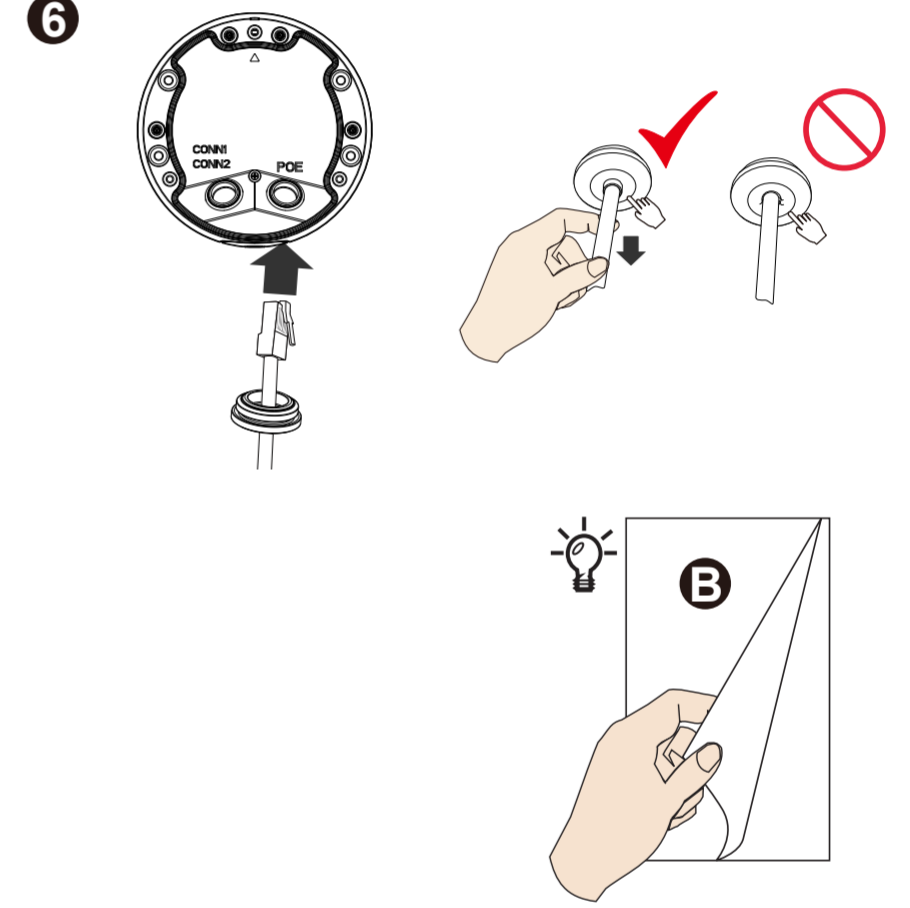
4



5

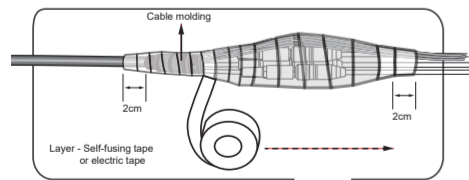


6

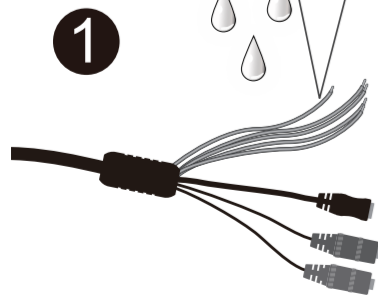


7

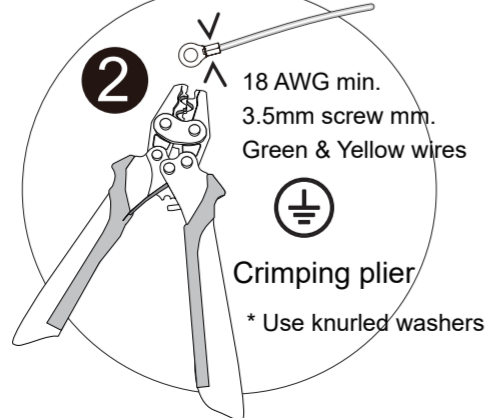
1. Stretch the waterproof tape by twice its length and wind around the cables.
2. The tape should overlap the cable joints by 20mm.
3. All connectors, whether they are used or not, should be waterproof.



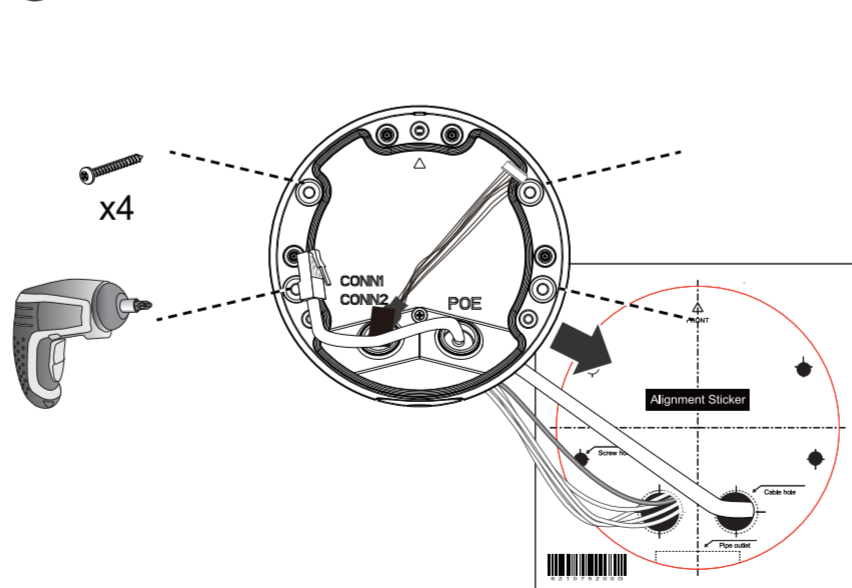
1



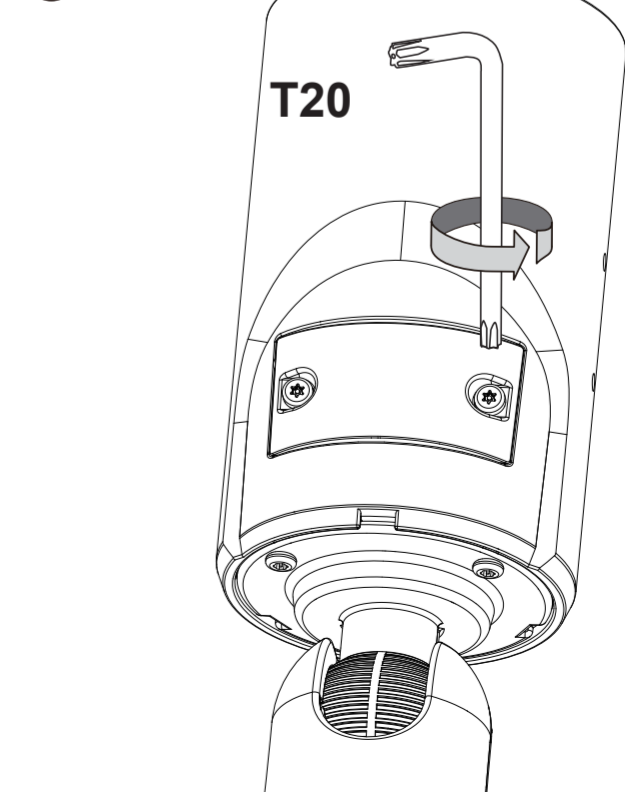
2



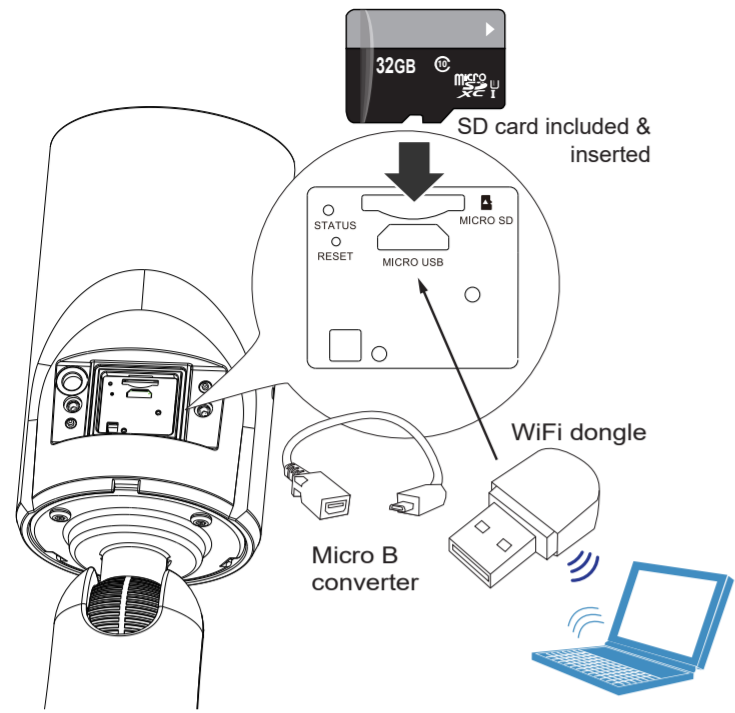
8



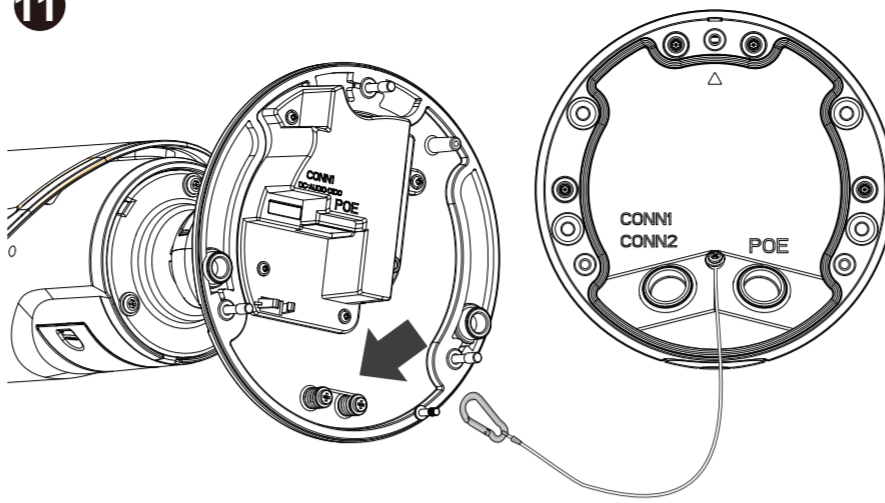
9



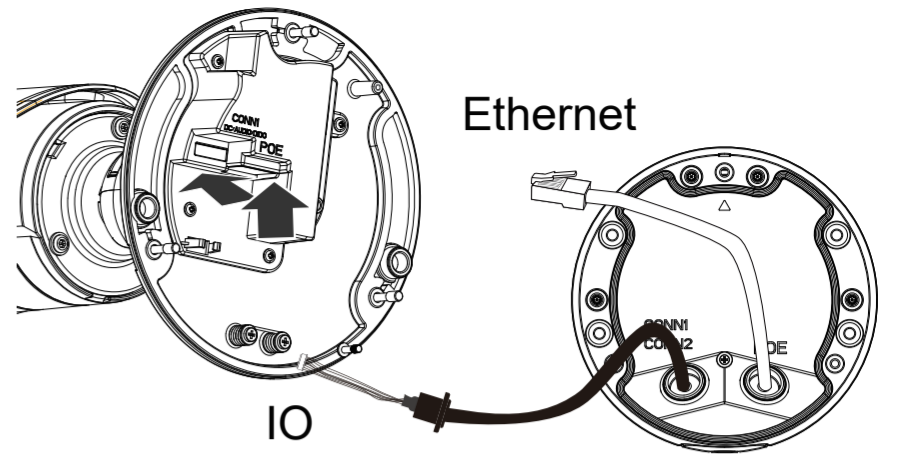
10



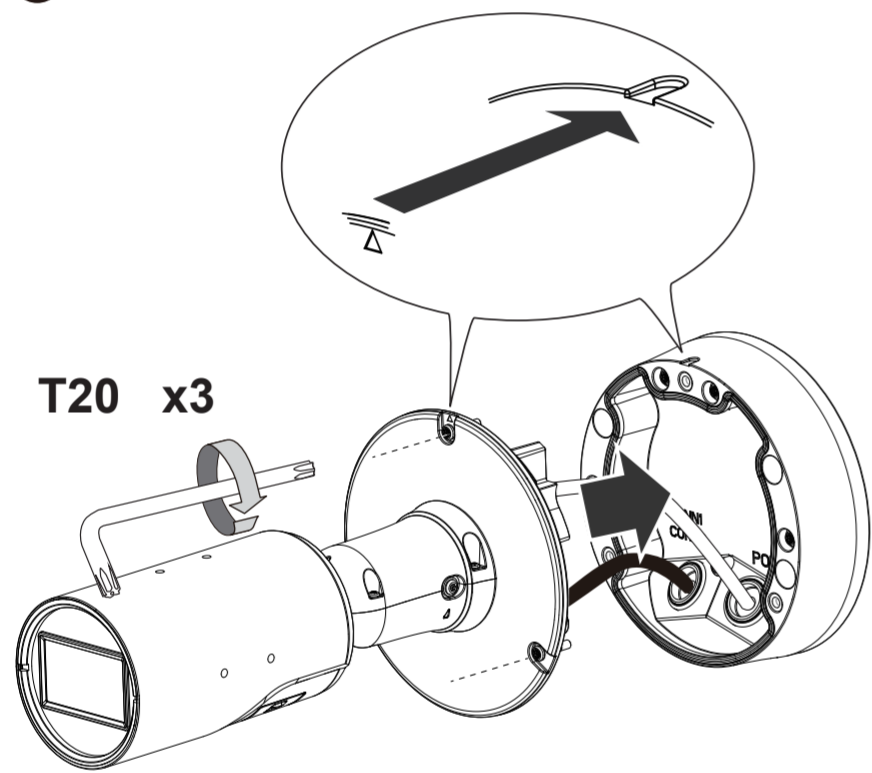
11



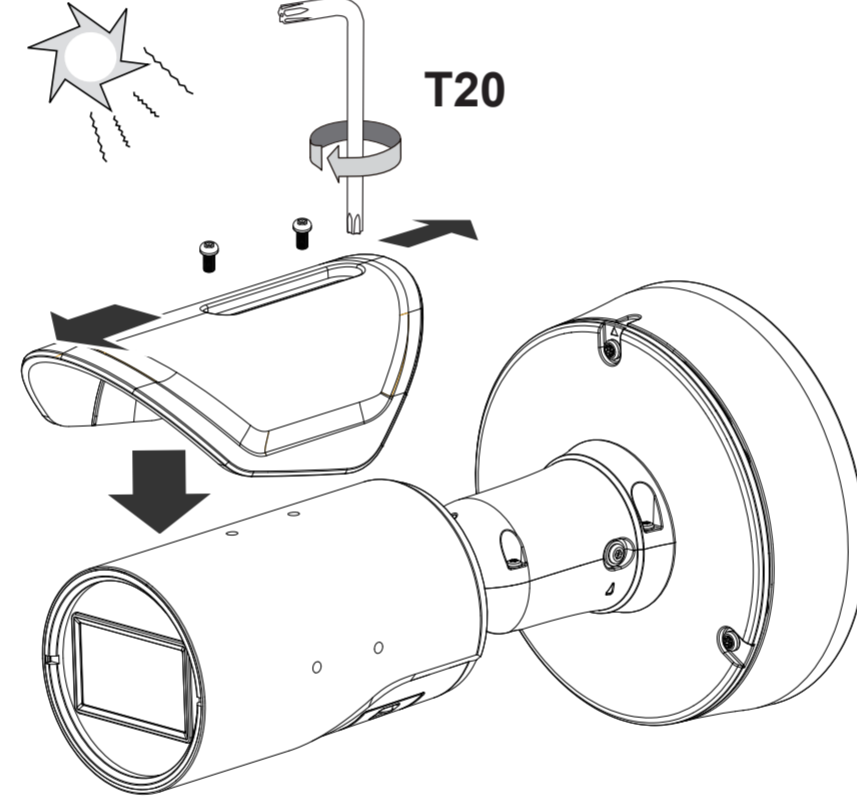
12



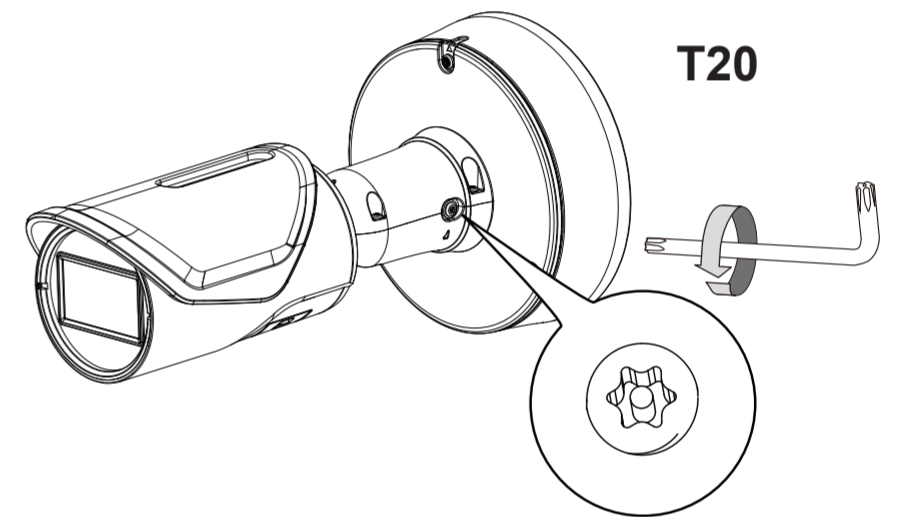
13



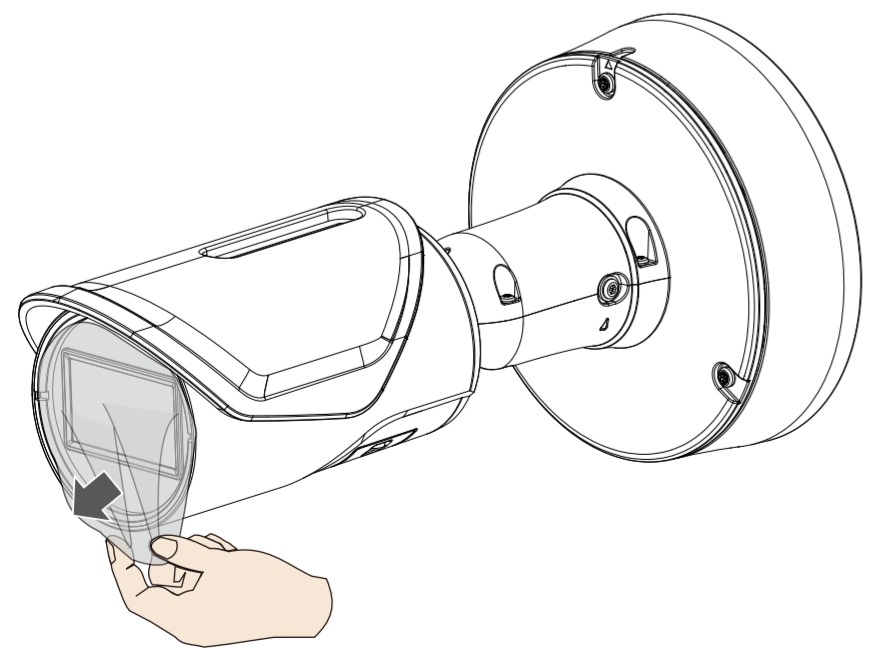
14



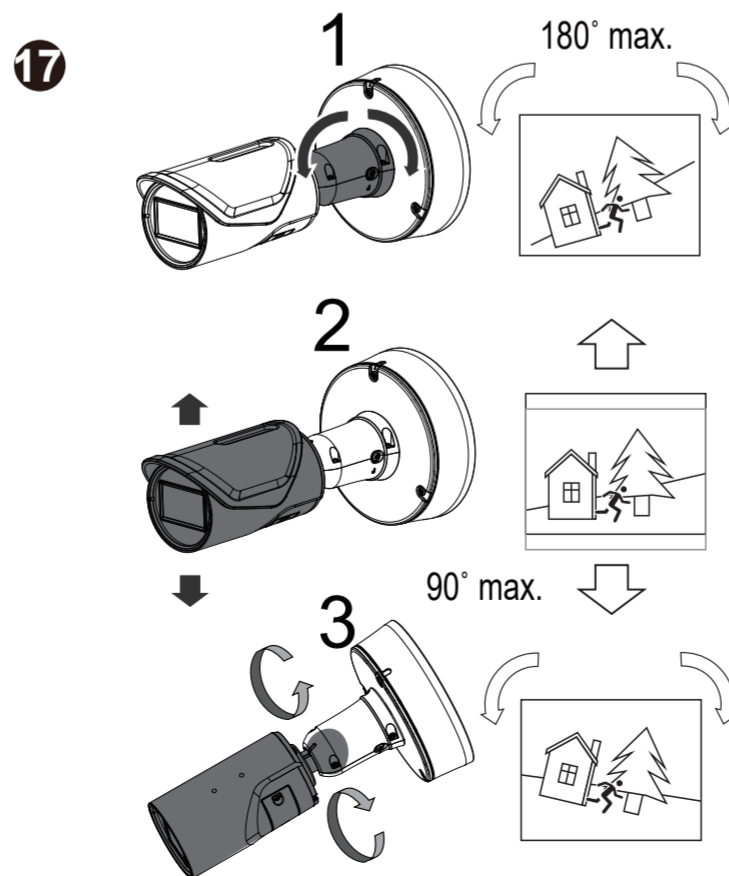
15



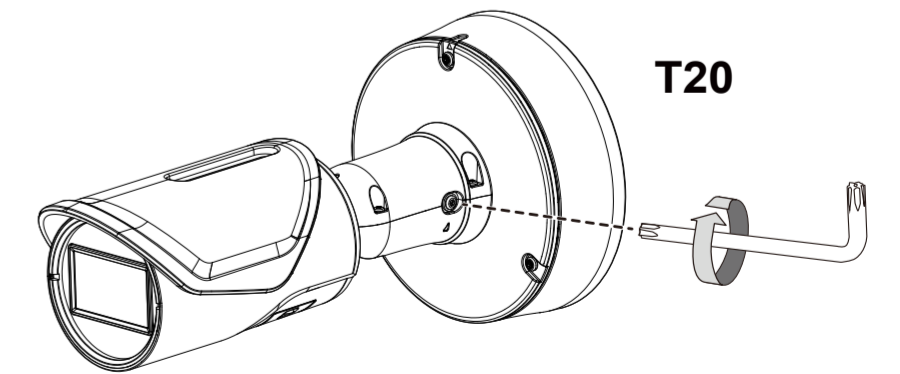
16



17

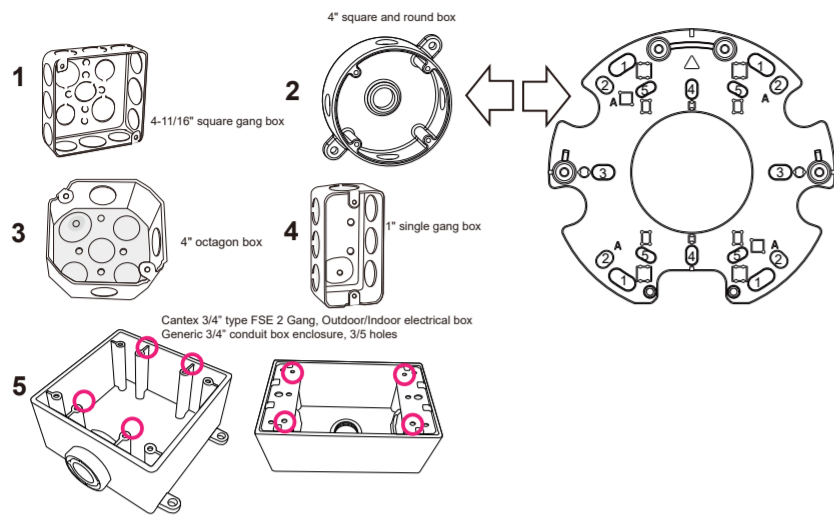


18

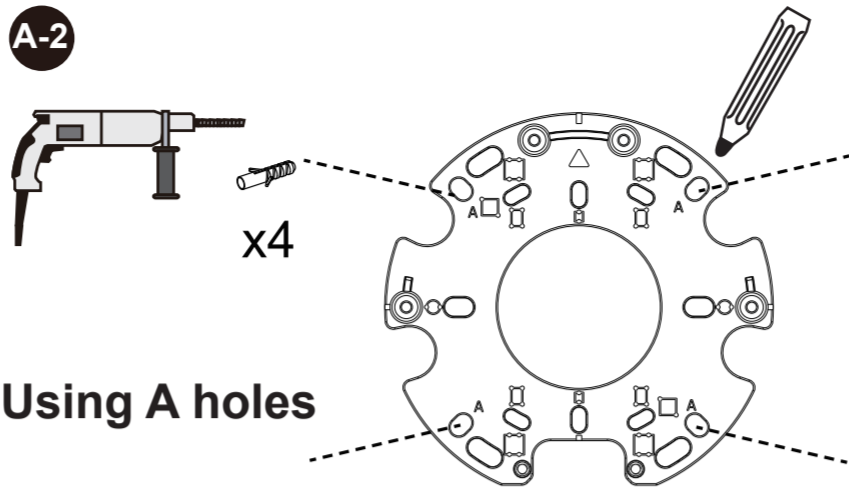




A-1

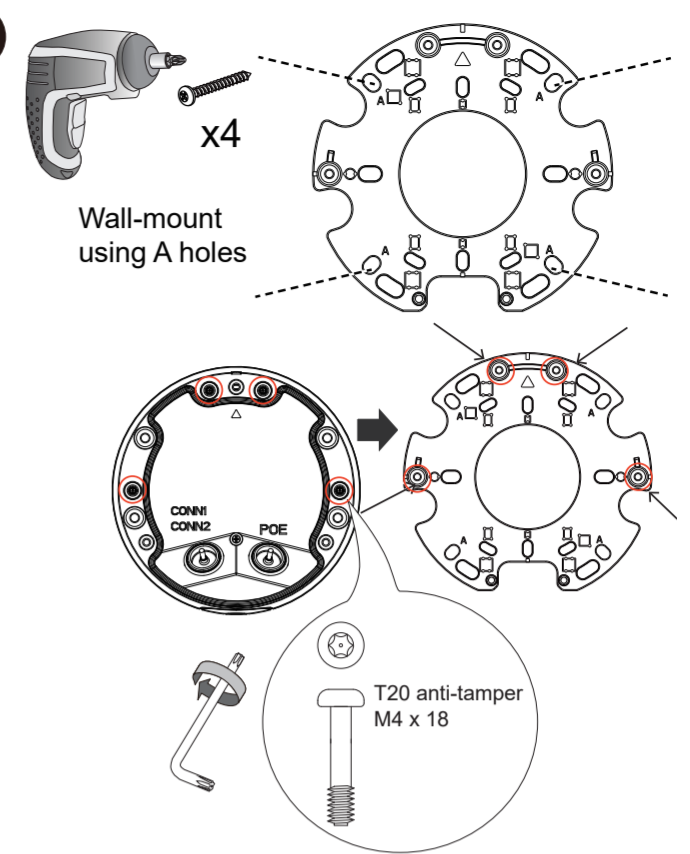


A-2

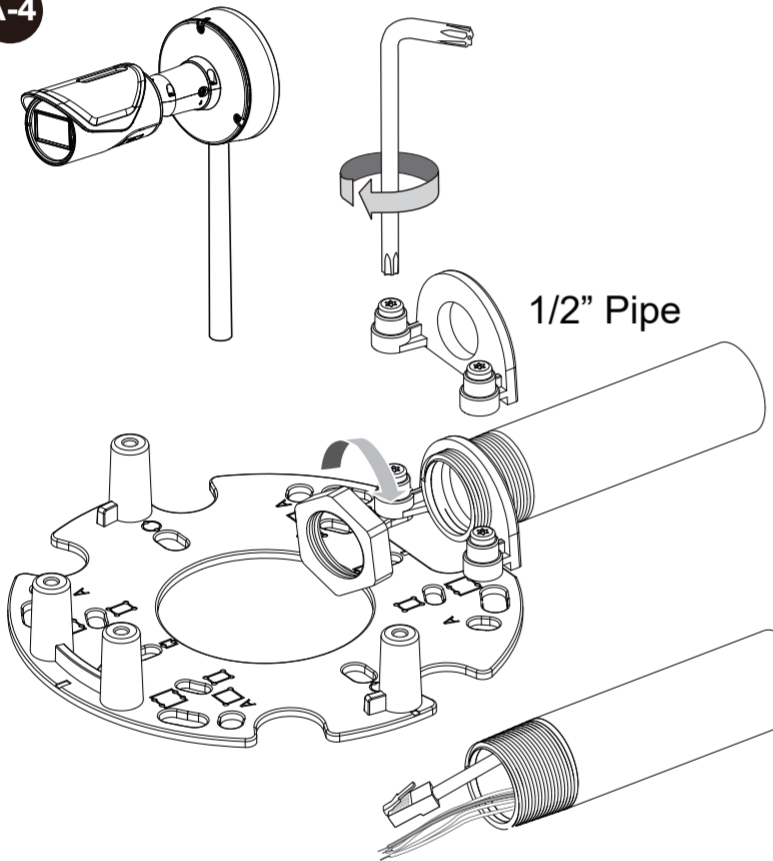


The 1/2" threaded pipe and hex nut are user-supplied.

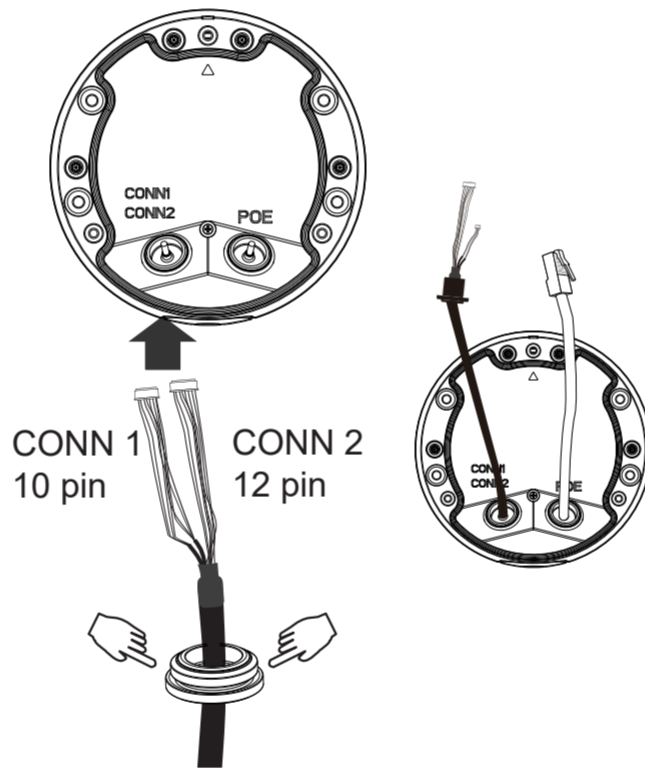
A-3



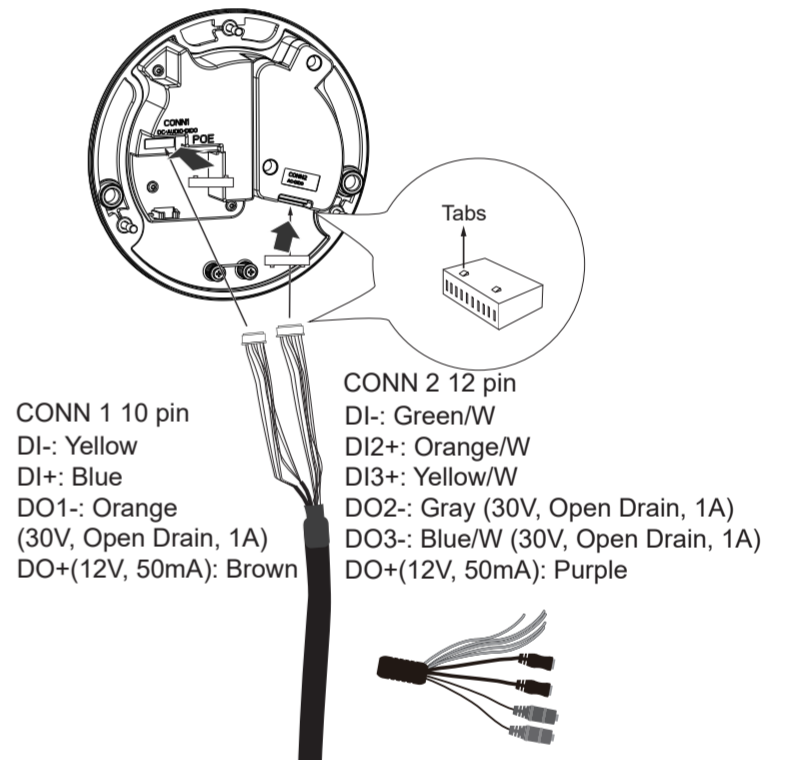
A-4



B-1



B-2



Software operation

1. When logging into the camera's webpage for the first time, you need to set a password according to the password rules.
2. After logging in to the camera web page, you can see the camera page.

軟體操作

1. 首次登入攝影機的網頁，需要依照密碼規範設定密碼。
2. 登入攝影機網頁後，即可看到攝影機頁面。

Function description of the icon buttons at the bottom of the page (from left to right)

1. Snapshot: Capture the current picture
2. Video recording: Manually start recording
3. Lower the volume
4. Increase the volume
5. Fullscreen

頁面下方圖示按鈕功能說明 (由左至右)

1. 快照：擷取當下圖片
2. 錄影：手動啟動錄影
3. 降低音量
4. 提高音量
5. 全螢幕

Please contact authorized distributors for warranty and RMA service.
Visit <https://www.vivotek.com/support/warranty-rma>

All specifications are subject to change without notice.
Copyright © 2024 VIVOTEK INC. All rights reserved.



1. After connecting the network camera to the PoE network switch, run the VIVOTEK Shepherd app to search for the IP location of the network camera. Then, enter the camera's webpage.
2. Please download the Shepherd program from the VIVOTEK website <https://www.vivotek.com/Shepherd>.

1. 請於 VIVOTEK 網頁 <https://www.vivotek.com/Shepherd> 下載 Shepherd 程式。
2. 將網路攝影機連接上 PoE 網路交換機後，執行晶睿通訊 Shepherd 程式搜尋該網路攝影機的 IP 位置，並進入該攝影機的網頁。

VIVOTEK

密碼規範

選擇以下規則制定您的密碼規範

- 8 字元長度，不支援空白鍵
- 至少包含 1 個字母字元
- 至少包含 1 個特殊字元 #, @, _
- 至少包含 1 個數字
- 至少包含 1 個小寫英文字母
- 至少包含 1 個大寫英文字母
- 不允許連續兩個相同字元

設定密碼

使用者名稱: root

使用者密碼:

確認使用者密碼:

- 啟用 HTTP 安全連線
- 啟用防盜攝影人公共資訊保護機制

* 密碼規範適用於所有連線

下一步 取消

VIVOTEK



VIVOTEK INC.
6F, No.192, Lien-Cheng Rd., Chung-Ho, New Taipei City, 235, Taiwan, R.O.C.
[T: +886-2-82455282] [F: +886-2-82455532] [E: sales@vivotek.com]

VIVOTEK USA, INC.
2050 Ringwood Avenue, San Jose, CA 95131
[T: 408-773-8686] [F: 408-773-8298] [E: salesusa@vivotek.com]

VIVOTEK Europe
Zandsteen 15, 2132 MZ Hoofddorp Delta Electronics
T: +31 (0)20 800 3817 E: sales@vivotek.com